

Freeze Stats



ACI/FS Series



Product Description

The ACI/FS Series controllers are Low Limit controllers also known as "Freeze Stats". These devices were designed for use on all HVAC equipment requiring low-temperature indication in ducts or on heating and cooling coils.

The FS-1, FS-3 and FS-5 are available in both manual and automatic reset versions. These units are responsive to the lowest temperature sensed along any 1 foot of the sensing element. They also have (1) set of SPDT contacts with an adjustable setpoint range of 14 to 54°F. The sensing element is made up of a vapor-filled, copper capillary tube measuring 5/64" in diameter with an overall length of 6, 10, and 20 feet depending on the model number.

The FS-2, FS-4, and FS-6 are available in both manual and automatic reset versions. These units are responsive to the lowest temperature sensed along any 1 foot of the sensing element. The FS-2, FS-4, and FS-6 has (2) sets of SPDT contacts with an adjustable setpoint range of 14 to 54°F. The sensing element is made up of a vapor-filled, copper capillary tube measuring 5/64" diameter with an overall length of 6, 10, or 20 feet depending on the model.

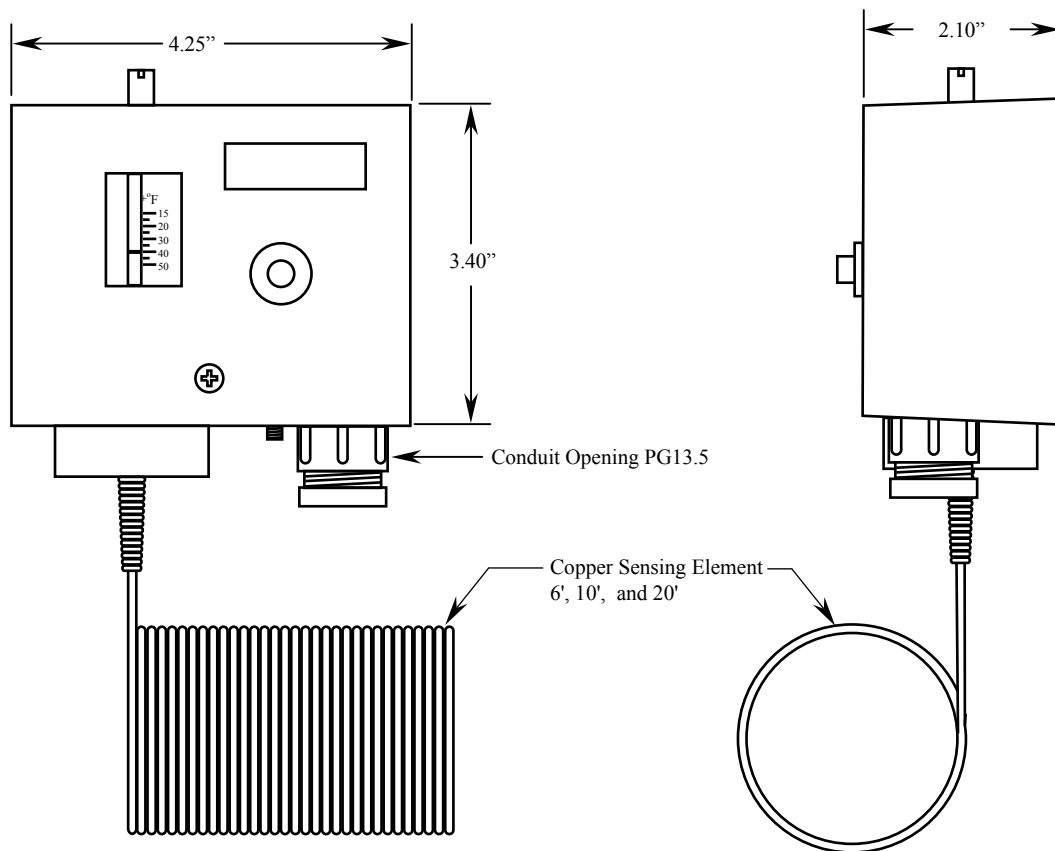
All of these units come with a two year factory warranty. Please contact ACI for more information regarding any of the ACI/FS series Freeze Stats.

Product Specifications

Input	Vapor Filled, Copper Capillary tube	Operating Temp. Range	14 to 194°F (-10 to 65°C)
Output	FS-1, FS-3, FS-5 Contacts (1 Set SPDT) FS-2, FS-4, FS-6 Contacts (2 Sets SPDT)	Maximum Operating Temp. of Sensor	392°F (200°C) max. 1 hour
Reset Type	Manual Reset	Setpoint Differential	1.8°F (1°C), Fixed for Auto Reset
Setpoint Range	14 to 54°F (-10 to 12°C) Field Adjustable	Setpoint Safety Lock	35.6°F (Factory Set), Field Adjustable
Housing Rating	NEMA1 (IP40)	Wire Size	Maximum 14 awg Wire
Approvals	CE	Contact Rating	250 VAC, 15 (8) A
Weight	2.0lbs (0.9Kg)	Approvals	14 to 54°F (-10 to 12°C) Field Adjustable

Dimensions

ACI/FS-1



Ordering Information

Model#
A / []
↑

- FS-1 ((1 set) SPDT Contacts, 20ft capillary, Manual reset)
- FS-1A ((1 set) SPDT Contacts, 20ft capillary, Auto reset)
- FS-2 ((2 sets) SPDT Contacts, 20ft capillary, Manual reset)
- FS-2A ((2 sets) SPDT Contacts, 20ft capillary, Auto reset)
- FS-3 ((1 set) SPDT Contacts, 10ft capillary, Manual reset)
- FS-3A ((1 set) SPDT Contacts, 10ft capillary, Auto reset)
- FS-4 ((2 sets) SPDT Contacts, 10ft capillary, Manual reset)
- FS-4A ((2 sets) SPDT Contacts, 10ft capillary, Auto reset)
- FS-5 ((1 set) SPDT Contacts, 6ft capillary, Manual reset)
- FS-5A ((1 set) SPDT Contacts, 6ft capillary, Auto reset)
- FS-6 ((2 sets) SPDT Contacts, 6ft capillary, Manual reset)
- FS-6A ((2 sets) SPDT Contacts, 6ft capillary, Auto reset)
- DBZ-05 Capillary Mounting Clips (Set of 6)
- DBZ-07 Housing Mounting Bracket

Example: □ A/FS1 or A/FS-1A or A/FS-2 or A/FS-2A