

GAS PRESSURE SWITCH MODEL - G SERIES



FEATURES

- Compact Design • Accurate • Adjustable Setpoints •
 - Manual or Automatic Reset • Ventless • Cost Effective Pricing •
 - NEMA 4 Packaging Available • Custom Design per OEM Specifications •
-
-

Antunes Controls' new line of Gas Pressure Switches monitors gas pressure and cuts off the electrical control circuit when pressure drops below or rises above the desired preset point. The gas pressure settings are adjustable and all models

are available in manual reset or automatic reset operation.

The switches are sturdy and constructed with a durable plastic electrical enclosure and a die-cast aluminum inlet base.

SPECIFICATIONS

Models

RESET

LGP-G Single Unit, Lo-Pressure
HGP-G Single Unit, Hi-Pressure

MODELS-RECYCLE

RLGP-G Single Unit, Lo-Pressure
RHGP-G Single Unit, Hi-Pressure

Electrical

RATINGS

10A @ 125 VAC
10A @ 250 VAC
1/3 HP, 125 & 250 VAC

ADJUSTABLE OPERATING PRESSURE

.5 W.C. to 4 psi (different ranges)

SURGE PRESSURE: 15 psi (1 Bar)

MAX. OPERATING PRESSURE: 6 psi (400 mbar)

AMBIENT OPERATING TEMPERATURE:

-40° to 140°F (-40° to 60°C)

Field wiring to be rated @ 60°C for maximum 140°F ambient.

LOW RANGES AVAILABLE

	Part No.	W.C.	mbar
LGP-G	8103116101	.5" - 4"	1-10
	8103116202	1" - 20"	3-50
	8103116303	5" - 30"	13-75
	8103116407	7" - 55"	17-136
RLGP-G	8104116102	.5" - 4"	1-10
	8104116203	1" - 20"	3-50
	8104116304	5" - 30"	13-75
	8104118005	1-4	.07-.28

HIGH RANGES AVAILABLE

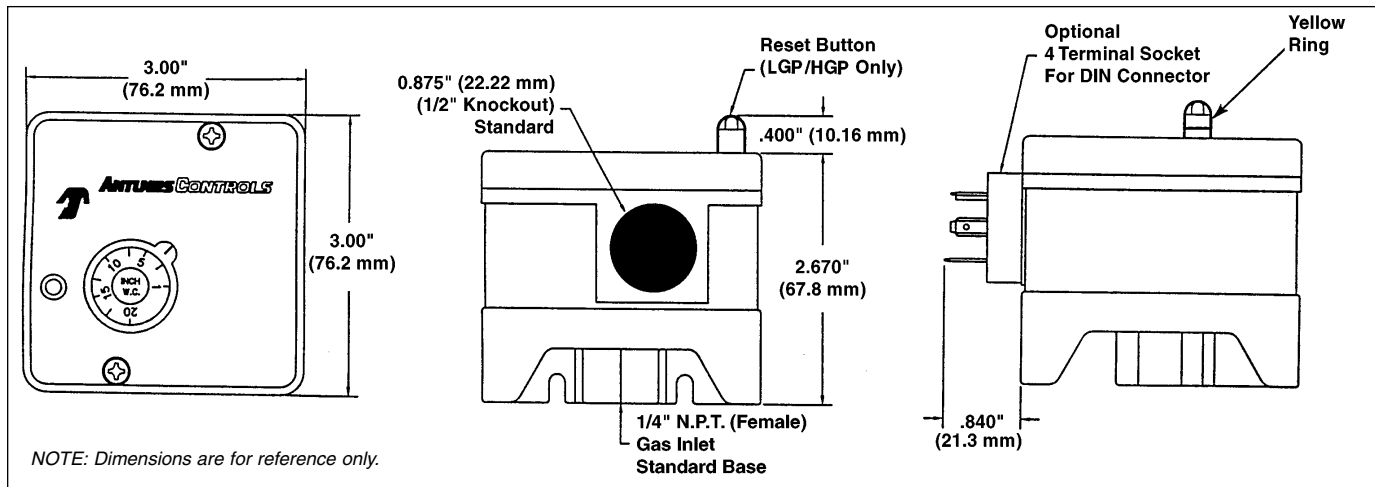
	Part No.	W.C.	mbar
HGP-G	8101111202	2" - 20"	5-50
	8101111303	8" - 35"	18-87
	8101111407	10" - 60"	25-150
RHGP-G	8102111102	.8" - 4"	3-10
	8102111203	2" - 20"	5-50
	8102111304	5" - 35"	13-87
	8102113005	1-4	.07-.28

OPTIONAL (CONTACT ANTUNES CONTROLS)

NEMA 4 (IP65) Kit available, Part No. 808000404
4-Pin DIN Connector
Neon Lamp Indicator
Side Mounting

Shipping Weight: .5 lbs. (.225 kilos)

DIMENSIONS



Limitation of Liability. If it is understood and agreed that seller's liability whether in contract, in tort, under any warranty, in negligence or otherwise, shall not exceed the return of the amount of the purchase price paid by purchaser and under no circumstances shall seller be liable for special, indirect or consequential damages. The price stated for the equipment is a consideration in limiting seller's liability. No action, regardless of form, arising out of the transactions may be brought by purchaser more than one year after the cause of action has accrued.