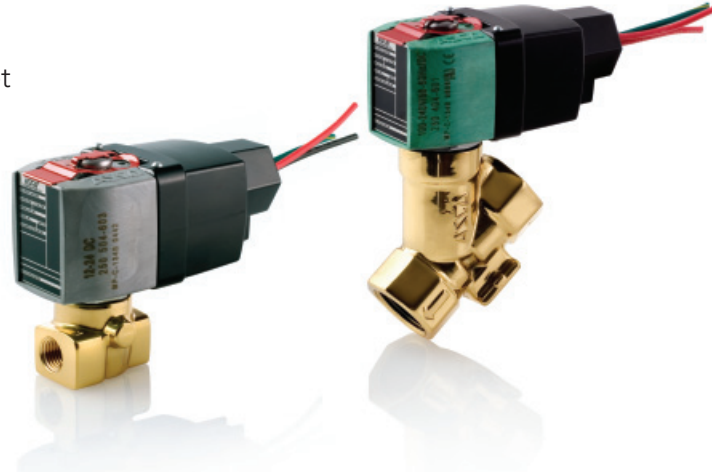


2-Way

- Two-way (2/2) Next Generation solenoid valves have one inlet port and one outlet port.
- Control of air, water, light oil, and non-corrosive media.
- Normally closed (opens when energized) and normally open (closed when energized) operation.
- Pipe sizes – 1/4 to 2 inch.



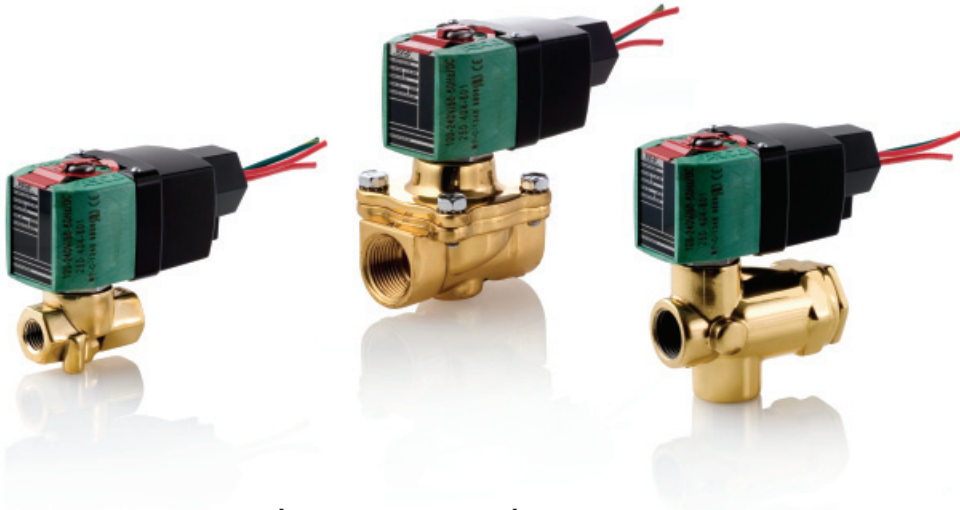
Specifications

Pipe Size (ins.)	Orifice Dia. (ins.)	Cv Flow	Operating Pressure Differential (psi)				Max Fluid Temp. °F	Brass	Const. Ref.	Agency		Stainless Steel	Const. Ref.	Agency		Wattage AC/DC	Approx. Shipping Weight (lbs.)
			Max. AC/DC							UL	UL			UL	UL		
			Min.	Air-Inert Gas	Water	Light Oil											
General Service - Normally Closed																	
1/4	1/8	0.34	0	500	500	330	180	8262P232	1	○	-	-	-	2	2.4		
1/4	5/32	0.47	0	290	250	250	180	8262P202	1	○	8262P220	1	○	2	2.4		
1/4	7/32	0.72	0	145	125	120	180	8262P208	1	○	8262P226	1	○	2	2.4		
1/4	9/32	0.96	0	90	85	80	180	8262P212	1	○	8262P230	1	○	2	2.4		
1/4	5/16	1.5	10	1500	1500	1500	180	8223P025	2	-	-	-	-	2	2.9		
3/8	5/32	0.52	0	150	150	100	180	8263P200	3	○	-	-	-	2	1.8		
3/8	9/32	0.85	0	80	80	70	180	8263P210	3	○	-	-	-	2	2.3		
3/8	5/16	1.5	10	1500	1500	1500	180	8223P027	2	-	-	-	-	2	2.9		
3/8	5/8	3	0	150	150	-	180	8210P093	4	○	-	-	-	2	3.2		
1/2	3/8	3.2	25	1500	1500	1500	180	8223P003	5	-	8223P010	6	-	2	3.4		
1/2	5/8	4	0	150	150	-	180	8210P094	4	○	-	-	-	2	3.2		
1/2	5/8	4	0	150	150	125	180	-	-	-	8210P087	7	●	2	3.5		
1/2	5/8	4	5	300	300	300	180	8210P007	4	○	-	-	-	2	3.2		
3/4	5/8	4.5	0	150	150	125	180	-	-	-	8210P088	7	●	2	3.5		
3/4	3/4	5	0	150	150	-	180	8210P095	7	○	-	-	-	2	3.4		
3/4	3/4	5	0	3	3	-	180	8030P003	8	○	-	-	-	2	3.4		
3/4	3/4	7.8	25	750	750	750	180	8223P005	9	-	-	-	-	2	4.4		
1	1	13	5	150	150	100	180	8210P004	10	○	-	-	-	2	5.4		
1 1/4	1 1/8	15	5	150	150	100	180	8210P008	10	○	-	-	-	2	6.6		
1 1/2	1 1/4	22.5	5	150	150	100	180	8210P022	11	○	-	-	-	2	7.7		
2	1 3/4	43	5	150	125	90	180	8210P100	12	●	-	-	-	2	9.9		
General Service - Normally Open																	
1/4	3/32	0.17	0	300	250	230	140	8262P261	13	●	-	-	-	2	2.6		
1/4	1/8	0.35	0	130	110	100	180	8262P262	13	●	-	-	-	2	2.6		
1/4	5/32	0.49	0	85	75	60	180	8262P263	14	●	-	-	-	2	2.6		
1/4	9/32	0.96	0	30	20	20	180	8262P265	14	●	-	-	-	2	2.6		
3/8	5/8	3	0	150	150	125	180	8210P033	15	●	-	-	-	2	3.4		
1/2	5/8	4	0	150	150	125	180	8210P034	15	●	-	-	-	2	3.4		
3/4	3/4	5.5	0	150	150	125	180	8210P035	16	●	-	-	-	2	4.2		
3/4	3/4	5.5	0	2	2	-	180	8030P083	17	●	-	-	-	2	3.4		

○ = Safety Shut-off Valve ● = General Purpose Valve

Standard: Watertight, Types 1, 2, 3, 3S, 4, and 4X.

Optional: Class I, Division 2 for Hazardous Locations and Watertight, Types 3, 3S, 4, 4X. (To order, add prefix "EE" to catalog number.)



Optional Features Chart

Pipe Size (ins.)	Orifice Dia. (ins.)	Base Catalog Number		Resilient Materials								Other		Standard Rebuild Kit		
		Brass	Stainless Steel	NBR	FKM	EPDM	Neoprene	Oxygen Service	PTFE ②	Urethane	Vacuum	Manual Operator	Mounting Bracket	Brass AC/DC	Stainless Steel AC/DC	
1/4	3/32	8262P261	-	-	V	E	J	N	T	●	-	-	-	-	322777	-
1/4	1/8	8262P232	-	●	V	E	J	N	T	-	-	MS ⑤	MB	322595	-	
1/4	1/8	8262P262	-	●	V	E	J	N	T	-	-	-	-	322778	-	
1/4	5/32	8262P202	8262P220	●	V	E	J	N	T	-	-	MS	MB	322595	322596	
1/4	5/32	8262P263	-	●	V	E	J	N	T	-	-	-	-	322778	-	
1/4	7/32	8262P208	8262P226	●	V	E	J	N	T	-	-	MS	MB	322595	322596	
1/4	9/32	8262P212	8262P230	●	V	E	J	N	T	-	VH	MS	MB	322595	322596	
1/4	9/32	8262P265	-	●	V	E	J	N	T	-	-	-	-	322778	-	
1/4	5/16	8223P025 ④	-	●	-	-	-	-	-	-	-	-	-	322815	-	
3/8	5/32	8263P200	-	●	V	E	J	N	T	-	-	-	-	322806	-	
3/8	9/32	8263P210	-	●	V	E	J	N	T	-	-	-	-	322807	-	
3/8	5/16	8223P027 ④	-	●	-	-	-	-	-	-	-	-	-	322815	-	
3/8	5/8	8210P093	-	●	V	E	J	N	-	-	VH	MO	MB	322670	-	
3/8	5/8	8210P033	-	●	V	E	J	N	-	-	VH	-	MB	322770	-	
1/2	3/8	8223P003 ④	8223P010 ①	●	-	-	-	-	-	-	-	-	-	322816	322817	
1/2	5/8	8210P094	-	●	V	E	J	N	-	-	VH	MO	MB	322670	-	
1/2	5/8	8210P034	-	●	V	E	J	N	-	-	VH	-	MB	322770	-	
1/2	5/8	-	8210P087	●	V	E	J	N	-	-	-	MO	MB	-	322676	
1/2	5/8	8210P007	-	●	V	E	J	N	-	-	-	MO ③	MB	322654	-	
3/4	5/8	-	8210P088	●	V	E	J	N	-	-	-	MO	MB	-	322676	
3/4	3/4	8210P095	-	●	V	E	J	N	-	-	VH	MO	MB	322673	-	
3/4	3/4	8030P003	-	●	V	E	J	N	-	-	-	MO	MB	322758	-	
3/4	3/4	8210P035	-	●	V	E	J	N	-	-	VH	-	MB	322771	-	
3/4	3/4	8030P083	-	●	V	E	J	N	-	-	-	-	MB	322763	-	
3/4	3/4	8223P005 ④	-	●	-	-	-	-	-	-	-	-	-	322818	-	
1	1	8210P004	-	●	V	E	J	N	-	-	-	MO	-	322677	-	
1 1/4	1 1/8	8210P008	-	●	V	E	J	N	-	-	-	MO	-	322680	-	
1 1/2	1 1/4	8210P022	-	●	V	E	J	N	-	-	-	MO	-	322680	-	
2	1 3/4	8210P100	-	●	V	E	J	N	-	-	-	MO	-	322682	-	

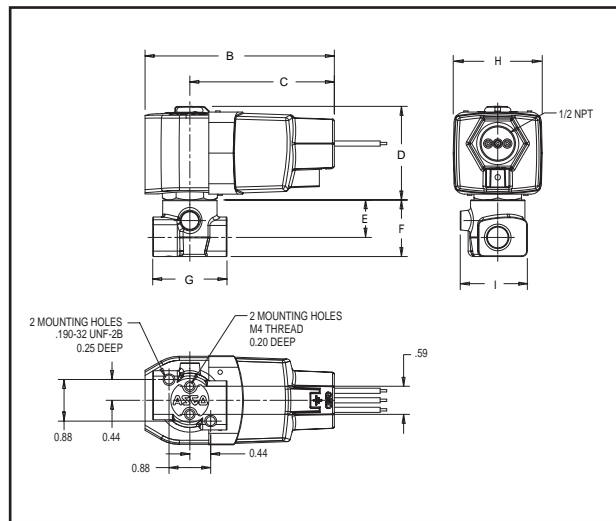
● = Standard. Other options may be available. All option combinations may not be available. Please consult your local ASCO contact.
 ① Valve contains PTFE main disc; ② Pressure rating reduced by 25%; ③ Pressure rating limited to 250 psi; ④ Valve contains Nylon 11 piston.
 ⑤ Pressure rating limited to 400 psi.



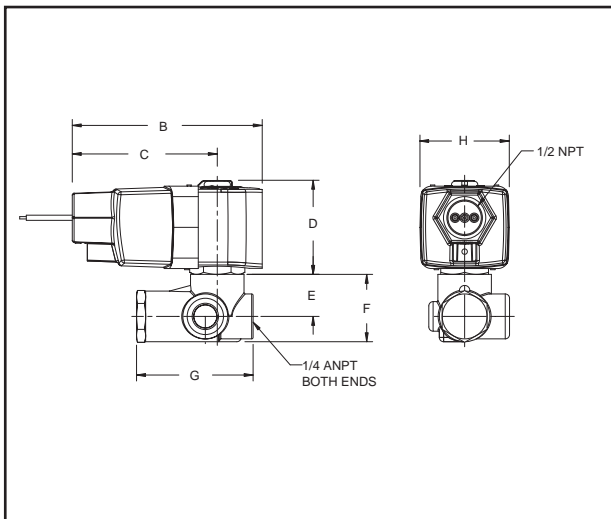
Dimensions: inches

Const. Ref.	B	C	D	E	F	G	H	I
1	4.00	3.04	1.97	0.79	1.19	1.56	1.87	1.41
2	4.00	3.04	1.97	0.88	1.41	2.44	1.87	-
3	4.00	3.04	1.97	0.67	1.25	1.88	1.87	1.15
4	4.00	3.04	1.97	1.28	1.84	2.75	1.87	2.28
5	4.00	3.04	1.97	1.05	2.31	-	1.87	3.03
6	4.00	3.04	1.97	1.13	2.31	-	1.87	3.13
7	4.00	3.04	1.97	1.46	2.19	2.81	1.87	2.28
8	4.00	3.04	1.97	1.44	2.13	2.81	1.87	2.28
9	4.00	3.04	1.97	1.61	3.03	-	1.87	3.60
10	4.00	3.04	1.97	2.21	3.67	3.75	1.87	-
11	4.00	3.04	1.97	2.36	4.14	4.38	1.87	3.92
12	4.00	3.04	1.97	2.75	5.52	5.06	1.87	4.72
13	4.00	3.04	1.97	0.79	1.19	1.25	1.87	1.19
14	4.00	3.04	1.97	0.79	1.19	1.56	1.87	1.19
15	4.00	3.04	1.97	1.72	2.18	2.75	1.87	2.28
16	4.00	3.04	1.97	1.88	2.57	2.81	1.87	2.28
17	4.00	3.04	1.97	0.85	1.81	2.81	1.87	2.28

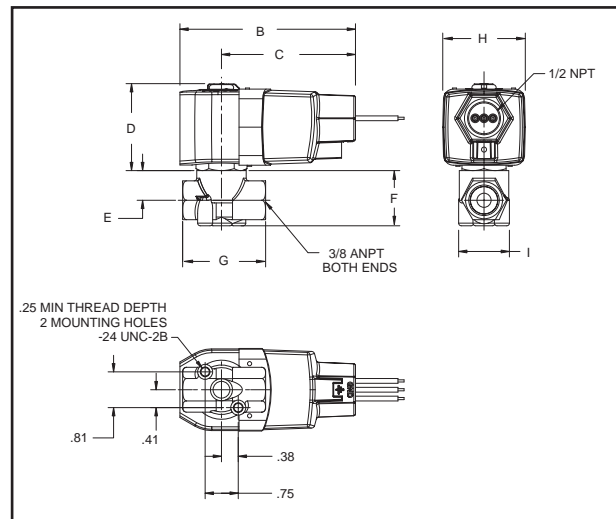
Const. Ref. 1



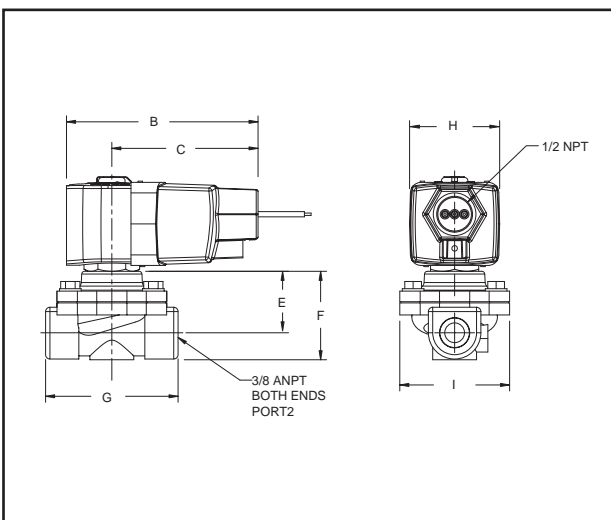
Const. Ref. 2



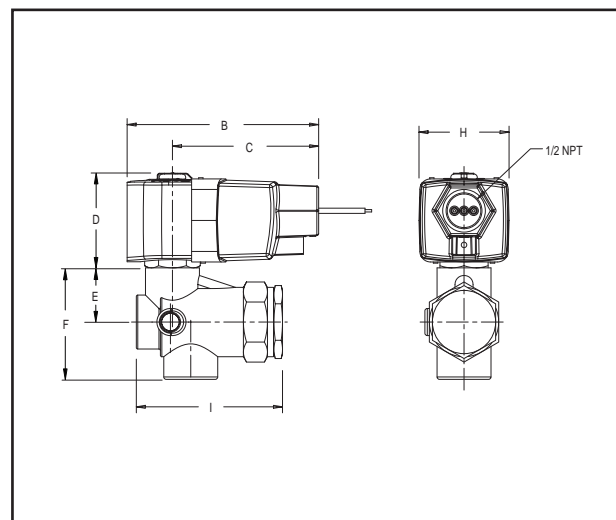
Const. Ref. 3



Const. Ref. 4, 7, 15, 16, 17

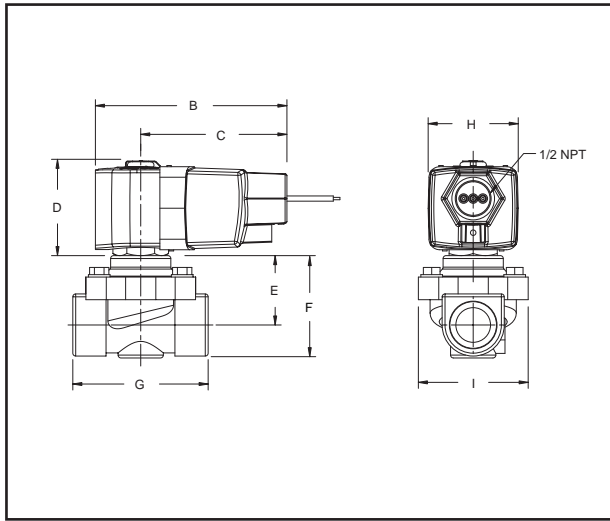


Const. Ref. 5, 6, 9

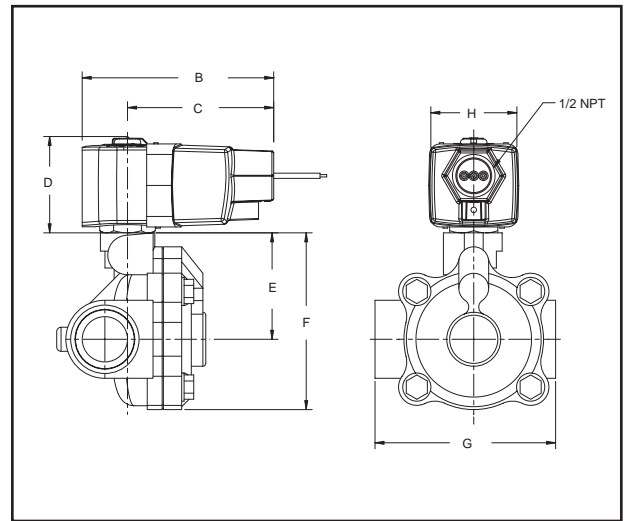


Dimensions: inches

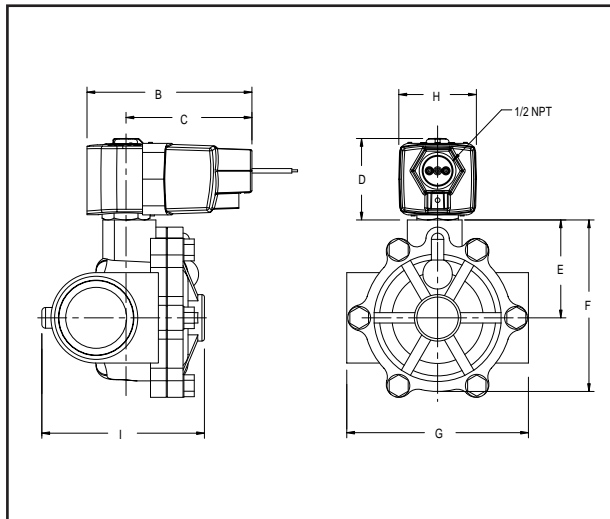
Const. Ref. 8



Const. Ref. 10



Const. Ref. 11, 12



Const. Ref. 13, 14

