



Features

- 2-Way Normally Closed operation.
- For gas pilot control of commercial and industrial gas burners.
- Direct lift with resilient soft seating for tight shutoff.
- Valves provided with 1/8" NPT downstream pipe tap with plug for routine testing.
- Suitable for ambient temperatures up to 175°F.

Construction

Valve Parts in Contact with Fluids	
Body	Aluminum
Seals and Disc	NBR
Core Tube	305 Stainless Steel
Core and Plugnut	430F Stainless Steel
Springs	302 Stainless Steel
Shading Coil	Copper
Pipe Plug	Zinc-Plated Steel

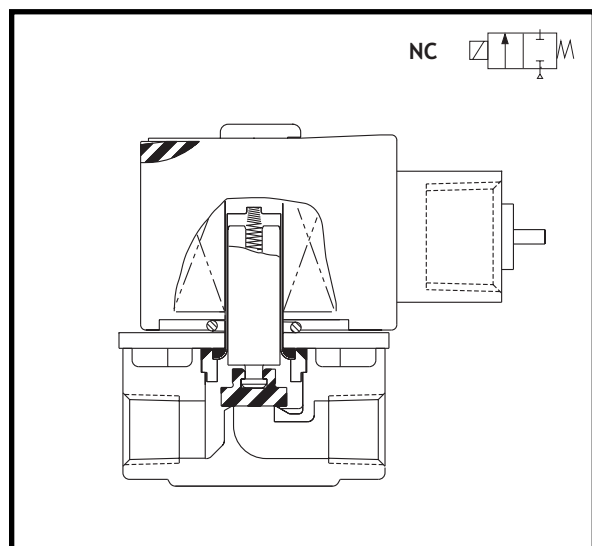
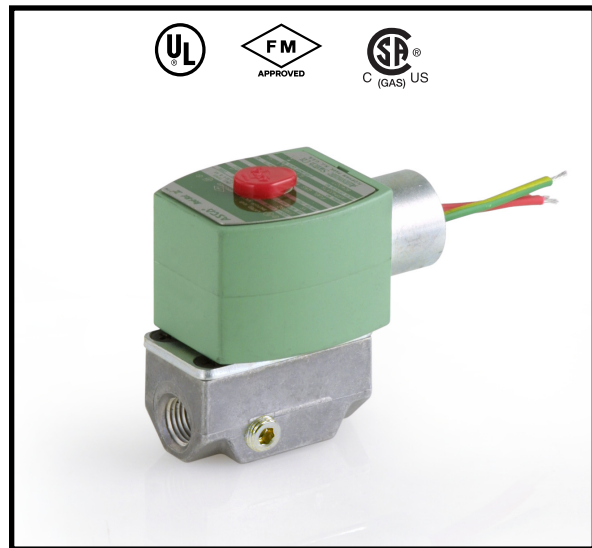
Electrical

Standard Coil Class of Insulation	Watt Rating and Power Consumption			Ambient Temp. °F	Spare Coil Family	
	AC				General Purpose	Explosionproof
	Watts	VA Holding	VA Inrush		AC	AC
F	6.1	16	40	-40 to 175	238210	238214

Standard Voltages: 24, 120, 240 volts AC, 60 Hz (or 110, 220 volts AC, 50 Hz).

Solenoid Enclosures

Standard: Watertight; Types 1, 2, 3, 3S, 4, and 4X with 1/2" conduit hub.



Approvals

UL listed to standard 429 "Electrically Operated Valves."

FM Approved to Class 7400 "Liquid and Gas Safety Shutoff Valves."

CSA Certified to:

- 1) Standard C22.2 No. 139 "Electrically Operated Valves," File 010381.
- 2) Automatic Gas Valves Z21.21 (6.5), File 112872
- 3) Automatic Gas Safety Shutoff Valves C/I (3.9), File 112872.

Specifications

Pipe Size (ins.)	Orifice Size (ins.)	CV Flow	Gas Capacity ① Btu/hr.	Operating Pressure Differential (psi)		Max. Fluid Temp. °F	Catalog Number			Const. Ref.	Approvals			Wattage ②	Approx. Shipping Weight (lbs)
				Min.	Max.		24V 60 Hz	110-120V 50-60 Hz	220-240V 50-60 Hz		UL	FM	CSA		
COMBUSTION (Fuel Gas) - NORMALLY CLOSED															
1/8	5/16	1.0	53,700	0	15	125	SV311A01N6AF5	SV311A02N6AF5	SV311A04N6AF5	1	○	○	○	6.1	1.8
1/4	5/16	1.1	59,000	0	15	125	SV311A01N6BF5	SV311A02N6BF5	SV311A04N6BF5	1	○	○	○	6.1	1.8
3/8	5/16	1.2	64,400	0	15	125	SV311A01N6CF5	SV311A02N6CF5	SV311A04N6CF5	1	○	○	○	6.1	1.8

○ = Safety Shutoff Valve. ① 1" W.C. Drop @ 2" W.C. Inlet Pressure, 1, 000 Btu/cu.ft. or more, 0.64 Specific Gravity Gas; ② On 50 Hz service watt rating is 8.1.

Dimensions: inches

