



## Features & Options

- Patented BAPI Enclosure Styles
- Humidity Only or Temp./Humidity Combo
- 2% RH Accuracy
- Optional Display, Temperature Setpoint, Override and Communications Jack
- Full-range Temperature Compensation of %RH Signal
- Two Year Warranty

The BAPI-Stat 4 Style and BAPI-Stat 2 Style room units are available as humidity only sensors or as combination temperature and humidity sensor.

They are available with optional display, temperature setpoint adjustment, occupant override and three styles of communications jack.

**For detailed specs on the individual Sensors & Transmitters, turn to the Sensors section.**



BAPI-Stat 4 Units



BAPI-Stat 2 Style Units

## Specifications

### Power:

- 10 to 35 VDC for 4 to 20 mA Output
- 10 to 40 VDC or 12 to 24 VAC for 0 to 5 VDC Output
- 15 to 40 VDC or 15 to 28 VAC for 0 to 10 or 2 to 10 VDC Output (VAC power requires a separate pair of shielded wires)

### Power Consumption:

- 20 mA max. for 4 to 20 mA Output
- 4 mA max. for 0 to 5, 0 to 10 and 2 to 10 VDC Output
- 0.1 VA max. for 0 to 5, 0 to 10 and 2 to 10 VDC Output

### RH/Temp Sensor Construction: Communicating Integrated Circuit

- Humidity: Capacitive Polymer,  $\pm 2\%$  RH (10% to 90%) @25°C, Fully Compensated
- Temperature: Semi-conductor Band Gap,  $\pm 0.3^\circ\text{C}$  @ 25°C

### Field Calibration Adjustment:

- Potentiometer:  $\pm 5\%$  in 0.1% increments (Factory Calibrated)

### Optional Passive Temperature Sensor Accuracy:

- $\pm 0.36^\circ\text{F}$  Therm.,  $\pm 0.5^\circ\text{F}$  RTD, Higher accuracy available on request

### Wiring: 2 to 6 pair of 16 to 22 AWG\*\*

### Mounting: Standard 2"x4" J-box or drywall mount - screws provided

### Environmental Operation Range:

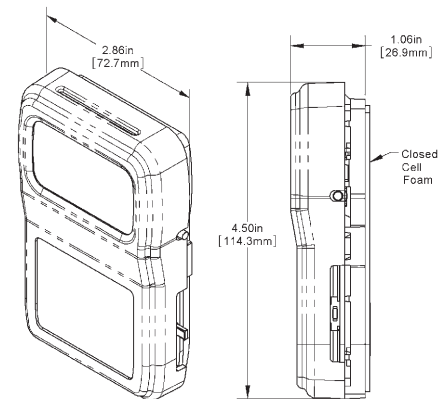
- Temperature: 32 to 122 °F (0 to 50 °C)
- Humidity: 0 to 95%, non-condensing

### Material and Rating: ABS Plastic, UL 94, V-0

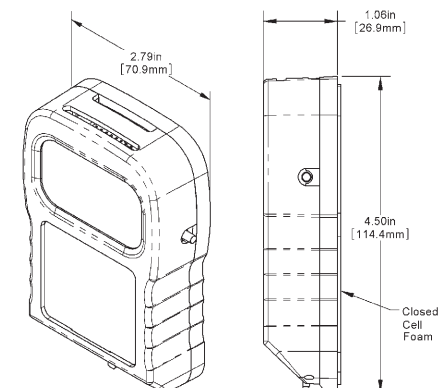
### Agency: RoHS and CE\*

\*Units with passive Thermistors 20KΩ and smaller, or no temperature sensor, are CE compliant.

\*\*BAPI recommends that you do not run wiring for the room units in the same conduit as line voltage wiring or with wiring used to supply highly inductive loads such as motors, generators and coils.



BAPI-Stat 4



BAPI-Stat 2





# BAPI-Stat 4™ and BAPI-Stat 2™ Style Units

Rev. 07/17/15

## Humidity or Combination Temp/Humidity Sensors

Ordering Information		BAPI-Stat 4 or BAPI-Stat 2 Style Room Sensor, Humidity only or Temperature/Humidity Combination										
BA/	Sensor Type Skip if not required Use the designator number (shown to the left in bold) to indicate the sensor											
##-	<b>THERMISTORS</b>				<b>RTDs</b>							
	1.8K	1.8K Ω @ 25 °C	1K [375]	1K Ω Platinum @ 0 °C, 3.75 Ω/°C temp. coeff.								
	3K	3K Ω @ 25 °C	1K	1K Ω Platinum @ 0 °C, 3.85 Ω/°C temp. coeff.								
	3.25K	3.25K Ω @ 25 °C (T30 type)	2K	2K Ω Silicon @ 20 °C, 8 Ω/°C temp. coeff.								
	3.3K	3.3K Ω @ 25 °C										
	10K-2	10K Ω @ 25 °C										
	10K-3	10K Ω @ 25 °C										
	10K-3[11K]	5,238 Ω @ 25 °C	<b>SEMICONDUCTORS</b>									
	20K	20K Ω @ 25 °C	334	LM334 Semiconductor								
	50K	50K Ω @ 25 °C	592	AD592 Semiconductor, 273 μA @ 0 °C								
	100K	100K Ω @ 25 °C										
	<b>Humidity Transmitter Must select one</b>											
	H220	±2% Humidity Transmitter, 4 to 20 mA output <sup>1</sup>										
	H205	±2% Humidity Transmitter, 0 to 5 VDC output										
	H210	±2% Humidity Transmitter, 0 to 10 VDC output										
	H212	±2% Humidity Transmitter, 2 to 10 VDC output										
	<b>Enclosure Style Must select one</b>											
	-B4	BAPI-Stat 4 Style Enclosure										
	-B	BAPI-Stat 2 Style Enclosure										
	<b>LCD Display Must select one</b>											
	D	LCD Display										
	X	No LCD Display										
	<b>°F or °C Display Mode Select one if ordering a unit with LCD Display</b>											
	F	Temperatures Displayed in °F										
C	Temperatures Displayed in °C											
<b>Setpoint Display Options Skip if not required</b>												
#	<b>Desired Range</b>	<b>Designator</b>	<b>Desired Range</b>	<b>Designator</b>								
	-2 to +2	P	60 to 80 °F or 15 to 27 °C	E								
	-3 to +3	A	65 to 80 °F or 18 to 27 °C	F								
	-5 to +5	B	70 to 74 °F or 21 to 23 °C	L								
	50 to 90 °F or 10 to 32 °C	C	45 to 96 °F or 7 to 36 °C	G								
55 to 85 °F or 13 to 30 °C	D	See pg 13 for Additional Setpoint Display Ranges										
<b>Setpoint Output Value Range Skip if not required</b>												
##	<b>Desired Range</b>	<b>Designator</b>	<b>Desired Range</b>	<b>Designator</b>								
	674 to 274 Ω	23	15 k to 5 kΩ	61								
	800 to 1200 Ω	25	0 to 20 kΩ	80								
	909 to 1309 Ω	26	4.75 k to 24.75 kΩ	81								
	1800 to 2200 Ω	27	6.19 k to 26.19 kΩ	82								
	0 to 1000 Ω	40	7.87 k to 27.87 kΩ	83								
	500 to 1500 Ω	41	10 k to 30 kΩ	84								
	2 k to 3 kΩ	42	0 to 100 kΩ	90								
	0 to 10 kΩ	60	0 to 5 V <sup>2</sup>	00								
			0 to 10 V <sup>3</sup>	10								
See App. Notes pg 12 for Additional Setpoint Ranges												
<b>SETPOINT LEGEND (insert Designator #)</b>												
<b>Legend Range</b>	<b>Designator</b>	<b>Legend Range</b>	<b>Designator</b>									
5 to 30 C	L1	65 to 80 F	L4									
55 to 85 F	L2	COOL/WARM	L6									
60 to 85 F	L3	WARM/COOL	L7									
		No Legend	L0									
<b>Override Configuration Must select one</b>												
-J	Override as a Separate Output. (Dry contact only, not intended to switch a load)											
-N	Override in Parallel (//) with Sensor											
-P	Override in Parallel (//) with Setpoint: NOT available on voltage setpoint models											
-Z	No Override. (Needed if no override is required)											
<b>Optional Communication Jack Mounted in unit's base</b>												
-C11L	RJ11 (4 pin) Style Jack with Leads											
-C11LT	RJ11 (4 pin) Style Jack with Leads and Terminal Block											
-C35L	3.5 mm Phono Jack w/ Leads Attached											
-C35LT	3.5 mm Phono Style Jack with Leads and Terminal Block											
-C22L	RJ22 (4 pin) Style Jack with Leads Attached (BAPI-Stat 4 unit only)											
-C22LT	RJ22 (4 pin) Style Jack with Leads and Terminal Block (BAPI-Stat 4 unit only)											
<b>Optional Test and Balance Switch</b>												
-TB	Three Position Switch - "Low" & "High" values vary, "Normal" is live sensor value, call for details.											
<b>Connection Configuration Must select one, default is common ground</b>												
-CG	Common Ground											
-DF	Differential Inputs (only with resistive setpoint)											
<b>Logo Plate Color (BAPI-Stat 4 Only, Must select for BAPI-Stat 4)</b>												
-WMW	Warm White Logo Plate Color (standard)											
-GRY	Gray Logo Plate Color											
EXAMPLE												
BA/	10K-2-	H220	-B4	D	F	-C	80L6	-J	-C35L	-TB	-CG	-WMW
Example Part Number: BA/10K-2-H220-B4DF-C80L6-J-C35L-TB-CG-WMW												
<b>Your Part Number:</b>												

<sup>1</sup>DC input voltage is required for current output.

<sup>2</sup>Requires 10 to 40VDC or 12 to 24VAC power. Common Ground Connection Configuration only.

<sup>3</sup>Requires 15 to 40VDC or 15 to 28VAC power. Common Ground Connection Configuration only.

Call BAPI if you have questions about the above ordering grid or the configuration of the product you are ordering.

