

Cable Temperature Sensor

Active sensor (0 to 5/10 V) for measuring the temperature in pipe and air applications. Incorporates a stainless steel probe and plenum rated cable.


Type Overview

Type	Output Signal Active Temperature	Cable Length	Probe Length	Probe Diameter
22CT-52H	DC 0...5 V, DC 0...10 V	6.5 ft. [2 m]	2" [50 mm]	0.24" [6 mm]

Technical Data

Electrical Data	Power Supply DC	15...24 V, ±10%, 0.45 W			
	Power Supply AC	24 V, ±10%, 0.8 VA			
	Electrical Connection	removable spring loaded terminal block max. 11 GA [2.5 mm ²]			
	Cable Entry	cable gland PG11 Ø6 to 10 mm, with strain relief Ø6 to 8 mm, 1/2" conduit adapter included			
Functional Data	Cable Specification	1 pair shielded plenum cable, 22AWG tinned copper, green jacket, -40°F to 300°F (-40°C to 150°C), 300 V			
	Multirange	8 fields selectable			
	Output Signal Active Note	output DC 0 to 5/10 V with jumper adjustable voltage output: min. 5 kΩ load			
	Media	air water			
Measuring Data	Measured Values	temperature			
	Measuring range temperature	Active sensor: range selectable Attention: max. measuring temperature is restricted by max. medium temperature (see Safety data)			
		Setting	range [°C]	range [°F]	Factory setting
	S0	-50°C to 50°C	-30°F to 130°F		
	S1	-10°C to 120°C	0°F to 250°F		
	S2	0°C to 50°C	40°F to 140°F		
	S3	0°C to 250°C	30°F to 480°F		
	S4	-15°C to 35°C	0°F to 100°F		
	S5	0°C to 100°C	40°F to 240°F		
	S6	-20°C to 80°C	40°F to 90°F		
	S7	0°C to 160°C	0°F to 150°F		✓
	Accuracy temperature active	±0.5 °C @ 21 °C			

Materials	Cable Gland	PA6, black
	Mounting Plate	lexan, silvergray RAL7001
	Housing	cover: lexan, Belimo orange NCS S0580-Y6OR base: lexan, Belimo orange NCS S0580-Y6OR seal: 0467 NBR70, black
Safety Data	Ambient Humidity	85% RH non-condensing
	Ambient Temperature	-30°F to 120°F [-35°C to 50°C]
	Medium Temperature	-60°F to 245°F [-50°C to 120°C]
	Housing Surface Temperature (Tsurf)	max. 160°F [70°C]
	Protection Class IEC/EN	III protective extra-low voltage (peIv)
	Protection Class UL	UL Class 2 Supply
	EU Conformity	CE Marking
	Certification IEC/EN	IEC/EN 60730-1 and IEC/EN 60730-2-9
	Certification UL	cULus acc. to UL60730-1A/-2-9, CAN/CSA E60730-1:02/-2-9, CE acc. to 2004/108/EC and 2006/95/EC, NEMA 4X, IP65, UL Enclosure Type 4X
	Degree of Protection IEC/EN	IP65
	Degree of Protection NEMA/ UL	NEMA 4X
	Quality Standard	ISO 9001
	Weight	0.16 lbs

Safety Notes


The installation and assembly of electrical equipment should only be performed by authorized personnel.

The product should only be used for the intended application. Unauthorized modifications are prohibited! The product must not be used in relation with any equipment that in case of a failure may threaten, directly or indirectly, human health or life or result in danger to human beings, animals or assets. Ensure all power is disconnected before installing. Do not connect to live/operating equipment.

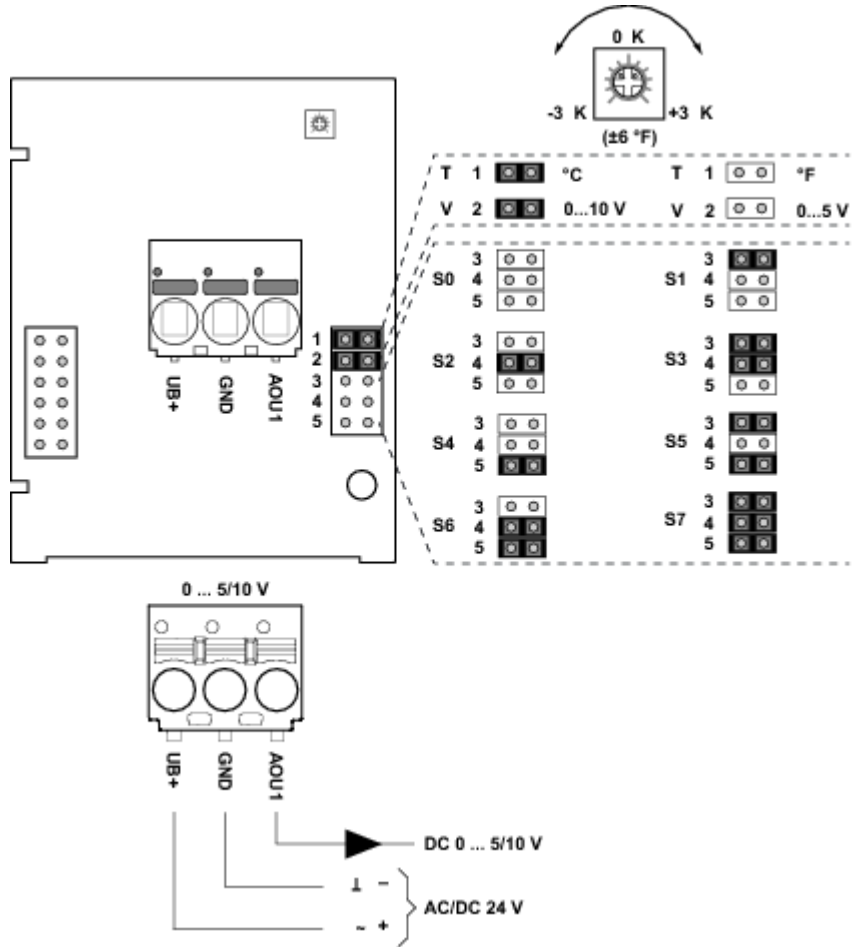
Please comply with

- Local laws, health & safety regulations, technical standards and regulations
- Condition of the device at the time of installation, to ensure safe installation
- This data sheet and installation manual

Accessories

Scope of Delivery	mounting plate dowel screws cable gland nut conduit 1/2" NPT	
Optional accessories air	Description	Type
	Mounting flange 0.24" [6 mm], plastic (adjustable), up to max. 248°F [120°C]	A-22D-A03
	Mounting flange 0.24" [6 mm], brass, up to max. 500°F [260°C]	A-22D-A05
Recommended accessories water	Description	Type
	thermowell pocket, stainless steel, 2" [50 mm], 1/2" NPT, wrench size 3/4"	A-22P-A05
	thermowell pocket, brass, 2" [50 mm], 1/2" NPT, wrench size 3/4"	A-22P-A17
	thermowell pocket, stainless steel, 2" [50 mm], 1/2" NPT, wrench size 3/4"	A-22P-A36
	thermowell pocket, stainless steel, 4" [100 mm], 1/2" NPT, wrench size 3/4"	A-22P-A07
	thermowell pocket, brass, 4" [100 mm], 1/2" NPT, wrench size 3/4"	A-22P-A19
	thermowell pocket, stainless steel, 4" [100 mm], 1/2" NPT, wrench size 3/4"	A-22P-A37
	thermowell pocket, stainless steel, 6" [150 mm], 1/2" NPT, wrench size 3/4"	A-22P-A09
	thermowell pocket, brass, 6" [150 mm], 1/2" NPT, wrench size 3/4"	A-22P-A21
	thermowell pocket, stainless steel, 6" [150 mm], 1/2" NPT, wrench size 3/4"	A-22P-A38
	thermowell pocket, stainless steel, 8" [200 mm], 1/2" NPT, wrench size 3/4"	A-22P-A11
	thermowell pocket, brass, 8" [200 mm], 1/2" NPT, wrench size 3/4"	A-22P-A23
	thermowell pocket, stainless steel, 8" [200 mm], 1/2" NPT, wrench size 3/4"	A-22P-A39
	thermowell pocket, stainless steel, 12" [300 mm], 1/2" NPT, wrench size 3/4"	A-22P-A13
	thermowell pocket, brass, 12" [300 mm], 1/2" NPT, wrench size 3/4"	A-22P-A25
	thermowell pocket, stainless steel, 18" [450 mm], 1/2" NPT, wrench size 3/4"	A-22P-A15
	thermowell pocket, brass, 18" [450 mm], 1/2" NPT, wrench size 3/4"	A-22P-A27
	syringe thermal contact fluid	A-22P-A44

Wiring Diagram



the adjustment of the measuring ranges is made by changing the bonding jumpers
 the output value in the new measuring range is available after 2 seconds

Setting	range [°C]	range [°F]	Factory setting
S0	-50°C to 50°C	-30°F to 130°F	
S1	-10°C to 120°C	0°F to 250°F	
S2	0°C to 50°C	40°F to 140°F	
S3	0°C to 250°C	30°F to 480°F	
S4	-15°C to 35°C	0°F to 100°F	
S5	0°C to 100°C	40°F to 240°F	
S6	-20°C to 80°C	40°F to 90°F	
S7	0°C to 160°C	0°F to 150°F	✓

Dimensions

