

Duct Sensor Humidity / Temperature

Duct mounted combined humidity (VDC) and temperature sensor. 2% accurate rH, available with dual active outputs or passive for temperature. Nema 4X / IP65 rated enclosure. Field selectable output for rH, absolute humidity, enthalpy and dewpoint.



Type Overview

Type	Output Signal Active Humidity	Output Signal Active Temperature	Output Signal Passive Temperature
22DTH-51M	DC 0...5 V, DC 0...10 V	DC 0...5 V, DC 0...10 V	-
22DTH-51MB	DC 0...5 V, DC 0...10 V	-	PT1000
22DTH-51ME	DC 0...5 V, DC 0...10 V	-	Ni1000 (JCI)
22DTH-51ML	DC 0...5 V, DC 0...10 V	-	NTC10k2
22DTH-51MM	DC 0...5 V, DC 0...10 V	-	NTC10k3
22DTH-51MQ	DC 0...5 V, DC 0...10 V	-	NTC20k

Technical Data

Electrical Data	Power Supply DC	15...24 V, ±10%, 0.4 W
	Power Supply AC	24 V, ±10%, 0.8 VA
	Cable Entry	cable gland PG11 Ø6 to 10 mm, with strain relief Ø6 to 8 mm, 1/2" conduit adapter included
Functional Data	Sensor Technology	polymer capacitive sensor with stainless steel wire mesh
	Multirange	4 fields selectable
	Output Signal Passive Temperature	PT1000 Ni1000 (JCI) NTC10k2 NTC10k3 NTC20k
	Output Signal Active Note	output DC 0 to 5/10 V with jumper adjustable voltage output: min. 10 kΩ load
	Media	air

Measuring Data	Measured Values	temperature relative humidity dew point enthalpy absolute humidity
	Measuring Range Humidity	0 to 100% RH non-condensing
	Measuring range temperature	passive sensor: -30°F to 160°F [-35°C to 70°C] Active sensor: range selectable Attention: max. measuring temperature is restricted by max. medium temperature (see Safety data) Setting range [°C] range [°F] Factory setting
		S0 -40°C to 60°C -40°F to 160°F
		S1 0°C to 50°C 40°F to 140°F
		S2 -15°C to 35°C 0°F to 100°F
		S3 -20°C to 80°C 0°F to 200°F ✓
	Measuring Range Absolute Humidity	adjustable at the transducer: 0 to 50 g/m ³ (default setting) 0 to 80 g/m ³
	Measuring Range Enthalpy	0 to 85 kJ/kg
	Measuring Range Dew Point	adjustable at the transducer: 40°F to 140°F [0°C to 50°C] (default setting) 0°F to 200°F [-20°C to 80°C]
Accuracy Humidity	±2% between 10 to 90% RH @ 70°F [21°C]	
Accuracy temperature active	±0.9°F @ 77°F [±0.5°C @ 25°C]	
Accuracy temperature passive	passive sensors depending on used type PT.. = ±0.5°F @ 32°F [±0.3°C @ 0°C] Ni.. = ±0.7°F @ 32°F [±0.4°C @ 0°C] NTC.. = ±0.3°F @ 77°F [±0.2°C @ 25°C]	
Materials	Operating Condition Air Flow	max. 40 ft/s [12 m/s]
	Cable Gland	PA6, black
	Housing	cover: lexan, Belimo orange NCS S0580-Y6OR base: lexan, Belimo orange NCS S0580-Y6OR seal: 0467 NBR70, black
Safety Data	Ambient Temperature	-30°F to 120°F [-35°C to 50°C]
	Medium Temperature	-30°F to 160°F [-35°C to 70°C]
	Operating Condition Air Flow	max. 40 ft/s [12 m/s]
	Protection Class IEC/EN	III safety extra-low voltage (selv)
	Protection Class UL	UL Class 2 Supply
	EU Conformity	CE Marking
	Certification IEC/EN	IEC/EN 60730-1 and IEC/EN 60730-2-13
	Certification UL	cULus acc. to UL60730-1A/-2-9/-2-13, CAN/CSA E60730-1:02/-2-9, CE acc. to 2004/108/EC and 2006/95/EC, NEMA 4X, IP65, UL Enclosure Type 4X
	Degree of Protection IEC/EN	IP65
	Degree of Protection NEMA/ UL	NEMA 4X
Quality Standard	ISO 9001	
Weight	0.12 lbs	

Remarks

Application Notice for Humidity Sensors

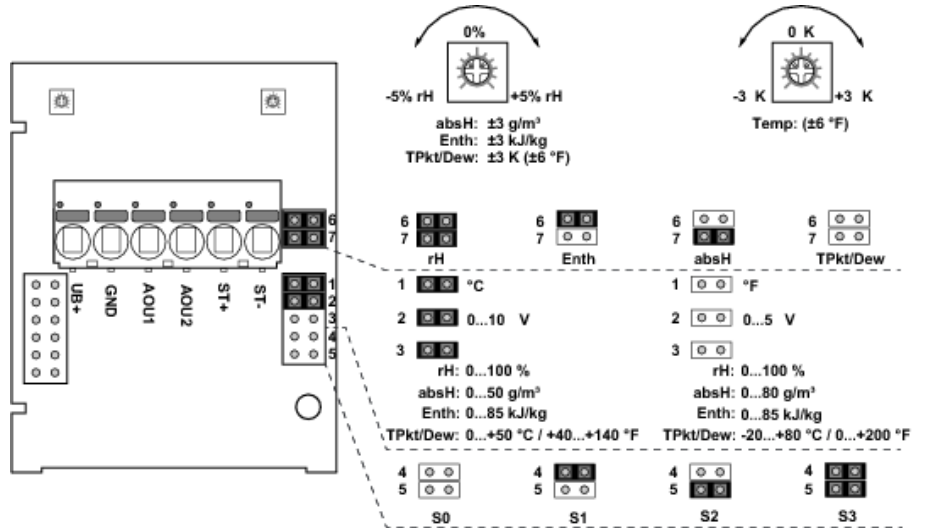
Refrain from touching the sensitive humidity sensor/element. Touching the sensitive surface will void warranty.

For standard environmental conditions the manufacturing accuracy specified in the datasheet will be covered by the calibration warranty for two years. When exposed to harsh environmental conditions such as; high ambient temperature and/or high levels of humidity or presence of aggressive gases (i.e. chlorine, ozone, ammonia) the sensor element may be affected and readings may be outside specified accuracy. Replacement of deteriorated humidity sensor due to harsh environmental conditions are not subject of the general warranty.

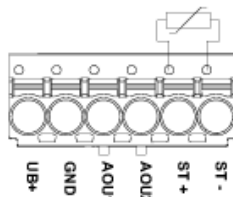
Accessories

Scope of Delivery	mounting flange cable gland nut conduit 1/2" NPT		
Optional Accessories	Description		Type
	mounting flange for duct humidity and CO ₂ sensor		A-22D-A34

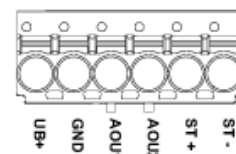
Wiring Diagram



22..TH-..1..
0...5/10 V + ST



22..TH-..1..
2 x 0...5/10 V



- rH Relative humidity
- absH Absolute humidity
- Enth Enthalpy
- TPkt/Dew Dew point

the adjustment of the measuring ranges is made by changing the bonding jumpers
the output value in the new measuring range is available after 2 seconds

Setting	range [°C]	range [°F]	Factory setting
S0	-40°C to 60°C	-40°F to 160°F	
S1	0°C to 50°C	40°F to 140°F	
S2	-15°C to 35°C	0°F to 100°F	
S3	-20°C to 80°C	0°F to 200°F	✓

Dimensions

