

Contact Temperature Sensor

Active surface contact temperature sensor (0 to 5/10 V) for pipe applications. Spring loaded brass contact to ensure fast response and accurate readings. NEMA 4X / IP65 rated enclosure. [Pipe clamp included.]


Type Overview

Type	Output Signal Active Temperature
22HT-52	DC 0...5 V, DC 0...10 V

Technical Data

Electrical Data	Power Supply DC	15...24 V, ±10%, 0.42 W			
	Power Supply AC	24 V, ±10%, 0.84 VA			
	Electrical Connection	removable spring loaded terminal block max. 11 GA [2.5 mm ²]			
	Cable Entry	cable gland PG11 Ø6 to 10 mm, with strain relief Ø6 to 8 mm, 1/2" conduit adapter included			
Functional Data	Multirange	8 fields selectable			
	Output Signal Active Note	output DC 0 to 5/10 V with jumper adjustable voltage output: min. 5 kΩ load			
	Media	water			
Measuring Data	Measured Values	temperature			
	Measuring range temperature	Active sensor: range selectable Attention: max. measuring temperature is restricted by max. medium temperature (see Safety data)			
		Setting	range [°C]	range [°F]	Factory setting
		S0	-50°C to 50°C	-30°F to 130°F	
		S1	-10°C to 120°C	0°F to 250°F	
		S2	0°C to 50°C	40°F to 140°F	
		S3	0°C to 250°C	30°F to 480°F	
		S4	-15°C to 35°C	0°F to 100°F	
		S5	0°C to 100°C	40°F to 240°F	✓
		S6	-20°C to 80°C	40°F to 90°F	
		S7	0°C to 160°C	0°F to 150°F	
	Accuracy temperature active	±0.5 °C @ 21 °C			
Materials	Cable Gland	PA6, black			
	Housing	cover: lexan, Belimo orange NCS S0580-Y6OR base: lexan, Belimo orange NCS S0580-Y6OR seal: 0467 NBR70, black			

Safety Data	Ambient Humidity	85% RH non-condensing
	Ambient Temperature	-30°F to 120°F [-35°C to 50°C]
	Medium Temperature	-30°F to 160°F [-35°C to 70°C]
	Housing Surface Temperature (Tsurf)	max. 160°F [70°C]
	Protection Class IEC/EN	III protective extra-low voltage (pelv)
	Protection Class UL	UL Class 2 Supply
	EU Conformity	CE Marking
	Certification IEC/EN	IEC/EN 60730-1 and IEC/EN 60730-2-9
	Certification UL	cULus acc. to UL60730-1A/-2-9, CAN/CSA E60730-1:02/-2-9, CE acc. to 2004/108/EC and 2006/95/EC, NEMA 4X, IP65
	Degree of Protection IEC/EN	IP65
	Degree of Protection NEMA/ UL	NEMA 4X
	Quality Standard	ISO 9001
	Weight	0.11 lbs

Safety Notes


The installation and assembly of electrical equipment should only be performed by authorized personnel.

The product should only be used for the intended application. Unauthorized modifications are prohibited! The product must not be used in relation with any equipment that in case of a failure may threaten, directly or indirectly, human health or life or result in danger to human beings, animals or assets. Ensure all power is disconnected before installing. Do not connect to live/operating equipment.

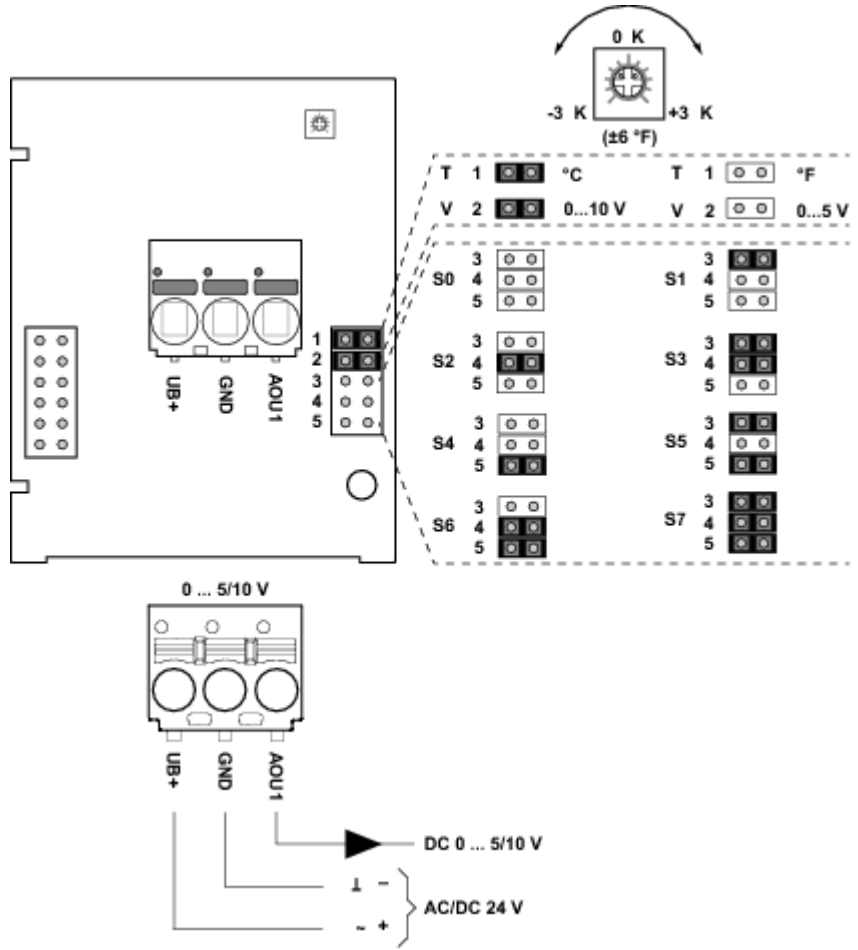
Please comply with

- Local laws, health & safety regulations, technical standards and regulations
- Condition of the device at the time of installation, to ensure safe installation
- This data sheet and installation manual

Accessories

Scope of Delivery	cable gland nut conduit 1/2" NPT	
Optional Accessories	Description	Type
	tightening strap for pipe diameter up to 4.3" [110 mm] with thermal contact fluid	A-22P-A40
	tightening strap for pipe diameter up to 35" [900 mm] with thermal contact fluid	A-22P-A42
	syringe thermal contact fluid	A-22P-A44

Wiring Diagram



the adjustment of the measuring ranges is made by changing the bonding jumpers
 the output value in the new measuring range is available after 2 seconds

Setting	range [°C]	range [°F]	Factory setting
S0	-50°C to 50°C	-30°F to 130°F	
S1	-10°C to 120°C	0°F to 250°F	
S2	0°C to 50°C	40°F to 140°F	
S3	0°C to 250°C	30°F to 480°F	
S4	-15°C to 35°C	0°F to 100°F	
S5	0°C to 100°C	40°F to 240°F	✓
S6	-20°C to 80°C	40°F to 90°F	
S7	0°C to 160°C	0°F to 150°F	

Dimensions

