

Brass Thermowell (Fabricated)

Brass Thermowell (Fabricated) with 1/2" NPT external thread and integrated compression fitting for ease of installation for immersion sensors 01DT and 22DT.



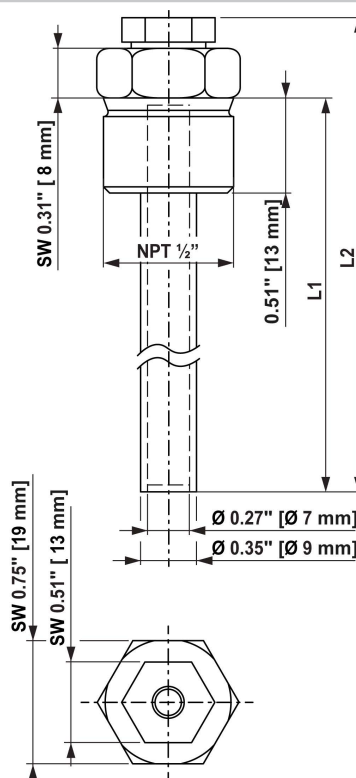
Type Overview

Type	Thermowell Length	Thermowell Diameter	Max. flow velocity	Weight [oz]
A-22P-A17	2" [50 mm]	0.35" [9 mm]	93.5 ft/s [28.5 m/s]	1.76 oz.
A-22P-A19	4" [100 mm]	0.35" [9 mm]	42.6 ft/s [13 m/s]	2.11 oz.
A-22P-A21	6" [150 mm]	0.35" [9 mm]	28 ft/s [8.5 m/s]	2.5 oz.
A-22P-A23	8" [200 mm]	0.35" [9 mm]	16.4 ft/s [5 m/s]	2.82 oz.
A-22P-A25	12" [300 mm]	0.35" [9 mm]	6.6 ft/s [2 m/s]	3.6 oz.
A-22P-A27	18" [450 mm]	0.35" [9 mm]	3.2 ft/s [1 m/s]	4.8 oz.

Technical Data

Functional Data	Media	water
Materials	Probe Material	brass
	Thermowell Material	Thread and Hex: C38500 Thermowell Length: C27400
Safety Data	Medium Temperature	up to max. 266 °F [130 °C]
	Maximum Allowable Operating Temperature	up to max. 232 psi [16 bar]
	Quality Standard	ISO 9001

Dimensions



Typ	L1	L2
A-22P-A17	1.41" [36 mm]	1.93" [49 mm]
A-22P-A19	3.38" [86 mm]	3.90" [99 mm]
A-22P-A21	5.35" [136 mm]	5.87" [149 mm]
A-22P-A23	7.32" [186 mm]	7.83" [199 mm]
A-22P-A25	11.25" [286 mm]	11.77" [299 mm]
A-22P-A27	17.16" [436 mm]	17.68" [449 mm]