

Stainless Steel Thermowell (Fabricated)

Stainless Steel Thermowell (Fabricated) with 1/2" NPT external thread and integrated compression fitting for ease of installation for immersion sensors 01DT and 22DT.



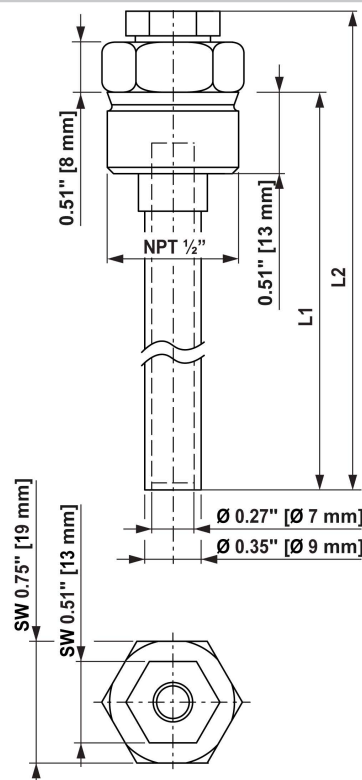
Type Overview

Type	Thermowell Length	Thermowell Diameter	Max. flow velocity	Weight [oz]
A-22P-A05	2" [50 mm]	0.35" [9 mm]	98.4 ft/s [30 m/s]	1.76 oz.
A-22P-A07	4" [100 mm]	0.35" [9 mm]	44.3 ft/s [13.5 m/s]	2 oz.
A-22P-A09	6" [150 mm]	0.35" [9 mm]	29.5 ft/s [9 m/s]	2.36 oz.
A-22P-A11	8" [200 mm]	0.35" [9 mm]	18 ft/s [5.5 m/s]	2.7 oz.
A-22P-A13	12" [300 mm]	0.35" [9 mm]	8.2 ft/s [2.5 m/s]	3.35 oz.
A-22P-A15	18" [450 mm]	0.35" [9 mm]	3.2 ft/s [1 m/s]	4.4 oz.

Technical Data

Functional Data	Media	water
Materials	Probe Material	stainless steel
	Thermowell Material	Thread and Hex: C38500 Thermowell Length: C27400
Safety Data	Medium Temperature	up to max. 392 °F [200 °C]
	Maximum Allowable Operating Temperature	up to max. 580 psi [40 bar]
	Quality Standard	ISO 9001

Dimensions



Typ	L1	L2
A-22P-A05	1.41" [36 mm]	1.93" [49 mm]
A-22P-A07	3.38" [86 mm]	3.90" [99 mm]
A-22P-A09	5.35" [136 mm]	5.87" [149 mm]
A-22P-A11	7.32" [186 mm]	7.83" [199 mm]
A-22P-A13	11.25" [286 mm]	11.77" [299 mm]
A-22P-A15	17.16" [436 mm]	17.68" [449 mm]