

Stainless Steel Thermowell (Machined)

Stainless Steel Thermowell machined out of one piece. 1/2" NPT external thread and integrated compression fitting for ease of installation for immersion sensors 01DT and 22DT.



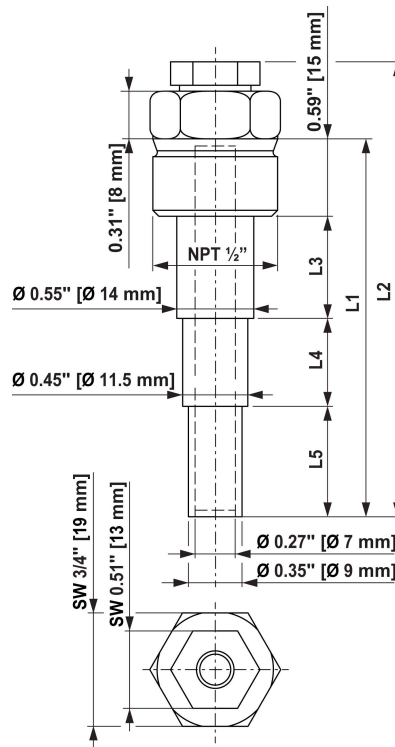
Type Overview

Type	Thermowell Length	Thermowell Diameter	Max. flow velocity	Weight [oz]
A-22P-A36	2" [50 mm]	0.35" [9 mm]	98.4 ft/s [30 m/s]	1.95 oz.
A-22P-A37	4" [100 mm]	0.35" [9 mm]	44.3 ft/s [13.5 m/s]	3 oz.
A-22P-A38	6" [150 mm]	0.35" [9 mm]	29.5 ft/s [9 m/s]	4.23 oz.
A-22P-A39	8" [200 mm]	0.35" [9 mm]	18 ft/s [5.5 m/s]	5.3 oz.

Technical Data

Functional Data	Media	water
Materials	Probe Material	stainless steel
	Thermowell Material	AISI 316L
Safety Data	Medium Temperature	up to max. 392 °F [200 °C]
	Maximum Allowable Operating Temperature	up to max. 580 psi [40 bar]
	Quality Standard	ISO 9001

Dimensions



Typ	L1	L2	L3	L4	L5
A-22P-A36	1.41" [36 mm]	1.93" [49 mm]	0" [0 mm]	0.43" [11 mm]	0.39" [10 mm]
A-22P-A37	3.38" [86 mm]	3.89" [99 mm]	0.98" [25 mm]	0.98" [25 mm]	0.82" [21 mm]
A-22P-A38	5.35" [136 mm]	5.86" [149 mm]	1.96" [50 mm]	1.57" [40 mm]	1.22" [31 mm]
A-22P-A39	7.32" [186 mm]	7.83" [199 mm]	2.75" [70 mm]	2.56" [65 mm]	1.41" [36 mm]