

B2050VSS-15, 2-Way, Ball Valve

Stainless Steel Body, Ball and Stem



Application

These threaded valves are designed to provide modulating or two position control of hot or chilled water and saturated steam systems under 50 psi. Typical applications include reheat coils, VAV terminal control, unit ventilators, and air handlers, especially in areas which have minimum profile requirements. Up to 50 psi steam

1/2" - 2000 PSIG WOG, Cold Non-Shock

Federal Specification: WW-V-35C, Type II

Composition: SS

Style: 3

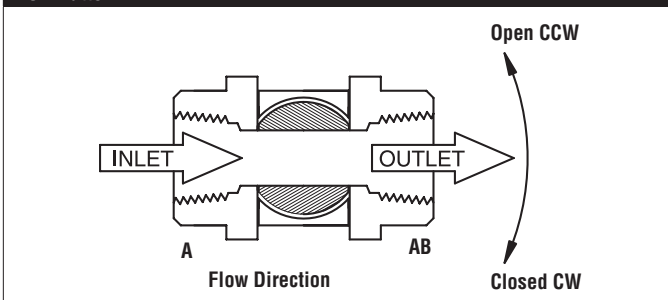
Suitable Actuators

	Non-Spring	Spring
B2050VSS-15	NMB(X), SY1	LF

Technical Data

Service	chilled or hot water, up to 60% glycol, steam
Flow Characteristic	modified equal percentage
Controllable Flow Range	90° rotation, A to AB open CCW, B to AB open CW
Size [mm]	0.5" [15]
End Fitting	sae npt (female connections)
Body	A351-CF8M 316 Stainless Steel
Body Seal	PTFE
Ball	316 stainless steel
Gland	A276-316
Stem	316 stainless steel
Stem Packing	reinforced PTFE
Stem Bearing	reinforced PTFE
Jam Nut	stainless steel
Seat	reinforced PTFE w/ Durafill
Body Pressure Rating [psi]	2000 psig WOG
Max Inlet Pressure (Steam)	50 psi
Media Temperature Range (Water)	-22°F to 298°F [-30°C to 148°C]
Maximum Differential Pressure (Steam)	50 psi
Max Differential Pressure (Water)	<600 psig
Close-Off Pressure	1000 psi
Maximum Velocity	15 FPS
Cv	15
Weight	0.4 lb [0.2 kg]
Leakage	ANSI Class VI

Flow Pattern



LMB24-3-X1

On/Off, Floating Point, Spring Return, 24 V



Technical Data	
Power Supply	24 VAC, ±20%, 50/60 Hz, 24 VDC, ±10%
Power Consumption Running	1.5 W
Power Consumption Holding	0.2 W
Transformer Sizing	2.5 VA (class 2 power source)
Electrical Connection	3ft [1m], 18 GA plenum cable with 1/2" conduit connector
Overload Protection	electronic throughout 0° to 90° rotation
Angle of Rotation	90°, adjustable with mechanical stop
Nominal Torque	Min. 45 in-lbs [5 Nm]
Direction of Rotation (Motor)	reversible with built-in switch
Position Indication	reflective visual indicator (snap on)
Manual Override	external push button
Running Time (Motor)	90 sec, constant, independent of load
Ambient Humidity	5 to 95% RH non condensing (EN 60730-1)
Ambient Temperature Range	-22°F to 122°F [-30°C to 50°C]
Storage Temperature Range	-40°F to 176°F [-40°C to 80°C]
Housing	NEMA 2, IP54, UL Enclosure Type 2
Agency Listings†	cULus acc. to UL60730-1A/-2-14, CAN/CSA E60730-1:02, CE acc. to 2004/108/EC and 2006/95/EC
Noise Level (Motor)	<35 dB (A)
Servicing	maintenance free
Quality Standard	ISO 9001
Weight	0.9 lb [0.4 kg]
Degree of Protection IEC/EN	IP54

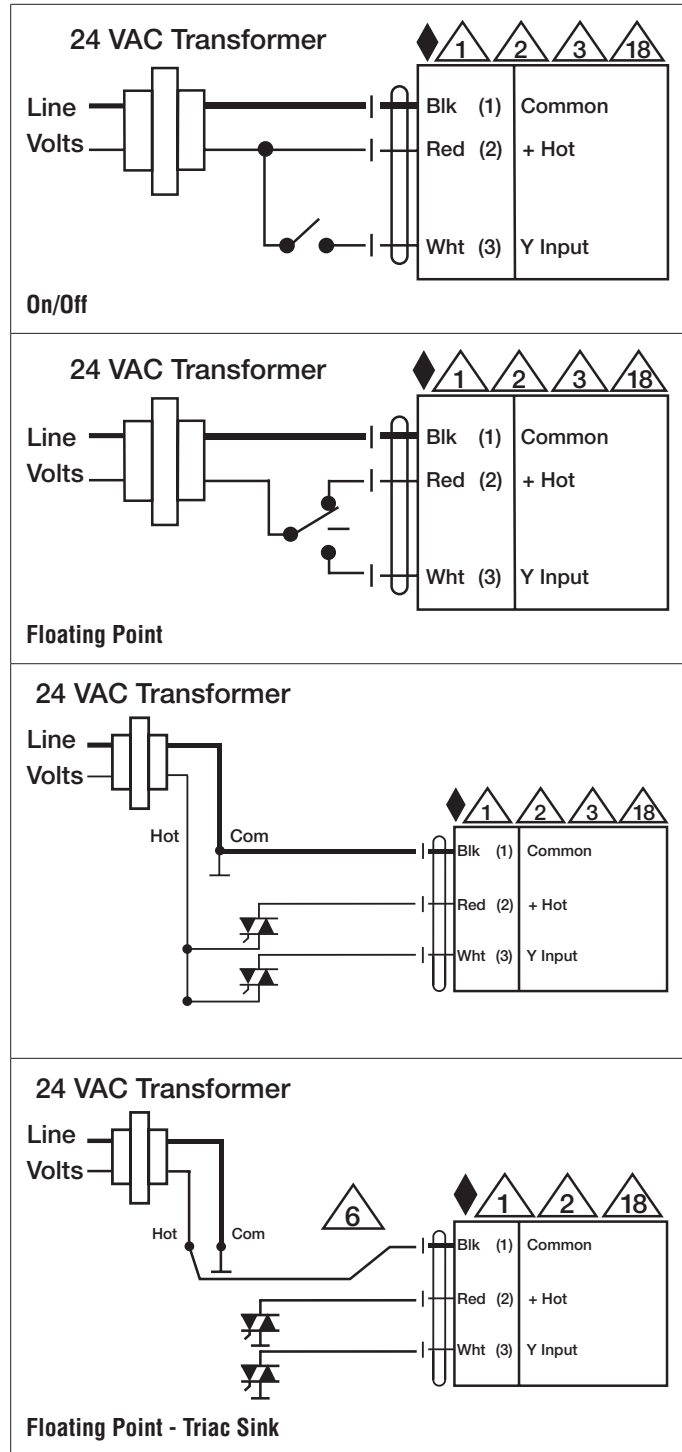
†Rated Impulse Voltage 800V, Type of Action 1.AA.B, Control Pollution Degree 3.

Wiring Diagrams

INSTALLATION NOTES

- Actuators with appliance cables are numbered.
- Provide overload protection and disconnect as required.
- Actuators may also be powered by 24 VDC.
- Actuators Hot wire must be connected to the control board common. Only connect common to neg. (-) leg of control circuits. Terminal models (-T) have no-feedback.
- Actuators may be connected in parallel if not mechanically linked. Power consumption and input impedance must be observed.
- Meets cULus requirements without the need of an electrical ground connection.

WARNING! LIVE ELECTRICAL COMPONENTS!
During installation, testing, servicing and troubleshooting of this product, it may be necessary to work with live electrical components. Have a qualified licensed electrician or other individual who has been properly trained in handling live electrical components perform these tasks. Failure to follow all electrical safety precautions when exposed to live electrical components could result in death or serious injury.



Date created, 02/23/2018 - Subject to change. © Belimo Aircontrols (USA), Inc.