

# B224VSS, 2-Way, Ball Valve

## Stainless Steel Body, Ball and Stem



### Application

These threaded valves are designed to provide modulating or two position control of hot or chilled water and saturated steam systems under 50 psi. Typical applications include reheat coils, VAV terminal control, unit ventilators, and air handlers, especially in areas which have minimum profile requirements. Up to 50 psi steam  
 1/2" - 2000 PSIG WOG, Cold Non-Shock  
 Federal Specification: WW-V-35C, Type II  
 Composition: SS  
 Style: 3

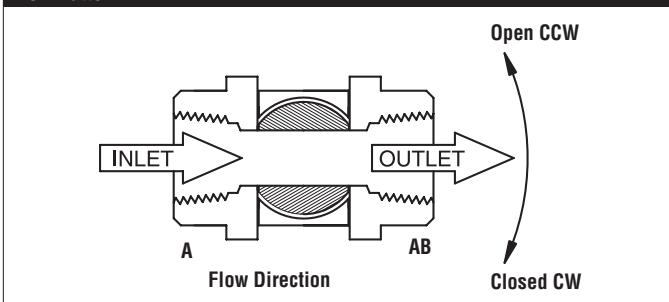
### Suitable Actuators

	Non-Spring	Spring
B224VSS	AMB(X), SY1	AFB(X)

### Technical Data

Service	chilled or hot water, up to 60% glycol, steam
Flow Characteristic	modified equal percentage
Controllable Flow Range	90° rotation, A to AB open CCW, B to AB open CW
Size [mm]	1" [25]
End Fitting	sae npt (female connections)
Body	A351-CF8M 316 Stainless Steel
Body Seal	PTFE
Ball	316 stainless steel
Gland	A276-316
Stem	316 stainless steel
Stem Packing	reinforced PTFE
Stem Bearing	reinforced PTFE
Jam Nut	stainless steel
Seat	reinforced PTFE w/ Durafill
Body Pressure Rating [psi]	1500 psig WOG
Max Inlet Pressure (Steam)	50 psi
Media Temperature Range (Water)	-22°F to 298°F [-30°C to 148°C]
Maximum Differential Pressure (Steam)	50 psi
Max Differential Pressure (Water)	<600 psig
Close-Off Pressure	1000 psi
Maximum Velocity	15 FPS
Cv	43
Weight	1.8 lb [0.8 kg]
Leakage	ANSI Class VI

### Flow Pattern



# AFX24-MFT-S-X1

Modulating, Spring Return, 24 V, Multi-Function Technology®



Technical Data	
Power Supply	24 VAC, ±20%, 50/60 Hz, 24 VDC, -10% / +20%
Power Consumption Running	7.5 W
Power Consumption Holding	3 W
Transformer Sizing	10 VA (class 2 power source)
Electrical Connection	(2) 3ft [1m], 10ft [3m] or 16ft [5m] 18 GA appliance cables with or without 1/2" conduit connectors
Overload Protection	electronic throughout 0° to 95° rotation
Operating Range Y	2 to 10 VDC, 4 to 20 mA w/ ZG-R01 (500 Ω, 1/4 W resistor), variable (VDC, PWM, floating point, on/off)
Feedback Output U	2 to 10 VDC, 0.5 mA max, VDC variable
Angle of Rotation	95°, adjustable with mechanical end stop, 35° to 95°
Nominal Torque	Min. 180 in-lbs [20 Nm]
Direction of Rotation (Motor)	reversible with built-in switch
Direction of Rotation (Fail-Safe)	reversible with CW/CCW mounting
Position Indication	visual indicator, 0° to 95° (0° is full spring return position)
Manual Override	5 mm hex crank (3/16" Allen), supplied
Running Time (Motor)	default 150 sec, variable 70...220 sec
Running Time (Fail-Safe)	<20 sec
Override Control	min. position = 0% , mid. Position = 50% , max. position = 100% (Default)
Ambient Humidity	max. 95% RH non-condensing
Ambient Temperature Range	-22°F to 122°F [-30°C to 50°C]
Storage Temperature Range	-40°F to 176°F [-40°C to 80°C]
Housing	NEMA 2, IP54, UL Enclosure Type 2
Housing Material	zinc coated metal and plastic casing
Agency Listings†	cULus acc. to UL60730-1A/-2-14, CAN/CSA E60730-1:02, CE acc. to 2004/108/EC
Noise Level (Motor)	<40 dB (A)
Noise Level (Fail-Safe)	<62 dB (A)
Servicing	maintenance free
Quality Standard	ISO 9001
Weight	4.6 lb [2.1 kg]
Auxiliary switch	2 x SPDT, 3A resistive (0.5A inductive) @ 250 VAC, one set at 10°, one adjustable 10° to 90°
Degree of Protection IEC/EN	IP54

\*Variable when configured with MFT options.

†Rated Impulse Voltage 800V, Type of Action 1.AA.B, Control Pollution Degree 3.

Date created, 02/12/2018 - Subject to change. © Belimo Aircontrols (USA), Inc.

**Wiring Diagrams**

**⚠ WARNING! LIVE ELECTRICAL COMPONENTS!**  
 During installation, testing, servicing and troubleshooting of this product, it may be necessary to work with live electrical components. Have a qualified licensed electrician or other individual who has been properly trained in handling live electrical components perform these tasks. Failure to follow all electrical safety precautions when exposed to live electrical components could result in death or serious injury.

◆ Meets cULus requirements without the need of an electrical ground connection.

Ⓐ Actuators with appliance cables are numbered.

⚡ Apply only AC line voltage or only UL-Class 2 voltage to the terminals of auxiliary switches. Mixed or combined operation of line voltage/safety extra low voltage is not allowed.

1 Provide overload protection and disconnect as required.

3 Actuators may also be powered by 24 VDC.

4 Two built-in auxiliary switches (2x SPDT), for end position indication, interlock control, fan startup, etc.

5 Only connect common to negative (-) leg of control circuits.

7 A 500 Ω resistor (ZG-R01) converts the 4 to 20 mA control signal to 2 to 10 VDC.

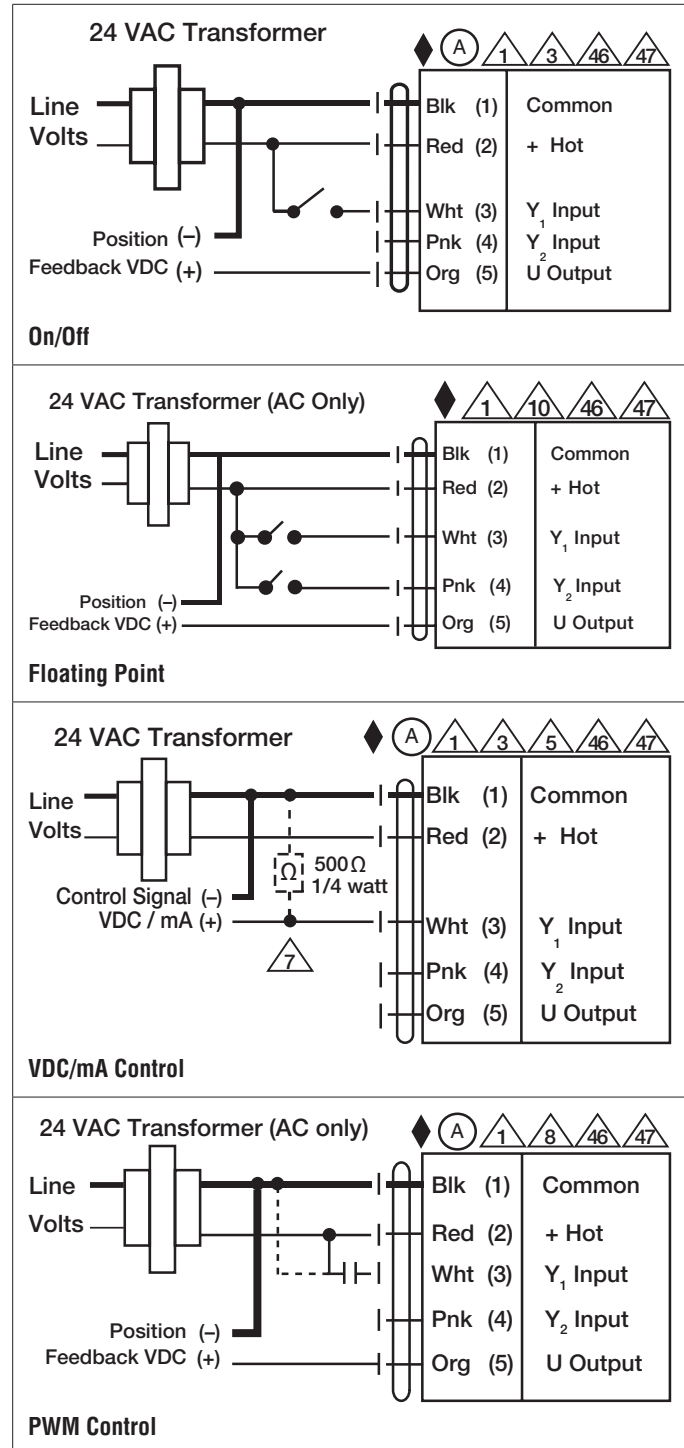
8 Control signal may be pulsed from either the Hot (Source) or Common (Sink) 24 VAC line.

10 For triac sink the Common connection from the actuator must be connected to the Hot connection of the controller. Position feedback cannot be used with a triac sink controller; the actuator internal common reference is not compatible.

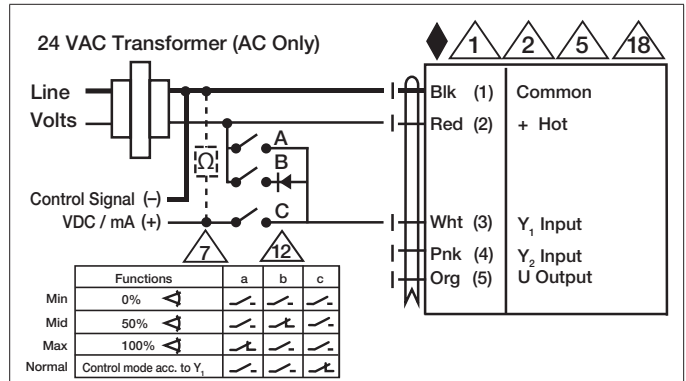
12 IN4004 or IN4007 diode. (IN4007 supplied, Belimo part number 40155).

46 Actuators may be controlled in parallel. Current draw and input impedance must be observed.

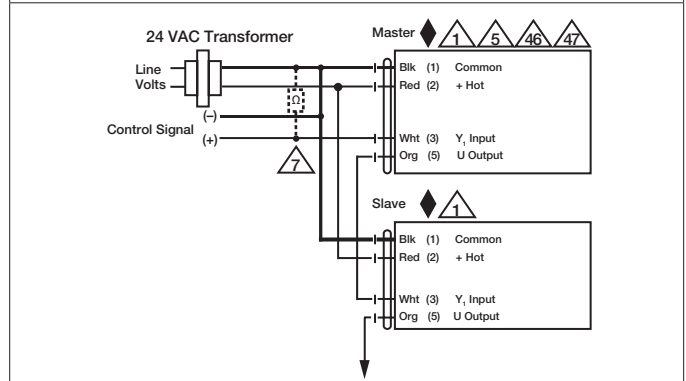
47 Master-Slave wiring required for piggy-back applications. Feedback from Master to control input(s) of Slave(s).



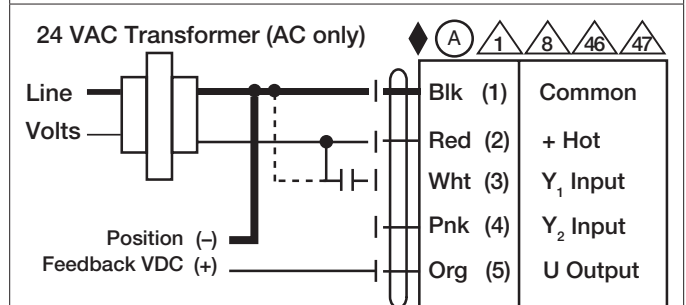
Date created, 02/12/2018 - Subject to change. © Belimo Aircontrols (USA), Inc.



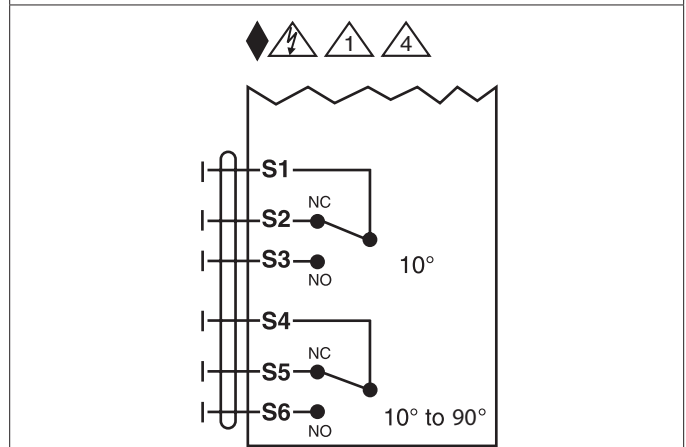
**Override Control**



**Master - Slave**



**PWM Control**



**Auxiliary Switches**