

B254, 2-Way, Characterized Control Valve

Stainless Steel Ball and Stem



| Technical Data | |
|-----------------------------------|--------------------------------------|
| Service | chilled, hot water, up to 60% glycol |
| Flow Characteristic | equal percentage |
| Controllable Flow Range | 75° |
| Size [mm] | 2" [50] |
| End Fitting | NPT female ends |
| Body | forged brass, nickel plated |
| Ball | stainless steel |
| Stem | stainless steel |
| Stem Packing | EPDM (lubricated) |
| Seat | Teflon® PTFE |
| Seat O-ring | EPDM (lubricated) |
| Characterized Disc | No Disc (full flow) |
| Body Pressure Rating [psi] | 400 |
| Media Temperature Range (Water) | 0°F to 250°F [-18°C to 120°C] |
| Max Differential Pressure (Water) | 50 psi (345 kPa) |
| Close-Off Pressure | 200 psi |
| Cv | 240 |
| Weight | 5.3 lb [2.4 kg] |
| Leakage | 0% for A to AB |
| Servicing | maintenance free |



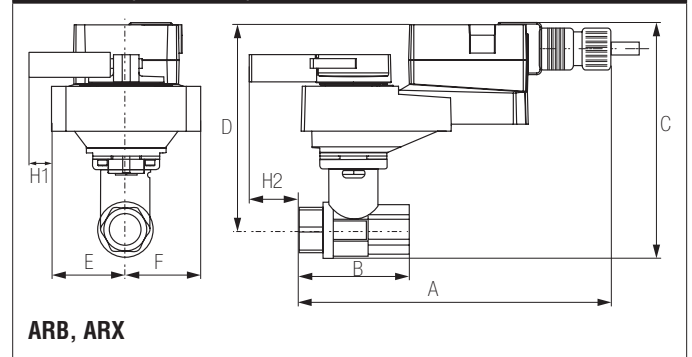
Application

This valve is typically used in air handling units on heating or cooling coils, and fan coil unit heating or cooling coils. Some other common applications include Unit Ventilators, VAV box re-heat coils and bypass loops. This valve is suitable for use in a hydronic system with variable flow.

Suitable Actuators

| | Non-Spring | Spring |
|------|------------|---------|
| B254 | ARB(X) | AFRB(X) |

Dimensions (Inches [mm])



| A | B | C | D | E | F | H1 |
|-----------------|----------------|----------------|----------------|------------|---|------------|
| 10.25" [260] | 4.93" [125] | 7.68" [195] | 5.98" [152] | 1.73" [44] | | 1.18" [30] |

B254, 2-Way, Characterized Control Valve

Stainless Steel Ball and Stem

Dimensions (Inches [mm])



ARB N4, ARX N4, NRB N4, NRX N4

| A | B | C | D | E | F |
|-----------------|-------------|------------|-------------|------------|---|
| 11.36" [289] | 4.21" [107] | 9.8" [249] | 7.55" [192] | 2.44" [62] | |

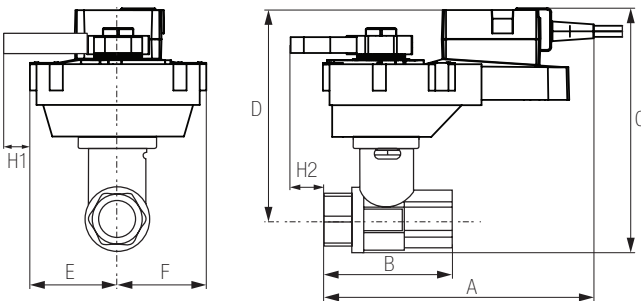
Dimensions (Inches [mm])



AFRB N4, AFRX N4

| A | B | C | D | E | F |
|-----------------|-------------|-----------------|-------------|------------|---|
| 12.98" [330] | 4.93" [125] | 10.29" [261] | 9.24" [235] | 3.39" [86] | |

Dimensions (Inches [mm])



ARQB, ARQX

| A | B | C | D | E | F | H1 | H2 |
|---------------|----------------|----------------|----------------|------------|---|------------|-----------|
| 9.9" [251] | 4.21" [107] | 7.45" [190] | 6.11" [155] | 2.28" [58] | | 0.75" [20] | 0.5" [15] |

Dimensions (Inches [mm])



AFRB, AFRX

| A | B | C | D | E | F |
|-----------------|-------------|-----------------|-------------|------------|---|
| 11.27" [286] | 4.93" [125] | 10.56" [268] | 8.86" [225] | 2.02" [51] | |

ARX120-3

On/Off, Floating Point, Non-Spring Return, 100 to 240 VAC



| Technical Data | |
|-------------------------------|--|
| Power Supply | nominal 100 to 240 VAC, 50/60 Hz, tolerance 85 to 265 VAC 50/60 Hz |
| Power Consumption Running | 3 W |
| Power Consumption Holding | 0.6 W |
| Transformer Sizing | 7 VA (class 2 power source) |
| Electrical Connection | 18 GA appliance rated cable with 1/2" conduit connector protected NEMA 2 (IP54) 3ft [1m] 10ft [3m] and 16ft [5m] |
| Overload Protection | electronic throughout 0° to 90° rotation |
| Input Impedance | 600 Ω |
| Angle of Rotation | 90° |
| Direction of Rotation (Motor) | reversible with built-in switch |
| Position Indication | integrated into handle |
| Manual Override | external push button |
| Running Time (Motor) | 90 sec (default), Optional (90 or 150 sec) |
| Ambient Temperature Range | -22°F to 122°F [-30°C to 50°C] |
| Storage Temperature Range | -40°F to 176°F [-40°C to 80°C] |
| Housing | NEMA 2, IP54 |
| Agency Listings† | cULus acc. to UL60730-1A/-2-14, CAN/CSA E60730-1:02, CE acc. to 2004/108/EC and 2006/95/EC |
| Noise Level (Motor) | <45 dB (A) |
| Servicing | maintenance free |
| Quality Standard | ISO 9001 |

†Rated Impulse Voltage 4kV, Type of action 1, Control Pollution Degree 3.

Date created, 06/28/2017 - Subject to change. © Belimo Aircontrols (USA), Inc.

Wiring Diagrams
INSTALLATION NOTES

- Actuators with appliance cables are numbered.
- Provide overload protection and disconnect as required.
- Actuators may be connected in parallel. Power consumption and input impedance must be observed.
- Meets cULus requirements without the need of an electrical ground connection.

WARNING! LIVE ELECTRICAL COMPONENTS!
 During installation, testing, servicing and troubleshooting of this product, it may be necessary to work with live electrical components. Have a qualified licensed electrician or other individual who has been properly trained in handling live electrical components perform these tasks. Failure to follow all electrical safety precautions when exposed to live electrical components could result in death or serious injury.

