

# B316, 3-Way, Characterized Control Valve

## Stainless Steel Ball and Stem



| Technical Data                    |  |
|-----------------------------------|--|
| Service                           | chilled, hot water, up to 60% glycol                                   |
| Flow Characteristic               | A-port equal percentage, B-port modified for constant common port flow |
| Controllable Flow Range           | 75°  |
| Size [mm]                         | 0.5" [15]  |
| End Fitting                       | NPT female ends  |
| Body                              | forged brass, nickel plated  |
| Ball                              | stainless steel  |
| Stem                              | stainless steel  |
| Stem Packing                      | EPDM (lubricated)  |
| Seat                              | Teflon® PTFE   |
| Seat O-ring                       | EPDM (lubricated)  |
| Characterized Disc                | TEFZEL®  |
| Body Pressure Rating [psi]        | 600  |
| Media Temperature Range (Water)   | 0°F to 250°F [-18°C to 120°C]  |
| Max Differential Pressure (Water) | 50 psi (345 kPa)   |
| Close-Off Pressure                | 200 psi  |
| Cv                                | 16   |
| Weight                            | 0.7 lb [0.3 kg]  |
| Leakage                           | 0% for A to AB, <2.0% for B to AB                                      |
| Servicing                         | maintenance free   |

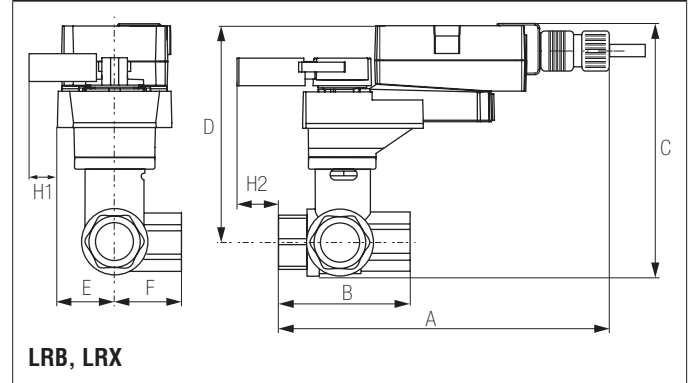
### Application

This valve is typically used in air handling units on heating or cooling coils, and fan coil unit heating or cooling coils. Some other common applications include Unit Ventilators, VAV box re-heat coils and bypass loops. This valve is suitable for use in a hydronic system with variable or constant flow.

### Suitable Actuators

|      | Non-Spring     | Spring     |
|------|----------------|------------|
| B316 | TR, LR, NRB(X) | TFB(X), LF |

### Dimensions (Inches [mm])



| A          | B         | C           | D        | E         | F | H1         | H2        |
|------------|-----------|-------------|----------|-----------|---|------------|-----------|
| 8.5" [216] | 2.4" [61] | 5.19" [132] | 5" [127] | 1.3" [33] |   | 1.18" [30] | 1.1" [28] |

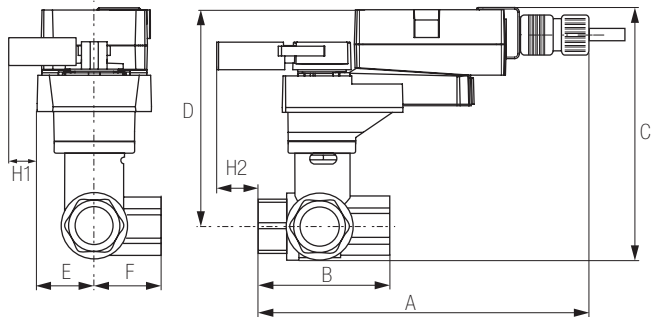
### Flow Pattern



Date created, 10/27/2017 - Subject to change. © Belimo Aircontrols (USA), Inc.

## B316, 3-Way, Characterized Control Valve Stainless Steel Ball and Stem

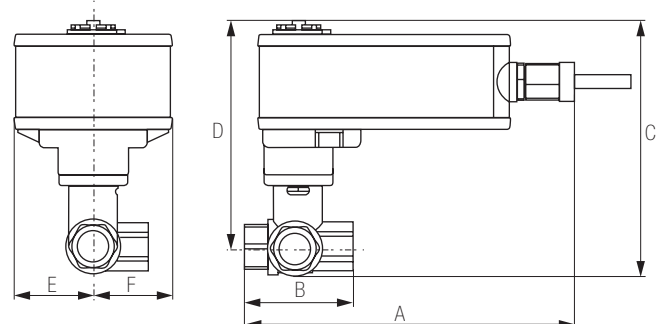
### Dimensions (Inches [mm])



LRQB, LRQX

| A     | B    | C     | D     | E     | F    | H1    | H2   |
|-------|------|-------|-------|-------|------|-------|------|
| 8.9"  | 2.4" | 5.74" | 5.16" | 1.58" | [40] | 1.18" | 1.3" |
| [226] | [61] | [146] | [131] |       |      | [30]  | [33] |

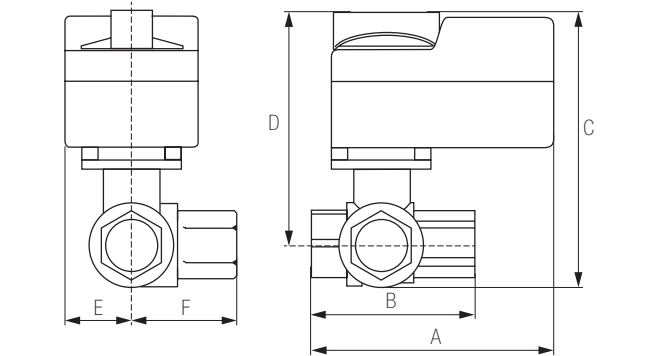
### Dimensions (Inches [mm])



LF

| A     | B    | C     | D     | E     | F    |
|-------|------|-------|-------|-------|------|
| 7.9"  | 2.4" | 5.67" | 5.09" | 1.82" | [46] |
| [201] | [61] | [144] | [129] | [46]  |      |

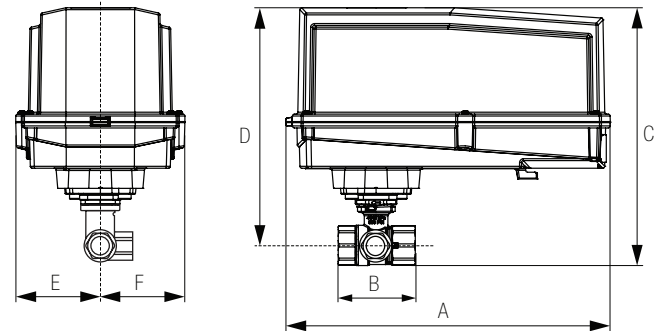
### Dimensions (Inches [mm])



TR

| A     | B    | C     | D     | E     | F    |
|-------|------|-------|-------|-------|------|
| 3.72" | 2.4" | 4.79" | 4.21" | 1.25" | [31] |
| [95]  | [61] | [122] | [107] | [32]  |      |

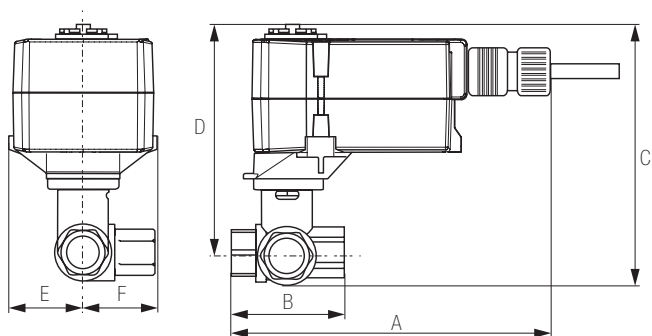
### Dimensions (Inches [mm])



NRB N4, NRX N4

| A      | B    | C     | D     | E     | F    |
|--------|------|-------|-------|-------|------|
| 11.36" | 2.4" | 7.25" | 6.67" | 3.15" | [80] |
| [289]  | [61] | [184] | [169] | [80]  |      |

### Dimensions (Inches [mm])



TFRB, TFRX

| A     | B    | C     | D     | E     | F    |
|-------|------|-------|-------|-------|------|
| 6.59" | 2.4" | 4.9"  | 4.32" | 1.53" | [38] |
| [167] | [61] | [124] | [110] | [38]  |      |

# LF24-MFT US, Valve Actuator

Modulating, Spring Return, Multi-Function Technology®



| Technical Data                    |   |
|-----------------------------------|---|
| Power Supply                      | 24 VAC, ±20%, 50/60 Hz, 24 VDC, ±10%  |
| Power Consumption Running         | 2.5 W   |
| Power Consumption Holding         | 1 W   |
| Transformer Sizing                | 5 VA (class 2 power source)   |
| Electrical Connection             | 3ft [1m], 18 GA appliance cable with 1/2" conduit connector                                       |
| Overload Protection               | electronic throughout 0° to 95° rotation  |
| Operating Range Y                 | 2 to 10 VDC, 4 to 20 mA w/ ZG-R01 (500 Ω, 1/4 W resistor), variable (VDC, floating point, on/off) |
| Input Impedance                   | 100 k Ω for 2 to 10 VDC (0.1 mA), 500 Ω for 4 to 20 mA, 1500 Ω for PWM, floating point and On/Off |
| Feedback Output U                 | 2 to 10 VDC, 0.5 mA max, VDC variable   |
| Angle of Rotation                 | 90°   |
| Direction of Rotation (Motor)     | reversible with built-in switch   |
| Direction of Rotation (Fail-Safe) | reversible with CW/CCW mounting   |
| Position Indication               | visual indicator, 0° to 95° (0° is full spring return position)                                   |
| Running Time (Motor)              | 150 sec   |
| Running Time (Fail-Safe)          | <25 sec @ -4°F to 122°F [-20°C to 50°C], <60 sec @ -22°F [-30°C]                                  |
| Ambient Temperature Range         | -22°F to 122°F [-30°C to 50°C]  |
| Storage Temperature Range         | -40°F to 176°F [-40°C to 80°C]  |
| Housing                           | NEMA 2, IP54  |
| Agency Listings†                  | cULus acc. To UL 873 and CAN/CSA C22.2 No. 24-93  |
| Noise Level (Motor)               | <50 dB (A)  |
| Noise Level (Fail-Safe)           | <62 dB (A)  |
| Servicing                         | maintenance free  |
| Quality Standard                  | ISO 9001  |

†Rated Impulse Voltage 800V, Type of action 1.AA, Control Pollution Degree 3  
 \*Variable when configured with MFT options.

Date created, 11/29/2017 - Subject to change. © Belimo Aircontrols (USA), Inc.

## Wiring Diagrams

### INSTALLATION NOTES

- Actuators with appliance cables are numbered.
- Provide overload protection and disconnect as required.
- Actuators may be connected in parallel. Power consumption and input impedance must be observed.
- Apply only AC line voltage or only UL-Class 2 voltage to the terminals of auxiliary switches. Mixed or combined operation of line voltage/safety extra low voltage is not allowed.
- Actuators may also be powered by 24 VDC.
- Two built-in auxiliary switches (2x SPDT), for end position indication, interlock control, fan startup, etc.
- Only connect common to negative (-) leg of control circuits.
- A 500 Ω resistor (ZG-R01) converts the 4 to 20 mA control signal to 10 VDC.
- Control signal may be pulsed from either the Hot (Source) or Common (Sink) 24 VAC line.
- For triac sink the Common connection from the actuator must be connected to the Hot connection of the controller. Position feedback cannot be used with a triac sink controller; the actuator internal common reference is not compatible.
- Actuators may be connected in parallel if not mechanically linked. Power consumption and input impedance must be observed.
- IN4004 or IN4007 diode. (IN4007 supplied, Belimo part number 40155).
- Meets cULus requirements without the need of an electrical ground connection.
- Actuators are provided with color coded wires. Wire numbers are provided for reference.
- WARNING! LIVE ELECTRICAL COMPONENTS!** During installation, testing, servicing and troubleshooting of this product, it may be necessary to work with live electrical components. Have a qualified licensed electrician or other individual who has been properly trained in handling live electrical components perform these tasks. Failure to follow all electrical safety precautions when exposed to live electrical components could result in death or serious injury.

**On/Off**

**Floating Point**

**VDC/mA Control**

**PWM Control**

**Override Control**

| Functions | a                      | b | c |
|-----------|------------------------|---|---|
| Min       | 0% ←                   | ↘ | ↘ |
| Mid       | 50% ←                  | ↘ | ↘ |
| Max       | 100% ←                 | ↘ | ↘ |
| Normal    | Control mode acc. to Y | ↘ | ↘ |