

# B6300S-110, 2-Way, Characterized Control Valve

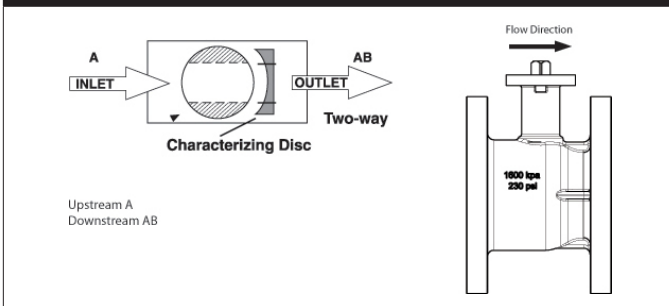
## Stainless Steel Ball and Stem



### Technical Data

Service	chilled, hot water, up to 60% glycol
Flow Characteristic	equal percentage
Controllable Flow Range	75°
Size [mm]	3" [80]
End Fitting	pattern to mate with ANSI 125 flange
Body	cast iron - GG25
Ball	stainless steel
Stem	stainless steel
Stem Packing	EPDM (lubricated)
Seat	Teflon® PTFE
Seat O-ring	EPDM (lubricated)
Characterized Disc	stainless steel
Body Pressure Rating [psi]	ANSI 125, standard class B
Number of Bolt Holes	4
Media Temperature Range (Water)	0°F to 250°F [-18°C to 120°C]
Max Differential Pressure (Water)	50 psi (345 kPa)
Close-Off Pressure	100 psi
Cv	110
Weight	32 lb [14.5 kg]
Leakage	0% for A to AB
Servicing	maintenance free

### Flow Pattern



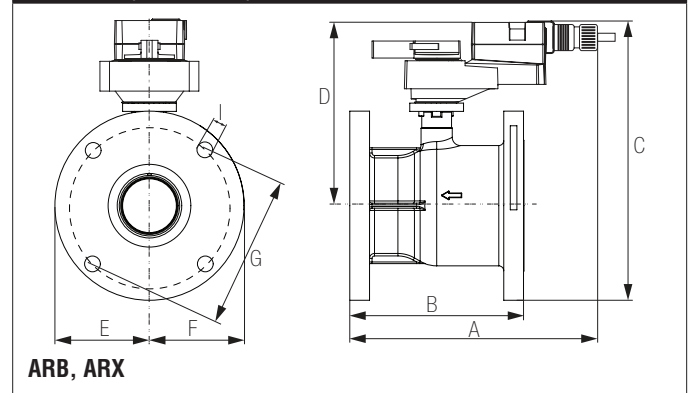
### Application

This valve is typically used in air handling units on heating or cooling coils, and fan coil unit heating or cooling coils. Some other common applications include Unit Ventilators, VAV box re-heat coils and bypass loops. This valve is suitable for use in a hydronic system with variable or constant flow.

### Suitable Actuators

	Non-Spring	Spring
B6300S-110	ARB(X)	AFRB(X)

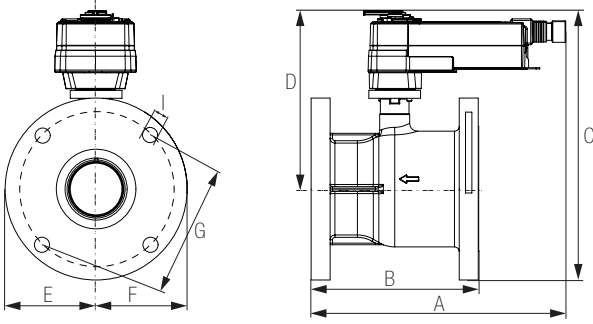
### Dimensions (Inches [mm])



A	B	C	D	E	F	G	I
9.61" [244]	6.61" [168]	12.01" [309]	7.79" [198]	3.94" [100]	6" [152]	0.75" [19]	

Date created, 11/01/2016 - Subject to change. © Belimo Aircontrols (USA), Inc.

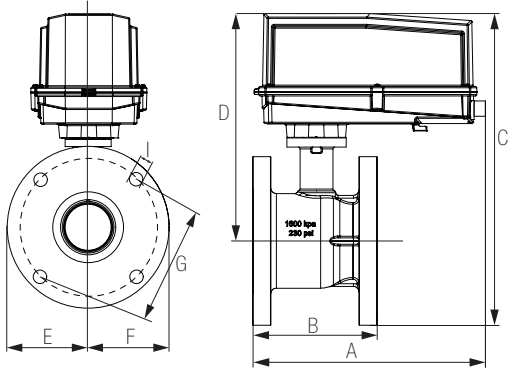
**Dimensions (Inches [mm])**



**AFRB, AFRX**

A	B	C	D	E	F	G	I
9.61" [244]	6.61" [168]	12.79" [325]	9.37" [238]	3.94" [100]		6" [152]	0.75" [19]

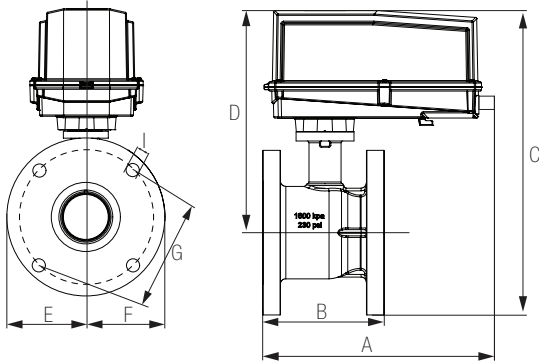
**Dimensions (Inches [mm])**



**ARX**

A	B	C	D	E	F	G	I
13.25" [337]	6.61" [168]	15.00" [381]	10.47" [266]	3.94" [100]		6" [152]	0.75" [19]

**Dimensions (Inches [mm])**



**AFRX**

A	B	C	D	E	F	G	I
16" [406]	6.61" [168]	16.61" [421.9]	11.94" [302.23]	3.94" [100]		6" [152]	0.75" [19]

# ARX24-MFT-T N4

NEMA 4, Modulating Control, Non-Spring Return, Direct Coupled, 24 V, Multi-Function Technology®



Technical Data	
Power Supply	24 VAC $\pm$ 20%, 50/60 Hz, 24 VDC $\pm$ 10%
Power Consumption Running	3.5
Power Consumption Holding	1.3 W
Transformer Sizing	6 VA (class 2 power source)
Electrical Connection	terminal block
Overload Protection	electronic throughout 0° to 90° rotation
Operating Range Y	2 to 10 VDC, 4 to 20 mA w/ ZG-R01 (500 $\Omega$ , 1/4 W resistor), variable (VDC, floating point, on/off)
Input Impedance	100 k $\Omega$ for 2 to 10 VDC (0.1 mA), 500 $\Omega$ for 4 to 20 mA, 1500 $\Omega$ for PWM, floating point and On/Off
Feedback Output U	2 to 10 VDC, 0.5 mA max, VDC variable
Angle of Rotation	90°
Direction of Rotation (Motor)	reversible with built-in switch
Position Indication	pointer
Manual Override	under cover
Running Time (Motor)	150 sec (default), variable (90 to 150 sec)
Ambient Temperature Range	-22°F to 122°F [-30°C to 50°C]
Storage Temperature Range	-40°F to 176°F [-40°C to 80°C]
Housing	NEMA 4X, IP66/67, UL enclosure type 4
Agency Listings†	cULus acc. to UL60730-1A/-2-14, CAN/CSA E60730-1:02, CE acc. to 2004/108/EC
Noise Level (Motor)	<45 dB (A)
Servicing	maintenance free
Quality Standard	ISO 9001

†Rated Impulse Voltage 800V, Type of action 1, Control Pollution Degree 4.

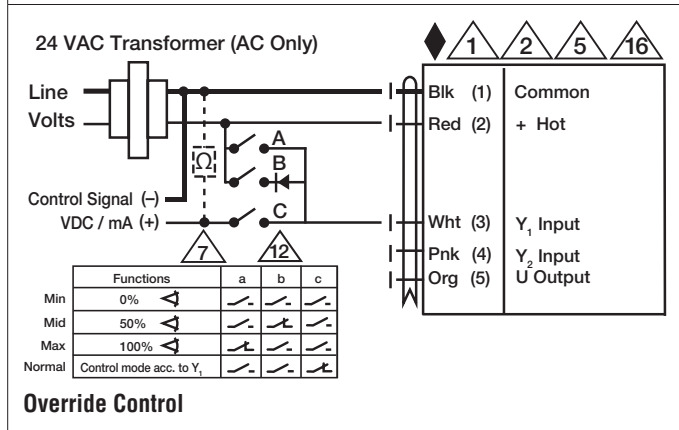
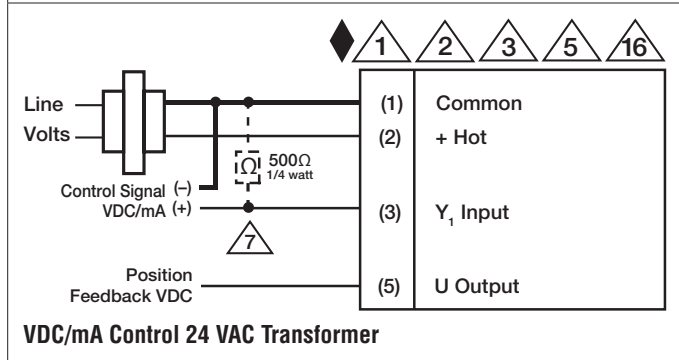
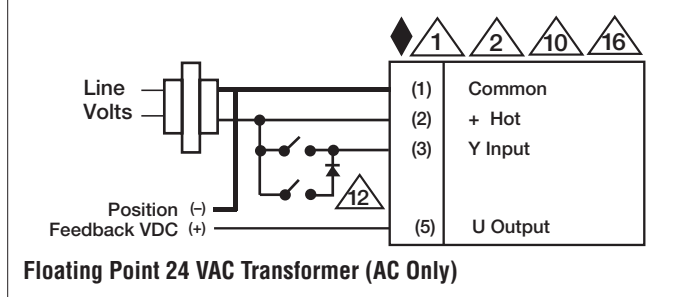
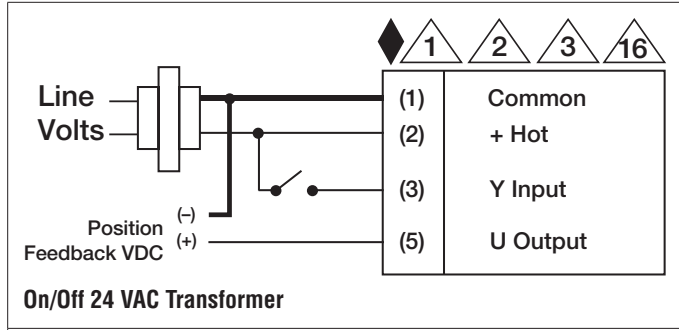
Date created, 05/04/2017 - Subject to change. © Belimo Aircontrols (USA), Inc.

**Wiring Diagrams**

**✂ INSTALLATION NOTES**

- 1 Provide overload protection and disconnect as required.
  - 2 Actuators may be connected in parallel. Power consumption and input impedance must be observed.
  - 3 Actuators may also be powered by 24 VDC.
  - 5 Only connect common to negative (-) leg of control circuits.
  - 7 A 500 Ω resistor (ZG-R01) converts the 4 to 20 mA control signal to 2 to 10 VDC.
  - 10 For triac sink the Common connection from the actuator must be connected to the Hot connection of the controller. Position feedback cannot be used with a triac sink controller; the actuator internal common reference is not compatible.
  - 12 IN4004 or IN4007 diode. (IN4007 supplied, Belimo part number 40155).
  - 16 Actuators are provided with a numbered screw terminal strip instead of a cable.
- ◆ Meets cULus requirements without the need of an electrical ground connection.

**⚠ WARNING! LIVE ELECTRICAL COMPONENTS!**  
 During installation, testing, servicing and troubleshooting of this product, it may be necessary to work with live electrical components. Have a qualified licensed electrician or other individual who has been properly trained in handling live electrical components perform these tasks. Failure to follow all electrical safety precautions when exposed to live electrical components could result in death or serious injury.



Date created, 05/04/2017 - Subject to change. © Belimo Aircontrols (USA), Inc.