

F6300L, 12", 2-Way Butterfly Valve

Resilient Seat, 304 Stainless Steel Disc

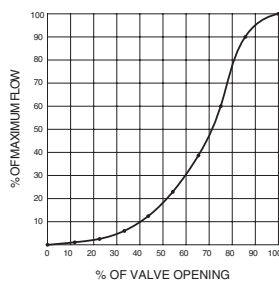


Technical Data

| | |
|---------------------------------|---|
| Service | chilled, hot water, up to 60% glycol |
| Flow Characteristic | modified equal percentage |
| Controllable Flow Range | 90° rotation |
| Size [mm] | 12" [300] |
| End Fitting | for use with ansi class 125/150 flanges |
| Body | ductile iron ASTM A536 |
| Body Finish | polyester powder coated |
| Seat | EPDM |
| Shaft | 420 stainless steel |
| Bushings | steel, PTFE (typical) |
| Disc | 304 stainless steel |
| Body Pressure Rating [psi] | 232 |
| Number of Bolt Holes | 12 |
| Lug Threads | 7/8-9 UNC |
| Media Temperature Range (Water) | -22°F to 250°F [-30°C to 120°C] |
| Close-Off Pressure | 200 psi |
| Rangeability | 10:1 |
| Maximum Velocity | 12 FPS |
| Cv | 8250 |
| Leakage | 0% |
| Servicing | maintenance free |

When installing in Victaulic piping systems, use Victaulic 41 series flange nipples. 741 flanges not recommended without the use of adapter rings. L-Series Butterfly valves are designed to be installed between ANSI 125/150 flat-faced, raised face, slip-on or weld neck flanges. Do NOT use flange gaskets on L-Series Butterfly valves.

Flow Pattern



Application

Valve is designed for use in ANSI flanged piping systems to meet the needs of bi-directional high flow HVAC hydronic applications with 0% leakage. Typical applications include cooling tower bypass, primary flow change-over systems, and large air handler coil control.

Jobsite Note

Valve assembly should be stored in a weather protected area prior to installation. Reference the butterfly valve installation instruction for additional information.

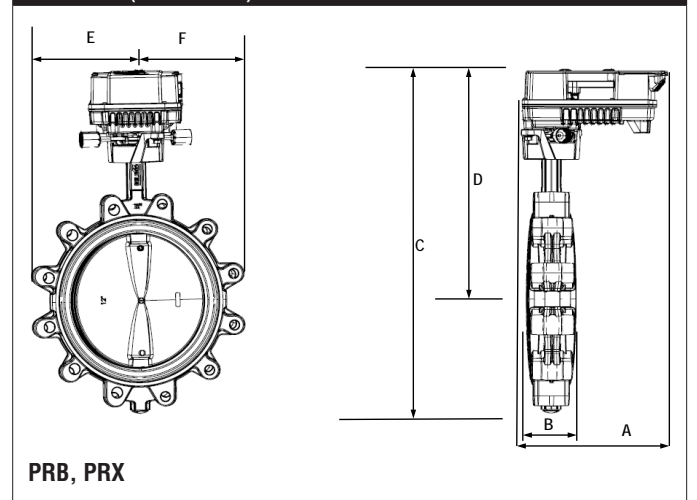
Flow/Cv

| Cv 10° | Cv 20° | Cv 30° | Cv 40° | Cv 50° | Cv 60° | Cv 70° | Cv 80° | Cv 90° |
|--------|--------|--------|--------|--------|--------|--------|--------|--------|
| 4 | 234 | 495 | 1072 | 1911 | 3162 | 5005 | 7507 | 8250 |

Suitable Actuators

| | Non-Spring | Electronic Fail-Safe |
|--------|------------|----------------------|
| F6300L | PRB(X) | PKRB(X) |

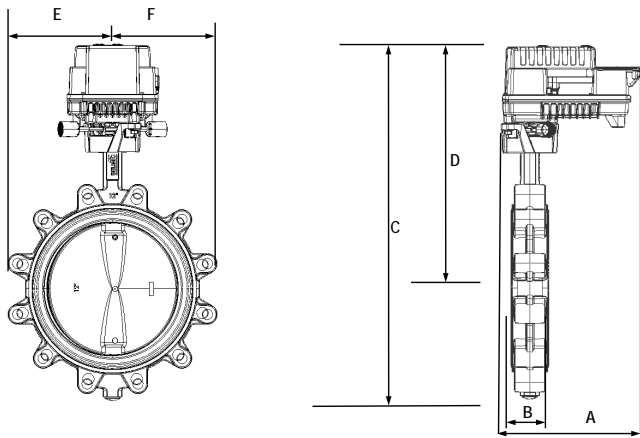
Dimensions (Inches [mm])



| A | B | C | D | E | F |
|-------------|-----------|--------------|-------------|-------------|---|
| 12.2" [310] | 3" [76.2] | 29.15" [740] | 23.4" [594] | 9.26" [234] | |

Date created, 09/21/2017 - Subject to change. © Belimo Aircontrols (USA), Inc.

Dimensions (Inches [mm])



PKR

| A | B | C | D | E | F |
|-------------|-----------|-----------------|-------------------|-------------|---|
| 12.2" [310] | 3" [76.2] | 30.94" [786] | 25.13" [638.3] | 9.26" [234] | |

PKRXUP-MFT-T

Modulating, Electronic Fail-Safe Return, 24-240 V, NEMA 4X with BACnet



Technical Data

| | |
|-----------------------------------|---|
| Power Supply | 24...240 VAC, -20% / +10%, 50/60 Hz, 24...125 VDC, -20% / +10% |
| Power Consumption Running | 52 W @ 24 V, 40 W @ 120 V, 40 W @ 230 V |
| Power Consumption Holding | 7 W @ 24 V, 8 W @ 120 V, 9 W @ 230 V |
| Transformer Sizing | 55 VA @ 24 VAC/DC (class 2 power source), 43 VA @ 120 VAC/DC, 68 VA @ 230 VAC |
| Electrical Connection | terminal block |
| Overload Protection | electronic throughout 0° to 90° rotation |
| Operating Range Y | 2 to 10 VDC, 4 to 20 mA variable (VDC, floating point, on/off) |
| Input Impedance | 100 k Ω for 2 to 10 VDC (0.1 mA), 500 Ω for 4 to 20 mA, 1500 Ω for On/Off |
| Feedback Output U | 2 to 10 VDC, 0.5 mA max, VDC variable |
| Angle of Rotation | 90° |
| Nominal Torque | Min. 1400 in-lbs [160 Nm] |
| Direction of Rotation (Motor) | reversible with app |
| Direction of Rotation (Fail-Safe) | reversible with app |
| Fail-Safe Position | adjustable with APP 0 to 100% |
| Position Indication | top mounted domed indicator |
| Manual Override | 7 mm hex crank, supplied |
| Running Time (Motor) | default 35 sec, variable 30...120 sec |
| Running Time (Fail-Safe) | <30 sec |
| Bridge Time | programmable 0 to 10 sec (2 sec default) delay before fail-safe activates |
| Pre-charging Time | 5 to 20 seconds |
| Ambient Humidity | 5 to 100% RH (UL Type 4) |
| Ambient Temperature Range | -22°F to 122°F [-30°C to 50°C] |
| Housing | NEMA 4X, IP66/67, UL Enclosure Type 4 |
| Housing Material | Aluminum die cast and plastic casing |
| Agency Listings† | cULus acc. to UL60730-1A/-2-14, CAN/CSA E60730-1:02, CE acc. to 2004/108/EC and 2006/95/EC |
| Noise Level (Motor) | 68 dB (A) |
| Noise Level (Fail-Safe) | <62 dB (A) |
| Servicing | maintenance free |
| Quality Standard | ISO 9001 |
| Weight | 14.1 lbs [6.4kg] |
| Auxiliary switch | 2 x SPDT, 3A resistive (0.5A inductive) @ 250 VAC, one set at 10°, one adjustable 0° to 90° |
| Communication | BACnet MS/TP |
| Passive Sensor Inputs | 2 (PT1000) (NI1000) (NTC) |
| Degree of Protection IEC/EN | IP66/67 |

Application

PR Series valve actuators are designed with an integrated linkage and visual position indicators. For outdoor applications, the installed valve must be mounted with the actuator at or above horizontal. For indoor applications the actuator can be in any location including directly under the valve.

Default/Configuration

Default parameters for 2 to 10 VDC applications of the PKR..-MFT actuator are assigned during manufacturing. If required, different parameters of the actuator can be ordered. These parameters are variable and can be modified by factory pre-set, the handheld ZTH US or using the Belimo App on a smart phone with Near Field Communications (NFC) programming.

Operation

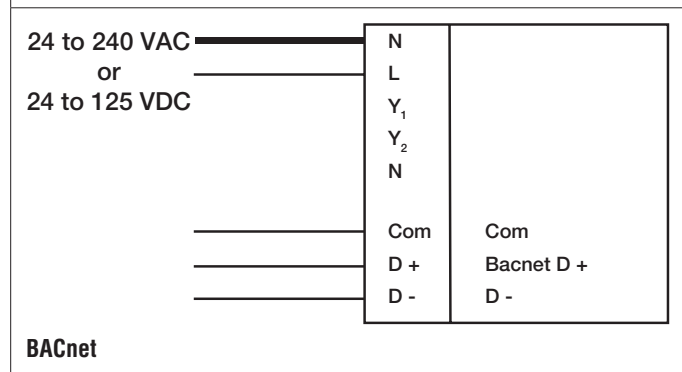
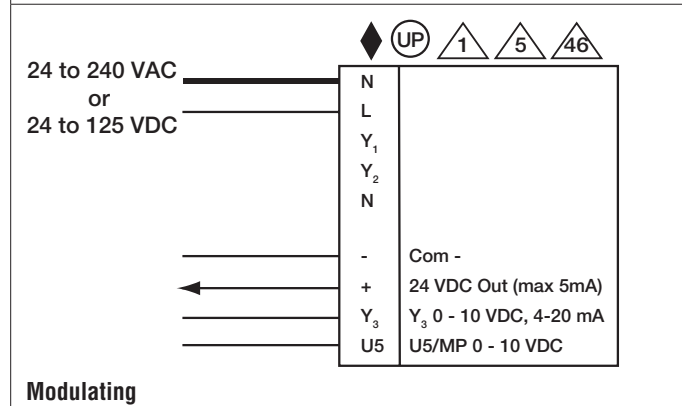
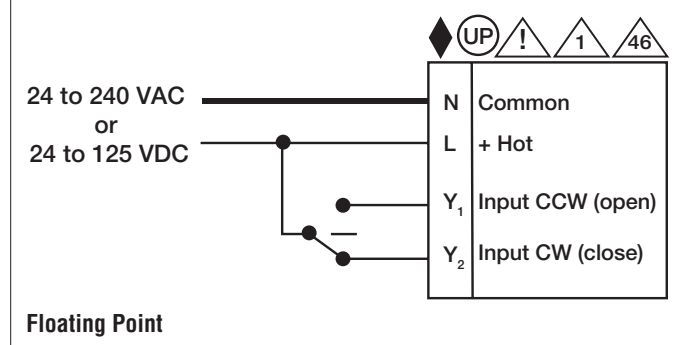
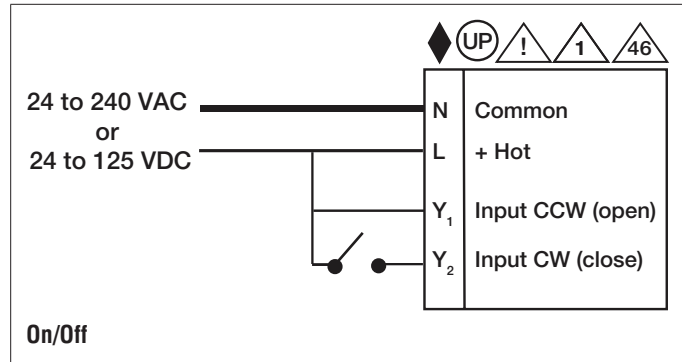
The PR series actuator provides 90° of rotation and a visual indicator shows the position of the valve. The PR Series actuator uses a low power consumption brushless DC motor and is electronically protected against overload. A universal power supply is furnished to connect supply voltage in the range of 24-240 VAC and 24-125 VDC. Included is a smart heater with thermostat to eliminate condensation. Two auxiliary switches are provided; one set at 10° open and the other is field adjustable. Running time is field adjustable from 30-120 seconds by using the Near Field Communication (NFC) app and a smart phone.

†Use 60°C/75°C copper wire size range 12-28 AWG, stranded or solid. Use flexible metal conduit. Push the listed conduit fitting device over the actuator's cable to butt against the enclosure. Screw in conduit connector. Jacket the actuators input wiring with listed flexible conduit. Properly terminate the conduit in a suitable junction box. Rated impulse Voltage 4000V. Type of action 1. Control pollution degree 3.

Wiring Diagrams

- ◆ Meets cULus requirements without the need of an electrical ground connection.
- UP Universal Power Supply (UP) models can be supplied with 24 VAC up to 240 VAC, or 24 VDC up to 240 VDC.
- ⚡ Disconnect power.
- 1 Provide overload protection and disconnect as required.
- 4 Two built-in auxiliary switches (2x SPDT), for end position indication, interlock control, fan startup, etc.
- 5 Only connect common to negative (-) leg of control circuits.
- 46 Actuators may be controlled in parallel. Current draw and input impedance must be observed.

! WARNING! LIVE ELECTRICAL COMPONENTS!
 During installation, testing, servicing and troubleshooting of this product, it may be necessary to work with live electrical components. Have a qualified licensed electrician or other individual who has been properly trained in handling live electrical components perform these tasks. Failure to follow all electrical safety precautions when exposed to live electrical components could result in death or serious injury.

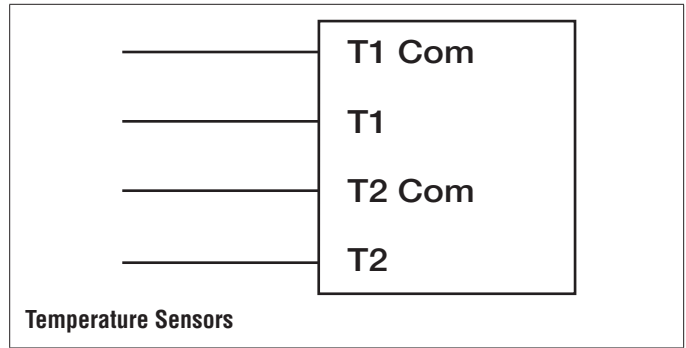


PKRXUP-MFT-T

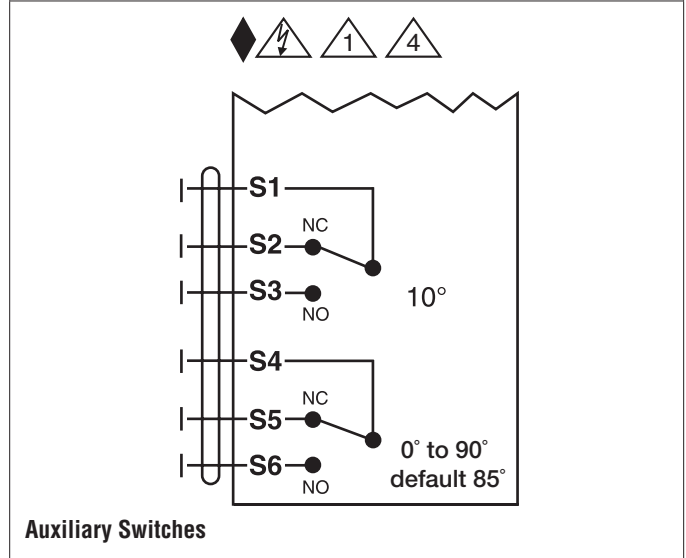
Modulating, Electronic Fail-Safe Return, 24-240 V, NEMA 4X with BACnet



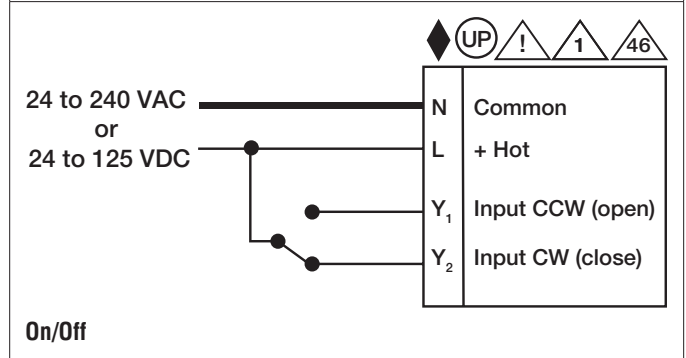
Date created, 03/19/2018 - Subject to change. © Belimo Aircontrols (USA), Inc.



Temperature Sensors



Auxiliary Switches



On/Off