

F7125HD, 5", 3-Way Butterfly Valve

Resilient Seat, 304 Stainless Steel Disc



Technical Data	
Service	chilled, hot water, up to 60% glycol
Flow Characteristic	modified linear
Controllable Flow Range	90° rotation
Size [mm]	5" [125]
End Fitting	For use with ANSI Class 125/150 flanges
Body	ductile iron ASTM A536
Body Finish	epoxy powder coated
Seat	EPDM standard
Shaft	416 stainless steel
Bushings	RPTFE
Disc	304 stainless steel
Body Pressure Rating [psi]	200 psi at -20°F to +150°F
Number of Bolt Holes	8
Lug Threads	3/4-10 UNC
Media Temperature Range (Water)	-22°F to 250°F [-30°C to 120°C]
Close-Off Pressure	200 psi
Rangeability	10:1 (for 30° to 70° range)
Maximum Velocity	12 FPS
Cv	1022
Weight	112.4 lb [51 kg]
Leakage	0%
Servicing	maintenance free

Application

Valve is designed for use in ANSI flanged piping systems to meet the needs of bi-directional high flow HVAC hydronic applications with 0% leakage. Typical applications include cooling tower bypass, primary flow change-over systems, and large air handler coil control.

Jobsite Note

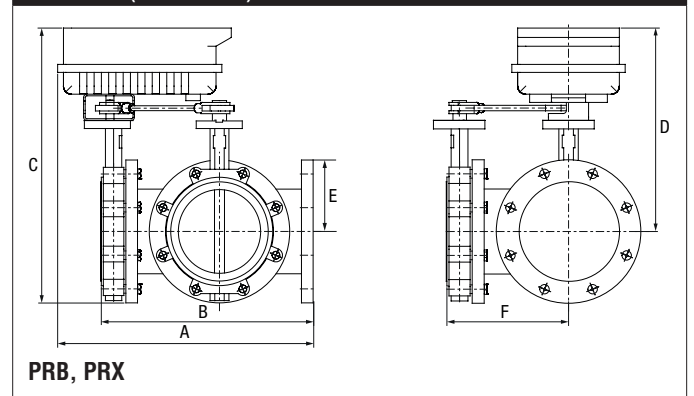
Valve assembly should be stored in a weather protected area prior to installation. Reference the butterfly valve installation instruction for additional information.

Flow/Cv								
Cv 10°	Cv 20°	Cv 30°	Cv 40°	Cv 50°	Cv 60°	Cv 70°	Cv 80°	Cv 90°
0.5	29	61	133	237	392	620	930	1022

Suitable Actuators

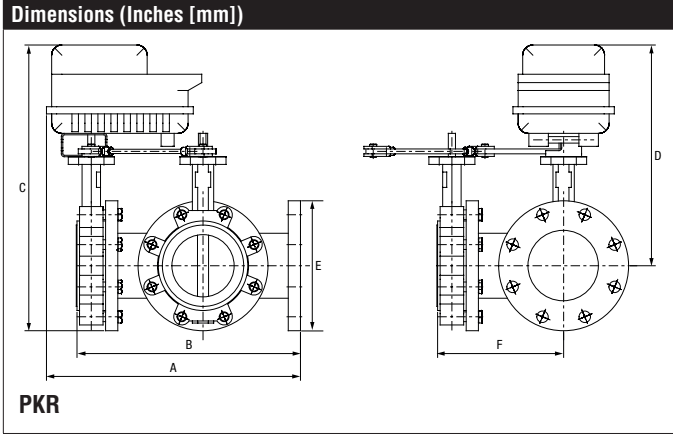
	Non-Spring	Electronic Fail-Safe
F7125HD	PRB(X)	PKRB(X)

Dimensions (Inches [mm])



A	B	C	D	E	F
19.55"	17.2"	19.74"	14.74"	5" [127]	9.7" [246.4]
[496.6]	[436.9]	[501.4]	[374.4]		

Date created, 03/16/2017 - Subject to change. © Belimo Aircontrols (USA), Inc.



A	B	C	D	E	F
19.55" [496.6]	17.2" [436.9]	21" [533]	17.00" [432]	10" [254]	9.7" [246.4]

PRXUP-3-T

On/Off, Floating Point, Non-Spring Return, 24-240 V, NEMA 4X



Technical Data

Power Supply	24...240 VAC, -20% / +10%, 50/60 Hz, 24...125 VDC, -20% / +10%
Power Consumption Running	20 W @ 24 V, 18 W @ 120 V, 20 W @ 230 V
Power Consumption Holding	3.5 W @ 24 V, 4 W @ 120 V, 6 W @ 230 V
Transformer Sizing	20 VA @ 24 VAC/DC (class 2 power source), 23 VA @ 120 VAC/DC, 52 VA @ 230 VAC
Electrical Connection	terminal block
Overload Protection	electronic throughout 0° to 90° rotation
Input Impedance	1000 Ω
Angle of Rotation	90°
Position Indication	integral pointer and bottom mounted reflective indicators
Manual Override	7 mm hex crank, supplied
Running Time (Motor)	35 sec
Ambient Humidity	5 to 100% RH (UL Type 4)
Ambient Temperature Range	-22°F to 122°F [-30°C to 50°C]
Housing	NEMA 4X, IP66/67, UL Enclosure Type 4X
Housing Material	aluminum die cast polycarbonate cover
Agency Listings†	cULus acc. to UL60730-1A/-2-14, CAN/CSA E60730-1:02, CE acc. to 2004/108/EC and 2006/95/EC
Noise Level (Motor)	68 dB (A)
Servicing	maintenance free
Quality Standard	ISO 9001
Weight	12.8 lbs [5.8kg]
Auxiliary switch	2 x SPDT, 3A resistive (0.5A inductive) @ 250 VAC, one set at 10°, one adjustable 0° to 90°

Application

PR Series valve actuators are designed with an integrated linkage and visual position indicators. For outdoor applications, the installed valve must be mounted with the actuator at or above horizontal. For indoor applications the actuator can be in any location including directly under the valve.

Operation

The PR series actuator provides 90° of rotation and a visual indicator shows the position of the valve. The PR Series actuator uses a low power consumption brushless DC motor and is electronically protected against overload. A universal power supply is furnished to connect supply voltage in the range of 24-240 VAC and 24-125 VDC. Included is a smart heater with thermostat to eliminate condensation. Two auxiliary switches are provided; one set at 10° open and the other is field adjustable. Running time is field adjustable from 30-120 seconds by using the Near Field Communication (NFC) app and a smart phone.

†Use 60°C/75°C copper wire size range 12-28 AWG, stranded or solid. Use flexible metal conduit. Push the listed conduit fitting device over the actuator's cable to butt against the enclosure. Screw in conduit connector. Jacket the actuators input wiring with listed flexible conduit. Properly terminate the conduit in a suitable junction box. Rated impulse Voltage 4000V. Type of action 1. Control pollution degree 3.

Wiring Diagrams

- ◆ Meets cULus requirements without the need of an electrical ground connection.
- UP Universal Power Supply (UP) models can be supplied with 24 VAC up to 240 VAC, or 24 VDC up to 125 VDC.
- ⚡ Disconnect power.
- 1 Provide overload protection and disconnect as required.
- 4 Two built-in auxiliary switches (2x SPDT), for end position indication, interlock control, fan startup, etc.
- 46 Actuators may be controlled in parallel. Current draw and input impedance must be observed.

WARNING! LIVE ELECTRICAL COMPONENTS!
 During installation, testing, servicing and troubleshooting of this product, it may be necessary to work with live electrical components. Have a qualified licensed electrician or other individual who has been properly trained in handling live electrical components perform these tasks. Failure to follow all electrical safety precautions when exposed to live electrical components could result in death or serious injury.

