

G225B-K, 2-Way, Globe Valve, Bronze Trim



Technical Data

| | |
|---------------------------------------|---|
| Service | chilled or hot water, up to 60% glycol, steam |
| Flow Characteristic | modified equal percentage |
| Controllable Flow Range | stem up - open A to AB |
| Size [mm] | 1" [25] |
| End Fitting | NPT female ends |
| Body | bronze |
| Stem | stainless steel |
| Stem Packing | EPDM O-ring |
| Seat | bronze |
| Plug | brass |
| Body Pressure Rating [psi] | ANSI 250 |
| ANSI Class | ANSI 250 (up to 400 psi below 150°F) |
| Max Inlet Pressure (Steam) | 35 psi (241 kPa) |
| Media Temperature Range (Water) | 20°F to 280°F [-7°C to 138°C] |
| Media Temperature Range (Steam) | 32°F to 280°F [0°C to 138°C] |
| Maximum Differential Pressure (Steam) | 20 psi (103 kPa) |
| Max Differential Pressure (Water) | 35 psi (241 kPa) |
| Rangeability | 100:1 |
| Cv | 10 |
| Leakage | ANSI Class VI |
| Servicing | repack kits available |

Flow Pattern



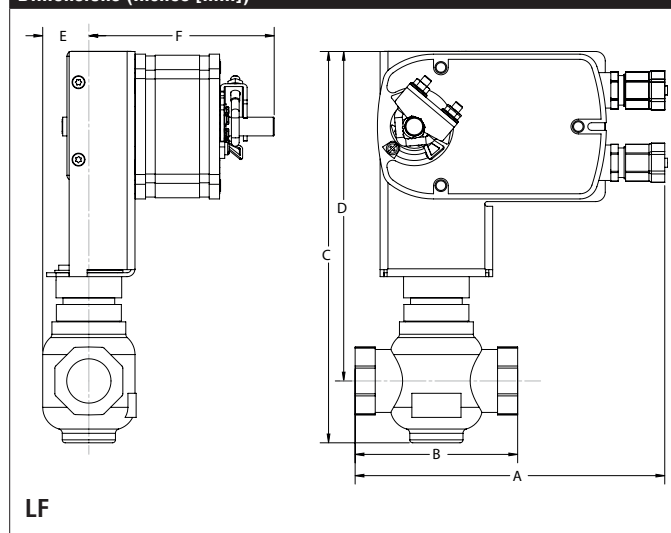
Application

This valve is typically used in air handling units on heating or cooling coils, and fan coil unit heating or cooling coils. Some other common applications include unit ventilators, VAV box re-heat coils and bypass loops. This valve is suitable for use in hydronic systems with variable flow. Bronze and stainless steel trim valves can be used for steam applications, depending on actuator and close-off combinations.

Suitable Actuators

| | Non-Spring | Spring | Electronic Fail-Safe |
|---------|------------|--------|----------------------|
| G225B-K | LVB(X) | LF | LVKB(X) |

Dimensions (Inches [mm])

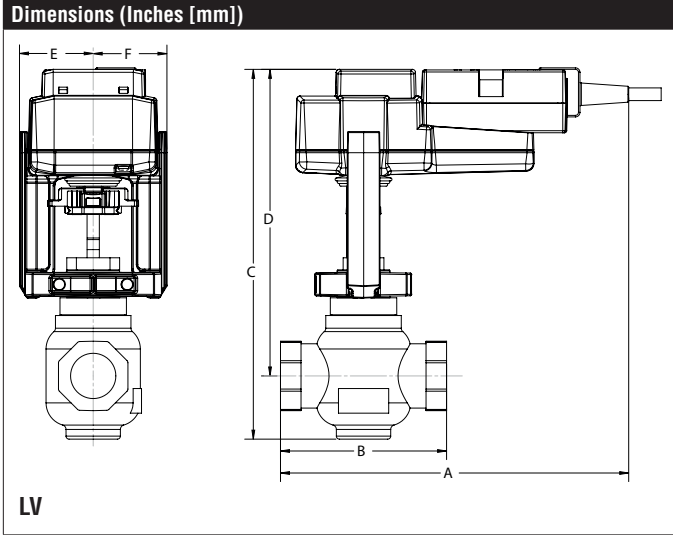


| A | B | C | D | E | F |
|------------|-------------|------------|---------------|-----------|-------------|
| 8.3" [211] | 4.39" [112] | 9.5" [241] | 7.63" [193.8] | 1.2" [31] | 4.94" [125] |

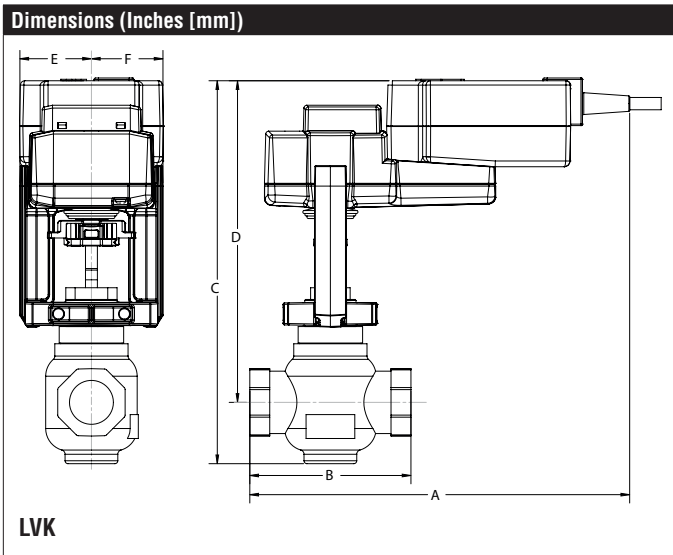
Piping

The valves should be mounted in a weather-protected area in a location that is within the ambient limits of the actuator. Allow sufficient room for valve with actuator and for service. The G2 and G3 preferred mounting position of the valve is with the valve stem vertical above the valve body, for maximum life. However, the assemblies can be mounted with the valve stem vertical or horizontal in relation to the pipe. The actuators should never be mounted underneath the valve, as condensation can build up and result in a failure of the actuators.

G225B-K, 2-Way, Globe Valve, Bronze Trim



| A | B | C | D | E | F |
|------------|-------------|------------|-------------|------------|---|
| 9.1" [231] | 4.39" [112] | 9.6" [244] | 8.01" [203] | 1.93" [49] | |



| A | B | C | D | E | F |
|-------------|-------------|-------------|------------|------------|---|
| 10.2" [259] | 4.39" [112] | 9.24" [238] | 8.6" [218] | 1.93" [49] | |

LF24-MFT US, Valve Actuator

Modulating, Spring Return, Multi-Function Technology®



| Technical Data | |
|-----------------------------------|---|
| Power Supply | 24 VAC, ±20%, 50/60 Hz, 24 VDC, ±10% |
| Power Consumption Running | 2.5 W |
| Power Consumption Holding | 1 W |
| Transformer Sizing | 5 VA (class 2 power source) |
| Electrical Connection | 3ft [1m], 18 GA appliance cable with 1/2" conduit connector |
| Overload Protection | electronic throughout 0° to 95° rotation |
| Operating Range Y | 2 to 10 VDC, 4 to 20 mA w/ ZG-R01 (500 Ω, 1/4 W resistor), variable (VDC, floating point, on/off) |
| Input Impedance | 100 k Ω for 2 to 10 VDC (0.1 mA), 500 Ω for 4 to 20 mA, 1500 Ω for PWM, floating point and On/Off |
| Feedback Output U | 2 to 10 VDC, 0.5 mA max, VDC variable |
| Angle of Rotation | 90° |
| Direction of Rotation (Motor) | reversible with built-in switch |
| Direction of Rotation (Fail-Safe) | reversible with CW/CCW mounting |
| Position Indication | visual indicator, 0° to 95° (0° is full spring return position) |
| Running Time (Motor) | 150 sec |
| Running Time (Fail-Safe) | <25 sec @ -4°F to 122°F [-20°C to 50°C], <60 sec @ -22°F [-30°C] |
| Ambient Temperature Range | -22°F to 122°F [-30°C to 50°C] |
| Storage Temperature Range | -40°F to 176°F [-40°C to 80°C] |
| Housing | NEMA 2, IP54 |
| Agency Listings† | cULus acc. To UL 873 and CAN/CSA C22.2 No. 24-93 |
| Noise Level (Motor) | <50 dB (A) |
| Noise Level (Fail-Safe) | <62 dB (A) |
| Servicing | maintenance free |
| Quality Standard | ISO 9001 |

†Rated Impulse Voltage 800V, Type of action 1.AA, Control Pollution Degree 3
 *Variable when configured with MFT options.

Date created, 11/29/2017 - Subject to change. © Belimo Aircontrols (USA), Inc.

Wiring Diagrams

INSTALLATION NOTES

- Actuators with appliance cables are numbered.
- Provide overload protection and disconnect as required.
- Actuators may be connected in parallel. Power consumption and input impedance must be observed.
- Apply only AC line voltage or only UL-Class 2 voltage to the terminals of auxiliary switches. Mixed or combined operation of line voltage/safety extra low voltage is not allowed.
- Actuators may also be powered by 24 VDC.
- Two built-in auxiliary switches (2x SPDT), for end position indication, interlock control, fan startup, etc.
- Only connect common to negative (-) leg of control circuits.
- A 500 Ω resistor (ZG-R01) converts the 4 to 20 mA control signal to 10 VDC.
- Control signal may be pulsed from either the Hot (Source) or Common (Sink) 24 VAC line.
- For triac sink the Common connection from the actuator must be connected to the Hot connection of the controller. Position feedback cannot be used with a triac sink controller; the actuator internal common reference is not compatible.
- Actuators may be connected in parallel if not mechanically linked. Power consumption and input impedance must be observed.
- IN4004 or IN4007 diode. (IN4007 supplied, Belimo part number 40155).
- Meets cULus requirements without the need of an electrical ground connection.
- Actuators are provided with color coded wires. Wire numbers are provided for reference.
- WARNING! LIVE ELECTRICAL COMPONENTS!** During installation, testing, servicing and troubleshooting of this product, it may be necessary to work with live electrical components. Have a qualified licensed electrician or other individual who has been properly trained in handling live electrical components perform these tasks. Failure to follow all electrical safety precautions when exposed to live electrical components could result in death or serious injury.

24 VAC Transformer

On/Off

24 VAC Transformer (AC Only)

Floating Point

24 VAC Transformer

VDC/mA Control

24 VAC Transformer (AC Only)

PWM Control

24 VAC Transformer (AC Only)

| Functions | a | b | c |
|-----------|------------------------|---|---|
| Min | 0% ← | ↘ | ↘ |
| Mid | 50% ← | ↘ | ↘ |
| Max | 100% ← | ↘ | ↘ |
| Normal | Control mode acc. to Y | ↘ | ↘ |

Override Control