

# G225S-K, 2-Way, Globe Valve, Stainless Steel Trim



### Technical Data

|                                       |   |
|---------------------------------------|---|
| Service                               | chilled or hot water, up to 60% glycol, steam |
| Flow Characteristic                   | modified equal percentage                     |
| Controllable Flow Range               | stem up - open A to AB                        |
| Size [mm]                             | 1" [25]                                       |
| End Fitting                           | NPT female ends                               |
| Body                                  | bronze  |
| Stem                                  | 316 stainless steel                           |
| Stem Packing                          | EPDM O-ring                                   |
| Seat                                  | 316 stainless steel                           |
| Plug                                  | 316 stainless steel                           |
| Body Pressure Rating [psi]            | ANSI 250                                      |
| ANSI Class                            | ANSI 250 (up to 400 psi below 150°F)          |
| Max Inlet Pressure (Steam)            | 100 psi (690 kPa)                             |
| Media Temperature Range (Water)       | 20°F to 338°F [-7°C to 170°C]                 |
| Media Temperature Range (Steam)       | 32°F to 338°F [0°C to 170°C]                  |
| Maximum Differential Pressure (Steam) | 50 psi (345 kPa)                              |
| Max Differential Pressure (Water)     | 35 psi (241 kPa)                              |
| Rangeability                          | 100:1   |
| Cv                                    | 10  |
| Leakage                               | ANSI Class VI                                 |
| Servicing                             | repack kits available                         |

### Flow Pattern



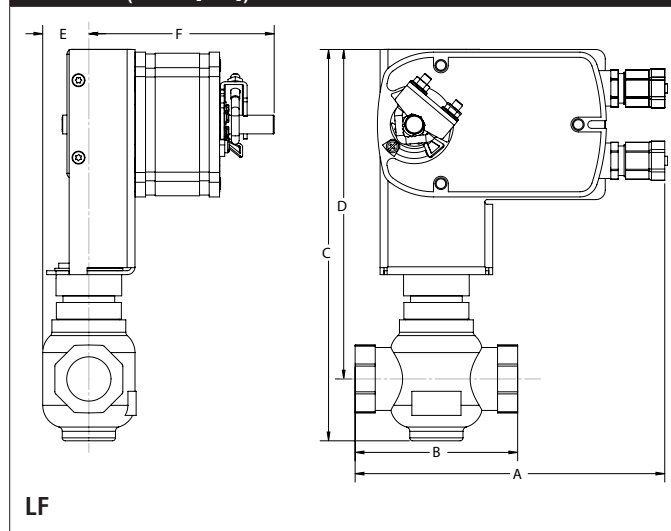
### Application

This valve is typically used in air handling units on heating or cooling coils, and fan coil unit heating or cooling coils. Some other common applications include unit ventilators, VAV box re-heat coils and bypass loops. This valve is suitable for use in hydronic systems with variable flow. Bronze and stainless steel trim valves can be used for steam applications, depending on actuator and close-off combinations.

### Suitable Actuators

|         | Non-Spring | Spring | Electronic Fail-Safe |
|---------|------------|--------|----------------------|
| G225S-K | LVB(X)     | LF     | LVKB(X)              |

### Dimensions (Inches [mm])

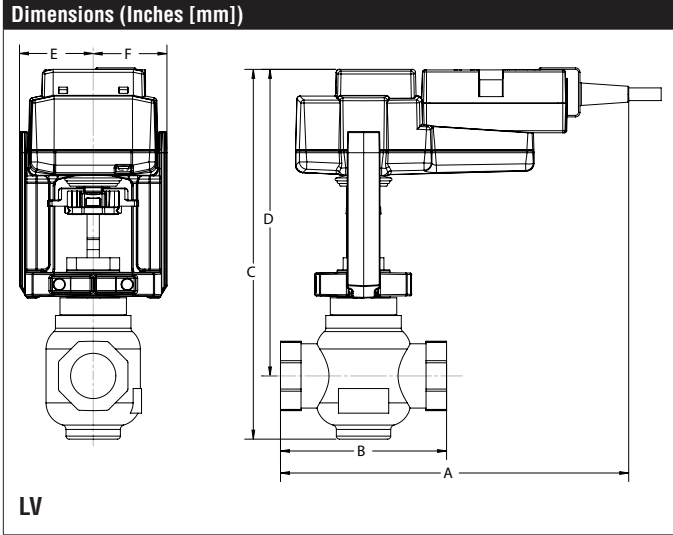


| A          | B           | C          | D             | E         | F           |
|------------|-------------|------------|---------------|-----------|-------------|
| 8.3" [211] | 4.39" [112] | 9.5" [241] | 7.63" [193.8] | 1.2" [31] | 4.94" [125] |

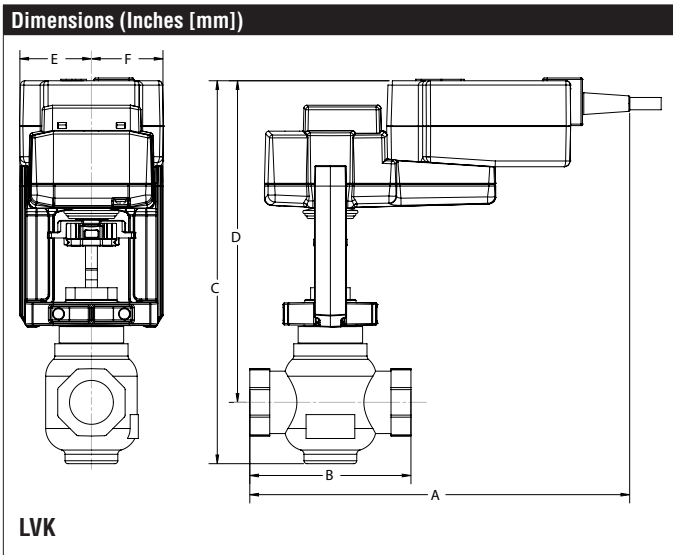
### Piping

The valves should be mounted in a weather-protected area in a location that is within the ambient limits of the actuator. Allow sufficient room for valve with actuator and for service. The G2 and G3 preferred mounting position of the valve is with the valve stem vertical above the valve body, for maximum life. However, the assemblies can be mounted with the valve stem vertical or horizontal in relation to the pipe. The actuators should never be mounted underneath the valve, as condensation can build up and result in a failure of the actuators.

## G225S-K, 2-Way, Globe Valve, Stainless Steel Trim



| A          | B           | C          | D           | E          | F |
|------------|-------------|------------|-------------|------------|---|
| 9.1" [231] | 4.39" [112] | 9.6" [244] | 8.01" [203] | 1.93" [49] |   |



| A           | B           | C           | D          | E          | F |
|-------------|-------------|-------------|------------|------------|---|
| 10.2" [259] | 4.39" [112] | 9.24" [238] | 8.6" [218] | 1.93" [49] |   |

# LVX24-MFT

Modulating, Non-Spring Return, Linear, 24 V, Multi-Function Technology®



| Technical Data                |  |
|-------------------------------|--|
| Power Supply                  | 24 VAC, ±20%, 50/60 Hz, 24 VDC, ±10%   |
| Power Consumption Running     | 2.5 W  |
| Power Consumption Holding     | 1.5 W  |
| Transformer Sizing            | 4 VA (class 2 power source)  |
| Electrical Connection         | 3ft [1m], 18 GA plenum rated cable with 1/2" conduit connector protected NEMA 2 (IP54)                 |
| Overload Protection           | electronic throughout full stroke  |
| Electrical Protection         | actuators are double insulated   |
| Operating Range Y             | 2 to 10 VDC, 4 to 20 mA w/ ZG-R01 (500 Ω, 1/4 W resistor), variable (VDC, PWM, floating point, on/off) |
| Input Impedance               | 100 k Ω for 2 to 10 VDC (0.1 mA), 500 Ω for 4 to 20 mA, 1500 Ω for PWM, floating point and On/Off      |
| Feedback Output U             | 2 to 10 VDC  |
| Stroke                        | 0.75" [19 mm]  |
| Actuating force motor         | 112 lbf [500 N]  |
| Direction of Rotation (Motor) | reversible with built-in switch  |
| Position Indication           | stroke indicator on bracket  |
| Manual Override               | 4 mm hex crank (shipped w/actuator)  |
| Running Time (Motor)          | 90 sec (default), variable (90 to 150 sec)   |
| Ambient Humidity              | 5 to 95% RH non-condensing   |
| Ambient Temperature Range     | -22°F to 122°F [-30°C to 50°C]   |
| Storage Temperature Range     | -40°F to 176°F [-40°C to 80°C]   |
| Housing                       | NEMA 2, IP42, UL Enclosure Type 2  |
| Housing Material              | Aluminum die cast and plastic casing   |
| Agency Listings†              | cULus acc. to UL60730-1A/-2-14, CAN/CSA E60730-1-02, CE acc. to 2004/108/EC and 2006/95/EC             |
| Noise Level (Motor)           | <55 dB (A)   |
| Servicing                     | maintenance free   |
| Quality Standard              | ISO 9001   |
| Weight                        | 2.9 lb [1.3 kg]  |

† Use flexible metal conduit. Push the listed conduit fitting device over the actuator's cable to butt against the enclosure. Screw in conduit connector. Jacket the actuators input wiring with listed flexible conduit. Properly terminate the conduit in a suitable junction box. Rated impulse Voltage 800V. Type of action 1. Control pollution degree 3.

†Rated Impulse Voltage 800V, Type of action 1.AA, Control Pollution Degree 3

**Wiring Diagrams**
**INSTALLATION NOTES**

- Actuators may be connected in parallel. Power consumption and input impedance must be observed.
- Actuators may also be powered by 24 VDC.
- A 500 Ω resistor (ZG-R01) converts the 4 to 20 mA control signal to 2 to 10 VDC.
- Control signal may be pulsed from either the Hot (Source) or Common (Sink) 24 VAC line.
- For triac sink the common connection from the actuator must be connected to the hot connection of the controller. Contact closures A & B also can be triacs. A & B should both be closed for the triac source and open for triac sink.
- Actuators with plenum cable do not have numbers; use color codes instead.
- Meets cULus requirements without the need of an electrical ground connection.

**WARNING! LIVE ELECTRICAL COMPONENTS!**  
 During installation, testing, servicing and troubleshooting of this product, it may be necessary to work with live electrical components. Have a qualified licensed electrician or other individual who has been properly trained in handling live electrical components perform these tasks. Failure to follow all electrical safety precautions when exposed to live electrical components could result in death or serious injury.

