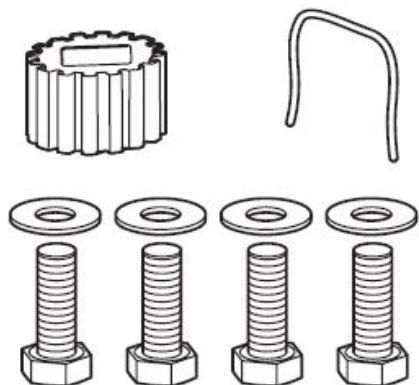


IND-PR04



Application

PR/PKR Retrofit valve linkage for use with 8"-12" L series 2-way butterfly valve.

Suitable Actuators

	Non-Spring	Electronic Fail-Safe
IND-PR04	PRB(X)	PKRB(X)

Technical Data

Ambient Temperature Range	-22°F to 122°F [-30°C to 50°C]
Servicing	maintenance free