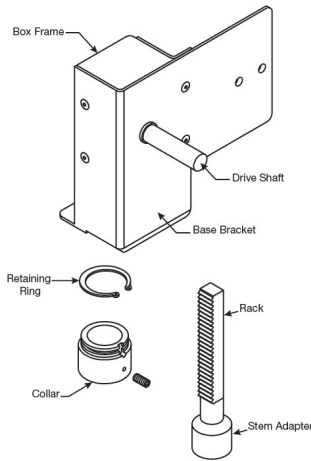


# UGLK1550 Retrofit Linkage for JCI V-3,4,5, VG2. Globe Valves

For Use with Belimo Rotary Actuators



Technical Data	
Applicable Valve Size	1/2" [15], 3/4" [20]
Hardware	stainless steel
Frame, plate, base	stainless steel
Collar	brass
Shaft	1/2" brass
Rack	sintered steel
Bearing	bronze
Stem Adaptor	brass
Stroke	1/2" (12 teeth)
Mounting Position	360°
Media Temperature Range (Water)	Please Refer to Manufacturer's Valve Specifications
Weight	2.8 lb [1.3 kg]

For close-off pressure reference Select Pro or Retrofit Technical Documentation.

## Application

The UGLK retrofit kit is designed to easily attach to the valve bonnet on select competitor valves utilizing Belimo actuators. The kit is used to restore service to the valve without removal of the valve, saving down time. The unique collar design allows the UGLK to be mounted on various two-way or three-way valves. In addition, the rack and pinion construction allow the linkage to be used with normally open and normally closed valves.

## Operation

The UGLK linkage provides downward travel with 95° rotation on the actuator. The linkage travel is based on the size of gear inside. The size of the gear is stamped on the frame. This allows the valve to extend fully open or closed based on signal. When directional needs vary, the actuator can be flipped or directional switch turned to a new rotation. The compact design allows for installation in tight spaces.

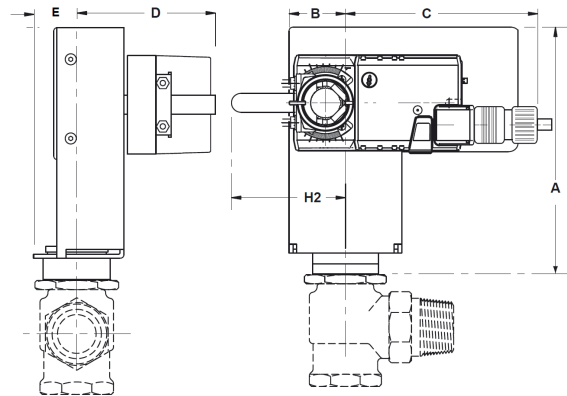
## Default/Configuration

The actuator is sold separately from the linkage. This allows users to select any actuator with the desired control signal. Since the linkage utilizes standard airside actuators, they can be purchased at any time and mounted in the field. Due to the free spring design of the linkage, clearance is not an issue. The linkage can be oriented at any angle on the bonnet.

## Suitable Actuators

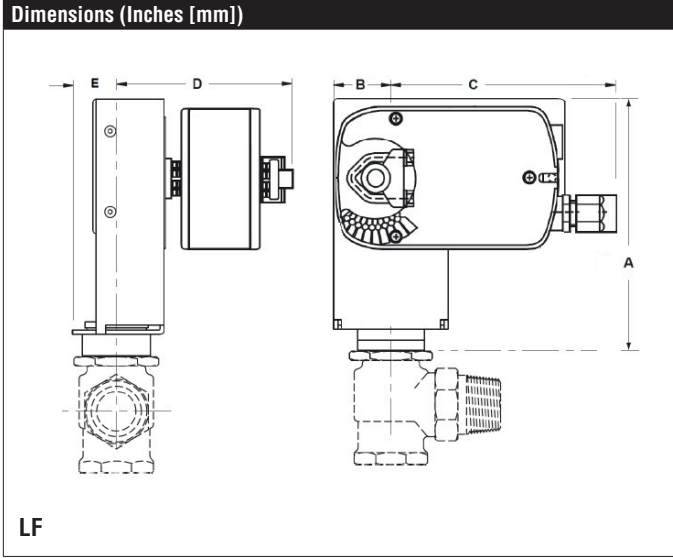
	Non-Spring	Spring
UGLK1550	LMB(X), NMB(X)	LF

## Dimensions (Inches [mm])



LMB, LMX, NMB, NMX

A	B	C	D	E	H2
6.5" [165]	1.50" [38.1]	6" [150]	4.6" [117]	1.25" [32]	3.5" [88.9]



A	B	C	D	E
6.5" [165]	1.50" [38.1]	6" [150]	4.6" [117]	1.25" [32]