

Z2050QS-J, 1/2", ZoneTight Valve



| Technical Data | |
|---|--------------------------------------|
| Service | chilled, hot water, up to 60% glycol |
| Flow Characteristic | equal percentage |
| Controllable Flow Range | 75° |
| Size [mm] | 0.5" [15] |
| End Fitting | Sweat |
| Body | forged brass |
| Ball | chrome plated brass |
| Stem | brass |
| Seat | Teflon® PTFE |
| Seat O-ring | EPDM (lubricated) |
| Diaphragm | EPDM |
| Body Pressure Rating [psi] | 360 |
| Media Temperature Range (Water) | 36°F to 212°F [2°C to 100°C] |
| Maximum Allowable Operating Temperature | 212°F [100°C] * |
| Media Temperature Limit | 250°F [121°C] * |
| Max Differential Pressure (Water) | 40 psi |
| Close-Off Pressure | 75 psi |
| Cv | 5.9 |
| Weight | 0.2 lb [0.1 kg] |
| Leakage | 0% |
| Servicing | maintenance free |

* If temperature exceeds 212°F operating range due to a boiler control failure the valve will safely contain the hot water but manufacturers product warranty becomes invalid. Valve and actuator replacement is at the expense of others.

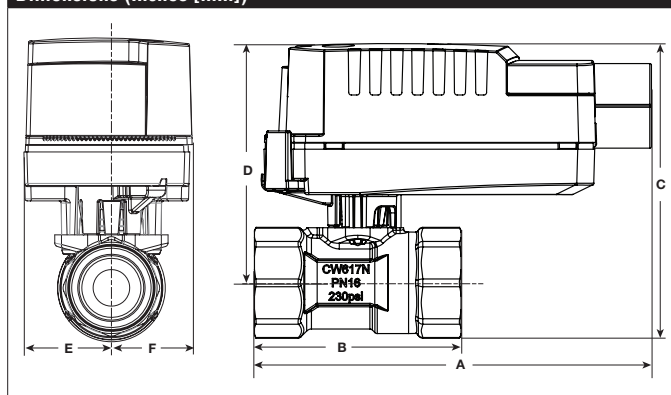
Application

The QCV zone valves are suited for large commercial buildings where higher close-off and the ability to change flow is desired. Common applications include unit ventilators, fan coil units, VAV reheat coils, fin tube casing, radiant panels and duct coils. The valve fits in space restricted areas and can be assembled without the use of tools.

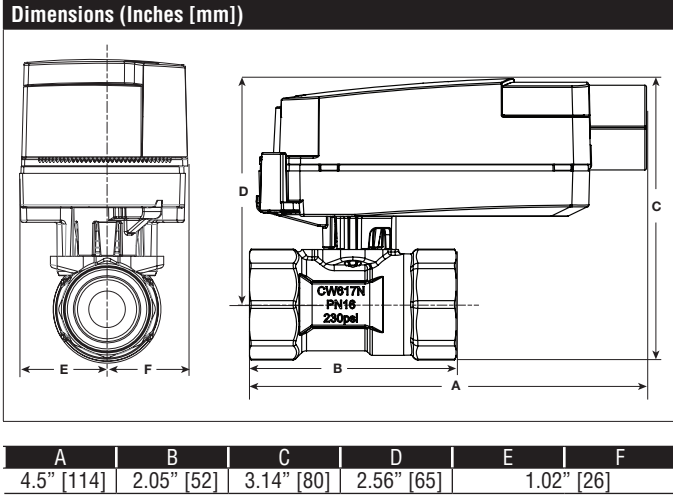
Suitable Actuators

| | Non-Spring | Electronic Fail-Safe |
|-----------|------------|----------------------|
| Z2050QS-J | CQ | CQK |

Dimensions (Inches [mm])



| A | B | C | D | E | F |
|------------|------------|------------|------------|---------------|------------|
| 4.5" [114] | 2.05" [52] | 3.27" [83] | 2.71" [69] | 0.94" [23.88] | 0.94" [24] |



CQKB24-S-RR

On/Off, Electronic-Fail-safe, 24V, with Aux. Switch



| Technical Data | |
|-----------------------------|--|
| Power Supply | 24 VAC, ±20%, 50/60 Hz, 24 VDC, ±10% |
| Power Consumption Running | 2.5 W |
| Power Consumption Holding | 0.5 W |
| Transformer Sizing | 5 VA (class 2 power source) |
| Electrical Connection | 3ft [1m], 18 GA plenum cable with 1/2" conduit connector |
| Overload Protection | electronic throughout 0° to 90° rotation |
| Operating Range Y | on/off |
| Angle of Rotation | 90°, adjustable with mechanical stop |
| Position Indication | pointer |
| Running Time (Motor) | 75 sec |
| Running Time (Fail-Safe) | <60 sec |
| Bridge Time | 2 sec delay before fail-safe activates |
| Pre-charging Time | 5 to 20 seconds |
| Ambient Humidity | 5 to 95% RH non-condensing |
| Ambient Temperature Range | 35°F to 104°F [1.7°C to 40°C] |
| Storage Temperature Range | -40°F to 176°F [-40°C to 80°C] |
| Housing | IP40, NEMA 2 |
| Housing Material | UL94-5VA |
| Agency Listings† | cULus acc. to UL60730-1A/-2-14, CAN/CSA E60730-1:02, CE acc. to 2004/108/EC and 2006/95/EC |
| Noise Level (Motor) | max. 35 dB (A) |
| Servicing | maintenance free |
| Quality Standard | ISO 9001 |
| Weight | 0.4 lb [0.2 kg] |
| Auxiliary switch | 1 x SPST, 1A resistive @ 30 VDC, |
| Degree of Protection IEC/EN | IP40 |

† Use flexible metal conduit. Push the listed conduit fitting device over the actuator's cable to butt against the enclosure. Screw in conduit connector. Jacket the actuators input wiring with listed flexible conduit. Properly terminate the conduit in a suitable junction box. Rated impulse Voltage 800V. Type of action 1. Control pollution degree 3.

Wiring Diagrams

INSTALLATION NOTES

- Actuators with appliance cables are numbered.
- Provide overload protection and disconnect as required.
- Actuators may be connected in parallel. Power consumption and input impedance must be observed.
- Actuators may also be powered by 24 VDC.
- Actuators with plenum cable do not have numbers; use color codes instead.
- One built-in auxiliary switch, 1x SPST 1A @ 30 VDC (resistive load), for end position indication, interlock control, fan startup, etc.
- Meets cULus requirements without the need of an electrical ground connection.
- Apply only AC line voltage or only UL-Class 2 voltage to the terminals of auxiliary switches. Mixed or combined operation of line voltage/safety extra low voltage is not allowed.
- WARNING! LIVE ELECTRICAL COMPONENTS!**
During installation, testing, servicing and troubleshooting of this product, it may be necessary to work with live electrical components. Have a qualified licensed electrician or other individual who has been properly trained in handling live electrical components perform these tasks. Failure to follow all electrical safety precautions when exposed to live electrical components could result in death or serious injury.

