

# ZONE215N-35, 1/2", Electronic Zone Valve



| Technical Data                  |  |
|---------------------------------|--|
| Service                         | chilled or hot water, up to 50% glycol |
| Flow Characteristic             | on/off                                 |
| Size [mm]                       | 0.5" [15]                              |
| End Fitting                     | NPT female ends                        |
| Body                            | forged brass                           |
| Body Seal                       | EPDM                                   |
| Stem                            | stainless steel                        |
| Seat                            | EPDM                                   |
| Body Pressure Rating [psi]      | 300                                    |
| Media Temperature Range (Water) | 32°F to 212°F [0°C to 100°C]           |
| Close-Off Pressure              | 30 psi                                 |
| Cv                              | 3.5                                    |
| Weight                          | 0.9 lb [0.4 kg]                        |
| Leakage                         | ANSI Class III 0.1%                    |

### Application

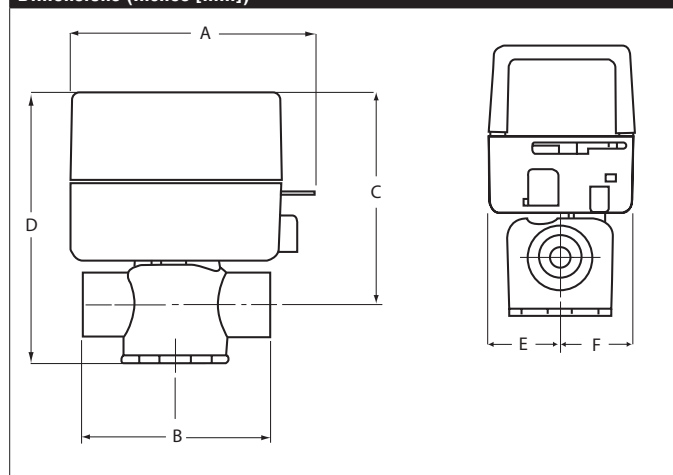
This valve is typically used on fan coil units, baseboards or other hydronic applications where fail safe operation on 2-wire control is required. This valve is suitable for use in a hydronic system with variable or constant flow.

This valve is designed to fit in compact areas where on/off or control is required using 24 VAC or 120 VAC.

### Suitable Actuators

|             | Spring |
|-------------|--------|
| ZONE215N-35 | ZONE   |

### Dimensions (Inches [mm])



| A        | B          | C         | D           | E          | F |
|----------|------------|-----------|-------------|------------|---|
| 4" [102] | 2.75" [70] | 3.5" [89] | 4.25" [108] | 1.18" [30] |   |

# ZONE230NC



| Technical Data            |                                |
|---------------------------|--------------------------------|
| Power Supply              | 230 VAC ± 10%, 50/60 Hz        |
| Power Consumption Running | 6.5 W                          |
| Transformer Sizing        | 7 VA (class 2 power source)    |
| Electrical Connection     | 6" wire leads                  |
| Running Time (Motor)      | 20 to 40 sec                   |
| Humidity                  | 5 to 95% RH non-condensing     |
| Ambient Temperature Range | 32°F to 104°F [0°C to 40°C]    |
| Storage Temperature Range | -40°F to 176°F [-40°C to 80°C] |
| Housing                   | NEMA type 1 / IP20             |
| Housing Material          | UL94-5VB                       |
| Agency Listings†          | CE, cULus                      |
| Noise Level (Motor)       | <35 dB (A)                     |
| Servicing                 | maintenance free               |
| Quality Standard          | ISO 9001                       |
| Weight                    | 0.9 lb [0.4 kg]                |

Date created, 02/16/2017 - Subject to change. © Belimo Aircontrols (USA), Inc.

### Wiring Diagrams

#### **INSTALLATION NOTES**



Meets cULus requirements without the need of an electrical ground connection.



One built-in auxiliary switch, 1x SPST 0.4A @ 24 VAC (resistive and inductive loads).

