

ZONE320N-35, 3/4", Electronic Zone Valve



| Technical Data | |
|---------------------------------|--|
| Service | chilled or hot water, up to 50% glycol |
| Flow Characteristic | on/off, diverting |
| Size [mm] | 0.75" [20] |
| End Fitting | NPT female ends |
| Body | forged brass |
| Body Seal | EPDM |
| Stem | stainless steel |
| Seat | EPDM |
| Body Pressure Rating [psi] | 300 |
| Media Temperature Range (Water) | 32°F to 212°F [0°C to 100°C] |
| Close-Off Pressure | 30 psi |
| Cv | 3.5 |
| Weight | 1.3 lb [0.6 kg] |
| Leakage | ANSI Class III 0.1% |

Application

This valve is typically used on fan coil units, baseboards or other hydronic applications where fail safe operation on 2-wire control is required. This valve is suitable for use in a hydronic system with variable or constant flow.

This valve is designed to fit in compact areas where on/off or control is required using 24 VAC or 120 VAC.

Suitable Actuators

| | Spring |
|-------------|--------|
| ZONE320N-35 | ZONE |

Dimensions (Inches [mm])

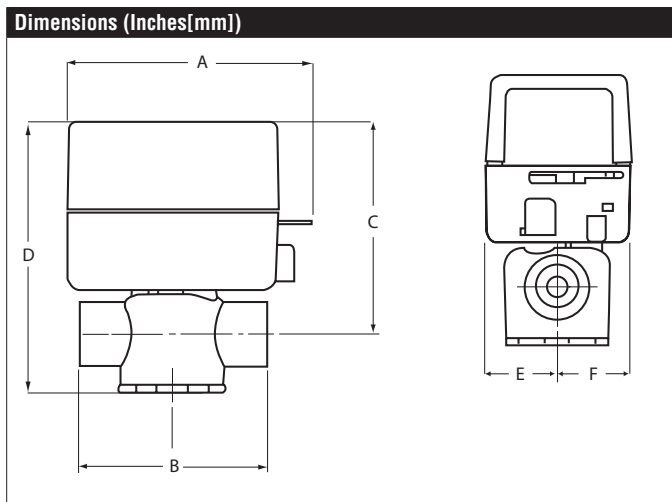


| A | B | C | D | E | F |
|----------|------------|-----------|----------|------------|---|
| 4" [102] | 2.83" [72] | 3.5" [89] | 5" [127] | 1.18" [30] | |

ZONE24NC-S



| Technical Data | |
|---------------------------|--|
| Power Supply | 24 VAC ± 10%, 50/60 Hz |
| Power Consumption Running | 6.5 W |
| Transformer Sizing | 7 VA (class 2 power source) |
| Electrical Connection | 18" wire leads |
| Angle of Rotation | 90° |
| Position Indication | integrated into lever (NC only) |
| Manual Override | manual lever |
| Running Time (Motor) | 20 to 40 sec |
| Running Time (Fail-Safe) | 5 sec (default), variable 2.5 to 10 sec |
| Humidity | 5 to 95% RH non-condensing |
| Ambient Temperature Range | 32°F to 104°F [0°C to 40°C] |
| Storage Temperature Range | -40°F to 176°F [-40°C to 80°C] |
| Housing | NEMA type 1 / IP20 |
| Housing Material | UL94-5VB |
| Agency Listings† | CE, cULus |
| Noise Level (Motor) | <35 dB (A) |
| Servicing | maintenance free |
| Quality Standard | ISO 9001 |
| Weight | 0.9 lb [0.4 kg] |
| Auxiliary Switch | 1 x SPST, .4A resistive (.4A inductive) @ 24 VAC |



Wiring Diagrams**INSTALLATION NOTES**

Meets cULus requirements without the need of an electrical ground connection.



One built-in auxiliary switch, 1x SPST 0.4A @ 24 VAC (resistive and inductive loads).

