










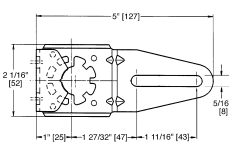
Clamps / Position Indicators / Rotation Limiters

K4 US	Clamp. Fits shafts 3/8" to 3/4".	
K4-1 US	Jackshaft Clamp. Fits jackshafts up to 1.05".	
K4-2 US	Standard Clamp. Fits shafts 1/2" to 1.05".	
K4-H	Hex Shaft clamp. Fits hex shafts 3/8" to 5/8".	
IND-AF2	Damper Position Indicator. For damper position indication in short shaft installations.	
ZDB-AF2 US US	Angle of Rotation Limiter for AF/NF actuators. Includes IND-AF2.	
KH-AFV	V-Bolt Kit allows for direct coupling with KH-LF. Contains V-Bolt and 2 nuts.	

Shaft Adaptors / Extensions

AV8-25	Shaft Extension. For damper operating shafts. Approx. 6-5/8" [170 mm] extension for shafts 1/4" to 3/4" [6 to 20 mm].	
The shaft adaptors listed below may be used with AF/NF actuators. For more information see page 410.		
ZG-JSA-1	ZG-JSA-2	ZG-JSA-3

Non-Direct Mounting

ZG-AF US	Crank Arm Adaptor Kit For more information see page 402.		
ZG-AF108	Crank Arm Adaptor Kit For more information see page 398.		
KH-AF	Crank Arm Fits round shafts up to 3/4".		
KH-AF-1 US	Crank Arm for Jackshaft Applications Fits round shafts up to 1.05".		

Mounting Brackets

The mounting brackets listed below may be used with AF/NF actuators. For more information see pages 395, 398, 400 and 405.					
ZG-100	ZG-101	ZG-102	ZG-106	ZG-107	ZG-108

Housings

The housings listed below may be used with AF/NF actuators. For more information see pages 411 to 415.			
ZS-100	ZS-150	ZS-260	ZS-300

Miscellaneous

AF-P	Anti-Rotation T-Bracket for AF/NF.
-------------	------------------------------------

M40024 - 05/10 - Subject to change. © Belimo Aircontrols (USA), Inc.