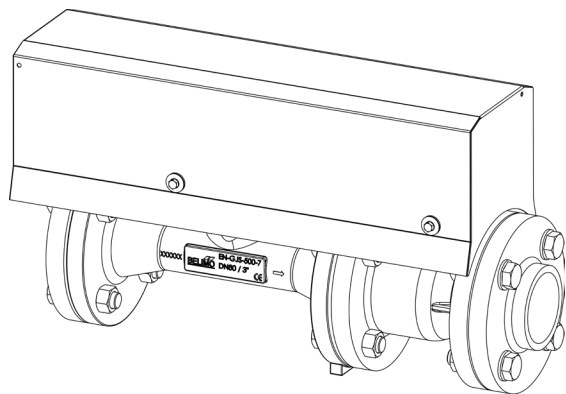


ZS-EPIV-EV-150**Technical Data**

Weight	12.6 lb [5.7 kg]
--------	------------------

