



User's Manual for CyberShield

BAS34U24V

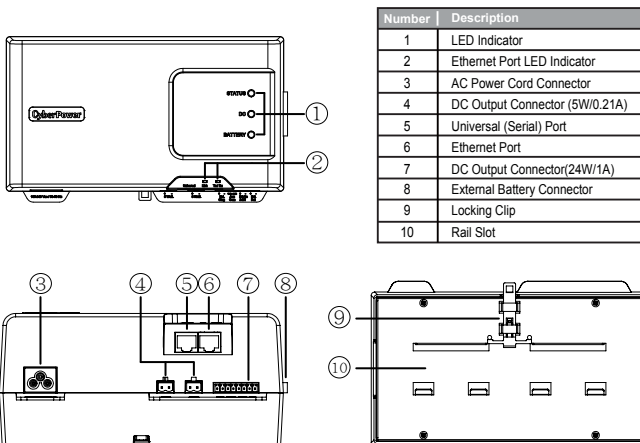
CyberShield UPSs are designed to provide a local power solution for cable telephony, wireless local loop (WLL), and fiber to the home (FTTH) broadband equipment.

IMPORTANT SAFETY WARNINGS (SAVE THESE INSTRUCTIONS)

This manual contains important instructions regarding the installation and operation of this device. Read this manual thoroughly before attempting to unpack, install, or operate this device.

- CAUTION!** Do not store batteries or battery-powered devices in hot places — elevated temperatures can lead to capacity loss, leakage, or rupture.
- CAUTION!** Do not dispose of batteries in a fire. The battery may explode if improperly disposed. Recycle the battery in accordance with local regulations.
- CAUTION!** Do not disassemble, crush, puncture, or otherwise damage batteries. This can result in leakage or rupture.
- CAUTION!** Do not remove the cover, except to service the battery, to reduce the risk of electric shock.
- CAUTION!** Do not open or mutilate the battery. Released material is harmful to the skin and eyes. It may be toxic.
- CAUTION!** When replacing the battery, the replacement should have the same rating as follows, 18650 Lithium-ion Rechargeable Battery, 14.8V/6500mAh.
- CAUTION!** To reduce the risk of electric shock, do not remove the cover. No user serviceable parts inside including the battery. Please contact us or our dealer directly.
- CAUTION!** Never block or insert any objects into the keyholes or other openings of the UPS.
- CAUTION!** To prevent the risk of fire or electric shock, install in a temperature and humidity controlled indoor area, free of conductive contaminants. (Please see specifications for acceptable temperature and humidity range).
- CAUTION!** This unit must be DIN rail. Do not use the unit unless it is mounted correctly.
- CAUTION!** The unit is for indoor use only. Please avoid direct sunlight exposure.
- CAUTION!** Runtimes based on testing fully-charged, new batteries at normal operating conditions. Runtime curve is approximate and varies based on battery age, level of charge at test, environment, and other variables.

OVERVIEW

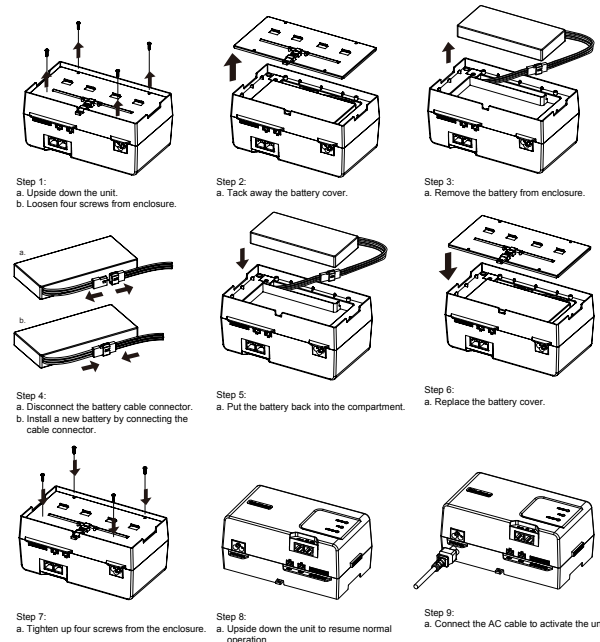


LED INDICATOR

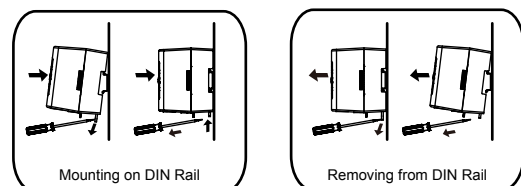
Indicator	Color	Condition
STATUS	Green	Indicates normal mode of operation.
DC	Green	Indicates the battery is supplying the power. 1. Battery mode : LED is on. 2. Line mode : LED is off. 3. Low battery : LED is blinking.
BATTERY	Red	1. Battery replacement required : LED is on. 2. Battery is absent : LED is blinking.
ETHERNET PORT	Green	Indicates the Remote Management Card power. 1. Power on : LED is on. 2. Power off : LED is off. 3. Receiving/transmitting data packet : LED is blinking. 4. Reset finished : LED is blinking.
	Yellow	The Remote Management Card is connected to the Network.

BATTERY REPLACEMENT AND INSTALLATION

As long as utility power is on, you may leave the UPS and connected equipment on while replacing a new battery. (For service personnel reference only)



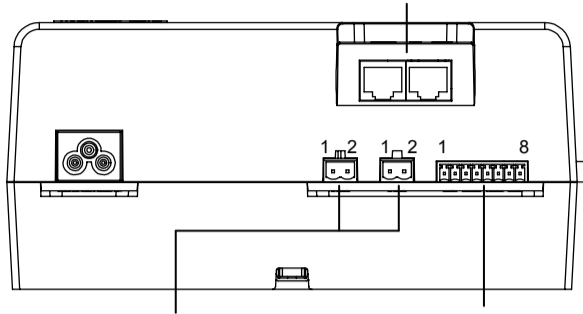
BAS34U24V AND MOUNTING DETAILS



COMMUNICATION SIGNALS

The communication signals of this unit are isolated from the internal circuitry via open collector opto-coupled transistors. The connection "SIG RTN" (Signal Return) is a common return point for all communication signals. In the typical application, the attached equipment digital ground connects to Signal Return, and pull-up resistors turn the open collector signals into logic levels.

Communicate port (SNMP RMCARD205)



2 PIN DC output connector 8 PIN DC output connector

Pin Number	Pin Function
1	VOUT +
2	VOUT -

Pin Number	Pin Function
1	External_charge +
2	External_charger -
3	AUX_TXD
4	AUX_RXD
5	Output1 +
6	Output1 -
7	External_BAT IN +
8	External_BAT IN -

SPECIFICATION

Model	BAS34U24V
Input	
Voltage Range	100Vac - 240Vac
Frequency Range	50-60Hz
Output	
Output Voltage	24Vdc
Continuous Power Capability	Total 34W
Efficiency (Max Load)	≥80%
Battery	
Battery Type	14.8V/6500mAh 18650 Lithium-ion Rechargeable Battery
Numbers of Battery	4S2P
Typical Recharge Time	24 Hours
Replaceable	Yes
Surge Protection and Filtering	
Lightning / Surge Protection	Yes
Management	
Battery Auto-Charge	Yes
Physical	
Dimensions (LxWxD)	20.1cm x 12cm x 9.45cm
Weight (Net)	1.3 kg (with 14.8V/6500mAh battery)
Environment	
Operating Temperature	32°F - 104°F (0°C - 40°C)
Operating Humidity	0-95% noncondensing within enclosure
Max Operating Elevation	10,000ft (3,048m)
Max Storage Elevation	50,000ft (15,240m)
Storage Temperature	32°F - 104°F (0°C - 40°C)

LIMITED WARRANTY

CyberPower warrants to you, the Initial Purchaser, that the Product will be free from defects in material and workmanship for three years from the date of original purchase, subject to the terms of this Limited Warranty. This Limited Warranty gives you specific rights, and you may have other rights, which vary from State to State or Province to Province.

Any Implied Warranty of Merchantability or for Fitness for a Particular Purpose, if applicable to the Product, is limited in duration to three years. This provision shall NOT create any Implied Warranty or Merchantability or of Fitness for a Particular Purpose that would not otherwise apply to the Product. NOTE: **Some States and Provinces do not allow limitations on how long an implied warranty lasts, so the above limitation may not apply to you.**

To be covered you must still be the owner of the Product at the time of the failure that results in the claim made under this Limited Warranty. Your sole and exclusive remedies are those provided by this Limited Warranty. This exclusion of other express warranties applies to written and oral express warranties. CyberPower excludes any liability for personal injury. CyberPower excludes any liability for direct, indirect, special, incidental, or consequential damages, whether for damage to or loss of property, loss of profits, business interruption, information or data. This exclusion applies even though damage or loss is caused by negligence or other fault. NOTE: Some States or Provinces do not allow the exclusion or limitation of incidental or consequential damages, so the above limitation may not apply to you.

DO NOT USE FOR MEDICAL OR LIFE SUPPORT EQUIPMENT OR OTHER HIGH RISK ACTIVITIES.

CyberPower does not sell the PRODUCT for use in high-risk activities. The PRODUCT is not designed or intended for use in hazardous environments requiring fail-safe performance, including the operation of nuclear facilities, aircraft navigation or communication systems, air traffic control, weapons systems, life support or medical applications or for use in any circumstance in which the failure of the PRODUCT could lead directly to death, personal injury, or severe physical or property damage, or that would affect operation or safety of any medical or life support device (collectively, "High Risk Activities"). CyberPower expressly disclaims any express or implied warranty of fitness for High Risk Activities. CyberPower does not authorize use of any PRODUCT in any High Risk activities. ANY SUCH USE IS IMPROPER AND IS A MISUSE OF A CHARTER PRODUCT.

The Limited Warranty is governed by the laws of the United States, without reference to conflict of law principles. The application of the United Nations Convention of Contracts for the International Sale of Goods is expressly excluded.

FCC NOTICE :

This equipment has been tested and found to comply with the limits for a Class A digital device, pursuant to part 15 of the FCC Rules. These limits are designed to provide reasonable protection against harmful interference in a residential installation. This equipment generates, uses and can radiate radio frequency energy and, if not installed and used in accordance with these instructions, may cause harmful interference to radio communications. However, there is no guarantee that interference will not occur in a particular installation. If this equipment does cause harmful interference to radio or television reception, which can be determined by turning the equipment off and on, the user is encouraged to try to correct the interference by one or more of the following measures: (1) Reorient or relocate the receiving antenna. (2) Increase the separation between the equipment and receiver. (3) Connect the equipment into an outlet on a circuit different from that to which the receiver is connected. (4) Consult the dealer or an experienced radio/TV technician for help.

CAUTION: Shielded signal cables must be used with this device to ensure compliance with Class A FCC limits.

CAUTION: Any changes or modifications not expressly approved by CyberPower could void the authority granted by the FCC to operate this equipment.

WARNING: This equipment is compliant with Class A of CISPR 32. In a residential environment this equipment may cause radio interference.

WARNING: Operation of this equipment in a residential environment could cause radio interference.

WARNING: This is a class A product. In a domestic environment this product may cause radio interference in which case the user may be required to take adequate measures.



Deliver spent batteries to a recycling facility or ship to the manufacturer in the replacement battery packing material.

Pb

CyberPower Systems (USA), Inc. 4241 12th Avenue East, Suite 400, Shakopee, MN55379 Phone: (952)403-9500 Fax: (952)403-0009 www.cyberpowersystems.com
CyberPower Systems (EUROPE), Inc. www.cyberpowersystems.com