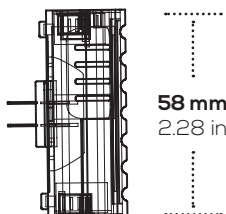
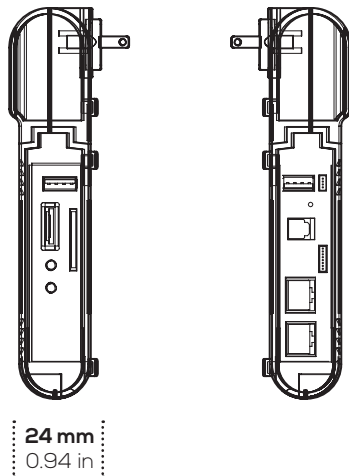
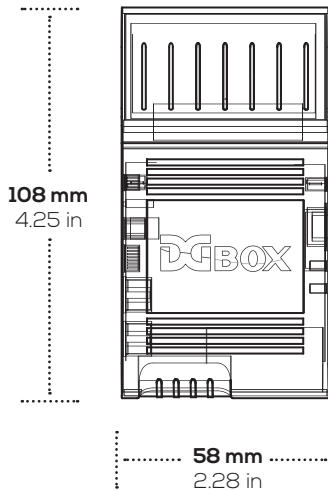




Introduction

DGBox is a cost effective solution that enables creation and utilization of appliance applications consisting of Data Acquisition, Data Storage and Visualization. Utilizing DGBox, facility managers, contractors, and OEM manufacturers are able to connect a single or multiple devices based on many standard protocols and take advantage of DGLux inside for the graphical representation of equipment.



Applications

DGBox can be used in any number of applications requiring communication with devices.

- HVAC Zone monitoring and control
- Lighting Zone monitoring and control
- Metering – ability to communicate with a variety of meters supporting standard protocols
- Equipment monitoring and control – Air Handlers, Roof-Top Units, Heat Pumps, Chillers, Cooling Towers, Generators, Power Distribution Units, Mechanical Rooms, Equipment Closets, and more.
- Data gathering and push to central server or Cloud

High Speed I/O & Peripherals

- 2 x Gigabit Ethernet 10/100/1000 Mbps
- 2 x USB 2.0 ports
- 1 x eSATA 2.0 port – 3Gbps STAI
- 1 x SD Socket
- WiFi: 802.11 b/g/n
- Bluetooth: 2.1 + EDR
- Digital Audio Out: S/PDIF with fiber optics interface
- Analog Audio Out: Stereo headphone out
- Mic in

Power

- Input: 100-240VAC/50-60Hz 19W
- DC Consumption: 5V/3.0A
- High efficiency detachable AC-DC PSU

Hardware

- Marvell® Sheeva Core Embedded CPU @1.2
- SDRAM: 512 MB 16 bit DDR2 @800 MHz

Networking between units

- Wireless – WiFi 802.11 b/g/n
- IP/Ethernet – Ethernet Port

Flash Memory

- 4 GB internal Micro-SD
- Expandable external SD

Software

- OS: Linux
- Data Acquisition: Mango
- Database: MySQL
- Visualization: DGLux

Supported Protocols

- Modbus TCP/RTU
- BacnetMSTP/IP
- SNMP
- OPC
- SQL
- HTTP
- MBus
- POP3
- OneWire

