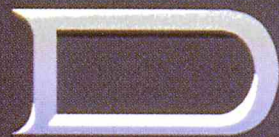
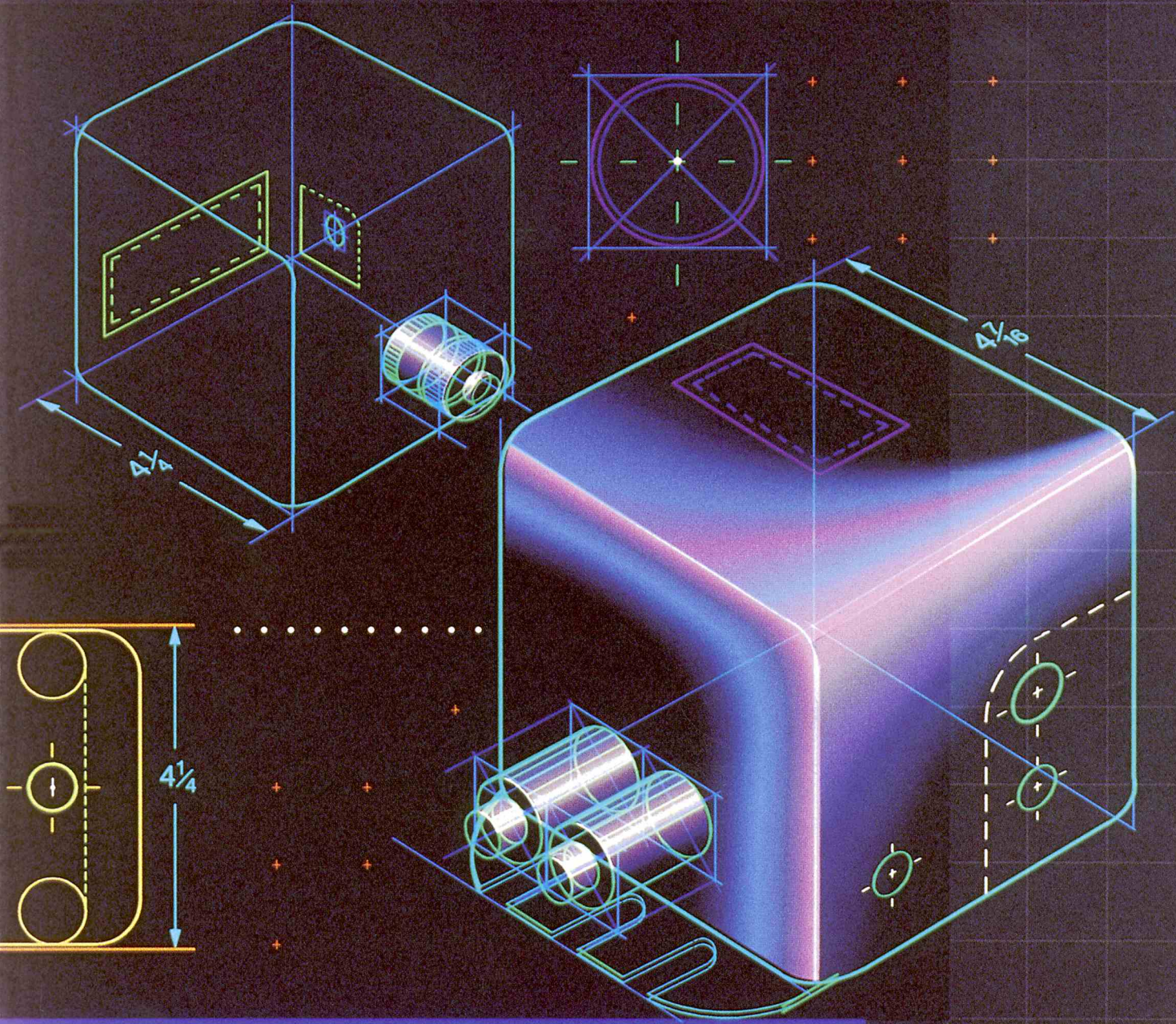


DONGAN

IGNITION
TRANSFORMERS



IGNITION TRANSFORMER CROSS REFERENCE

Dongan	Allanson	France	Webster	Sid Harvey
LJH-90A	421-473	LA4V	312-25AX0202	TI-10
LJH-90C		LA3V	312-25FX0202	
AI 0-SF1 0	421-BT387	LFAV	312-24AO202	T21 -N
AI 0-SJ 10	421-BT299	LFBV	312-25AO202	T21 -M
AI 0-SQ1 0	421-BT290	LGDV	312-24ABO202	T17-N
AI O-SQ35				
A10-SR10	421 -BT1 04	LEEW-B	312-24ABO237	T-31 N
AI 0-SV1 0	421-BT332	LGFV	312-25ABO202	T1 TM
AI O-SV35				
AI 0-SW1 0	421-BT276	LGEV	312-25ABO237	T1 7FM
AI 0-SY1 0	421 -BT66			
AI 0-SP1 0	421-BT240	LGDW-1	312-24ABE202	T18-N
AI 0-SX1 0			312-25ABE202	
XD-AB201	2721-631	5LAY-02	313-25AB86	
XD-WN202	2721-619	5 LAY-03	313-28AB91	T-93
XD-BK1 03	2721-628	5 LAY-04	3-28AB-BAFR	T-92
XD-BK204	2721-605	5LAY-05	3-280AB-BS	T-90
XD-CR205	2721-630	5LAY-1 5	313-28AB85	T-94
XD-CR206	2721-629	5LAY-1 6	313-24AB81	T-95
XD-AB207	2721-411	5LAY-20	313-25AB59	T-84
XD-WN208	2721-620	5LAY-30	313-25AB78	
XD-WN209	2721-647	5 LAY-31	313-28AB-WHS	
XD-AR21 1	2721-456	5LAY-56		
AI 2-SV1 0				T-1 2
AI 0-S32	421-331		313-25AB62	T-265
A10-SK50	2721-628			
(XD-BK1 03)				
AI O-SV351	421-409	LKR-2	313-25AB73	T-86
AI 0-SQ1 82	421-222A	LKP	313-24AB68	T-24N
A10-SR12	421-104	LGNV	312-24ABO84	T-31 N
AI 0-SP1 8	421-557	LGHW	312-26ABE423	T-1 83B
AI O-SX24		LGEW-1	312-25ABE202	T-25B
A06-SA6	1092-F	GEEGW-2	612-6A7	T-246N
A06-SA21	1092-7	GEEGW-1	612-6A063	T-1 46N
A06-SD7	1092-N	3RAFYR-14	613-6A1 0	T-1 93N
A08-SAI		85EY-2	812-6A010	

GUARANTEE

Dongan Electric Manufacturing Company and/or Pioneer Transformer Company, hereinafter referred to as Company, agrees to correct by repair, replacement or material credit, at Company's option, any Ignition Transformer which shall fail in service within a period of two years from date of manufacture, provided conditions of operation have been normal at all times and that the transformer has not been subjected to stresses from incorrect primary voltage or frequency, overload, moisture, or abnormal ambient conditions.

Company's obligation under this guarantee, which is in lieu of all other warranties, expressed or implied, is limited to replacing or repairing defective parts and/or transformer or granting material credit provided the transformer is returned to Pioneer Transformer Company, Pioneer, Ohio 43554 with freight prepaid.

Under the terms of this guarantee no reimbursement will be made for in-the-field repairs or alterations to defective parts without prior authorization for such repairs or alterations by Company or its authorized representative.

Company will not be liable for any consequential damages.

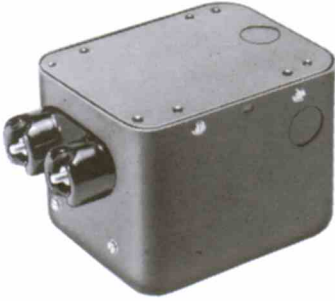


REPLACEMENT TRANSFORMERS

(BASELESS)

Primary 120 V, Secondary 10,000 V, Mid-Point Ground
22 MA, 250 VA, 60 Hz.

A10-SF10



A10-SJ10



A10-SQ10



A10-SQ35



A10-SR10



A10-SV10



A10-SV35



A10-SW10



A10-SY10



A10-SP10



A10-SX10





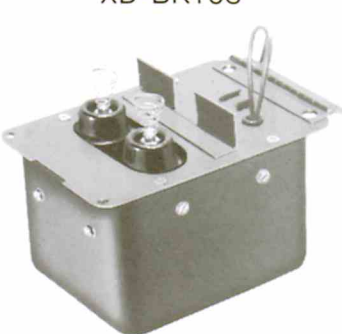















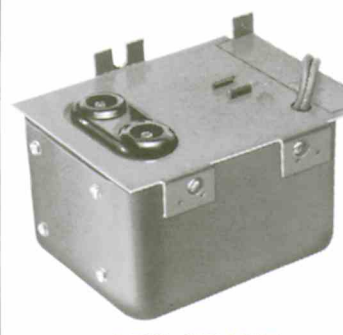
A12-SV10



Primary 120 V
Secondary 12,000 V

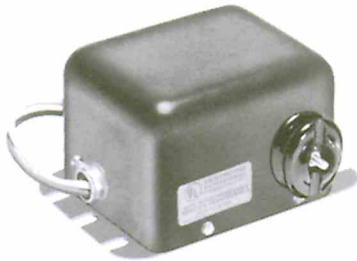
OEM REPLACEMENT (WITH BASE)

Primary 120 Volt, Secondary 10,000 V, Mid-Point Ground
23 MA, 250 VA, 60 Hz.

<p>XD-AB201</p>  <p>ABC-SUNRAY</p>	<p>XD-WN202</p>  <p>WAYNE</p>	<p>XD-BK103</p>  <p>BECKETT</p>	<p>XD-BK204</p>  <p>BECKETT</p>	<p>XD-CR205</p>  <p>CARLIN</p>
<p>XD-CR206</p>  <p>CARLIN</p>	<p>XD-AB207</p>  <p>ABC-SUNRAY</p>	<p>XD-WN208</p>  <p>WAYNE</p>	<p>XD-WN209</p>  <p>WAYNE</p>	<p>XD-AR211</p>  <p>AERO</p>
<p>XD-DC212</p>  <p>DUCANE</p>	<p>XD-UR200</p> <p>Universal Replacement</p> <p>The XD-UR200 is a baseless replacement transformer designed to be used with existing base. It will accept Dongan, France and Webster bases from small-can OEM transformers. Note: Not suitable for replacing XD-BK103.</p>  <p>UNIVERSAL REPLACEMENT</p>		<p>A10SR12</p>  <p>QUIET HEET</p>	<p>A10-SP18</p>  <p>ARCO</p>
<p>A10-SX24</p>  <p>YORK-SHIPLEY</p>	<p>A10-S32</p>  <p>LENNOX</p>	<p>A10-SK50</p>  <p>BECKETT A & AF Heavy-Duty Replacement</p>	<p>A10-SQ182</p>  <p>DELCO</p>	<p>A10-SV351</p>  <p>ABC-CRANE</p>

INDUSTRIAL OIL AND GAS IGNITION

AO5-SA6 120 V Pri 60 Hz
EO5-SA6 110 V Pri 50 Hz
5000 V Sec. 20 ma 115 va



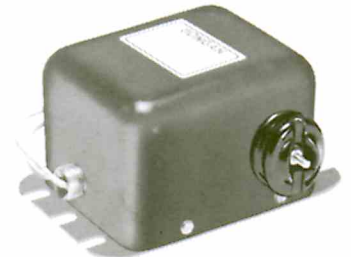
AO5-SC7 120 V Pri 60 Hz
Sec. 5000 V 20 ma 115 va



A06-SA6 120 V Pri 60 Hz
C06-SA6 240 V Pri 60 Hz
F06-SA6 220 V Pri 50 Hz
Sec. 6000 V 20 ma 175 va



A06-SA6X 120 V Pri 60 Hz
Sec. 6000 V 20 ma 175 va



epoxy filled

A06-SD7 120 V Pri 60 Hz
6000 V Sec. 20 ma 175 va



A06-SA21 120 V Pri 60 Hz
Sec. 6000 V 20 ma 175 va



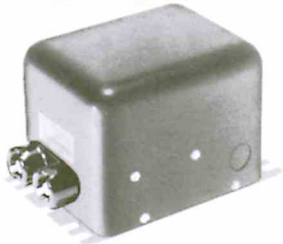
A08-SA1 120 V Pri 60 Hz
Sec. 8500 V 20 ma 230 va



A10-LA2 120 V Pri 60 Hz
C10-LA2 240 V Pri 60 Hz
Sec. 10,000 22 ma 250 va



A10-LF3 120 V Pri 60 Hz
C10-LF3 240 V Pri 60 Hz
N10-LF3 480 V Pri 60 Hz
Sec. 10,000 or 2X5000 V
22 ma 250 va

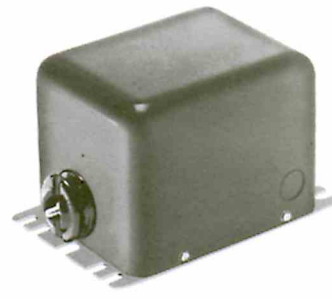


A10-LF3X 120 V Pri 60 Hz
Sec. 10,000 or 2X5000
22 ma 250 va



epoxy filled

A10-LA22 120 V Pri 60 Hz
Sec. 10,000 22 ma 250 va

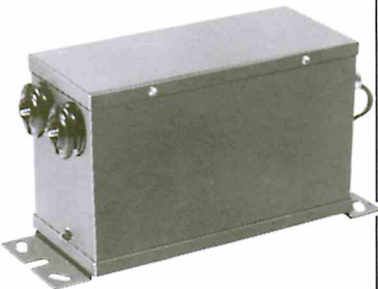


A10-LA2X 120 V Pri 60 Hz
Sec. 10,000 22 ma 250 va



epoxy filled

A15-LA61 120 V Pri 60 Hz
Sec. 2X7500 30 ma 560 va



A15-LA6 120 V Pri 60 Hz
Sec. 3X5000 22 ma 375 va



A20-LA7 120 V Pri 60 Hz
Sec. 4X5000 22 ma 500 va



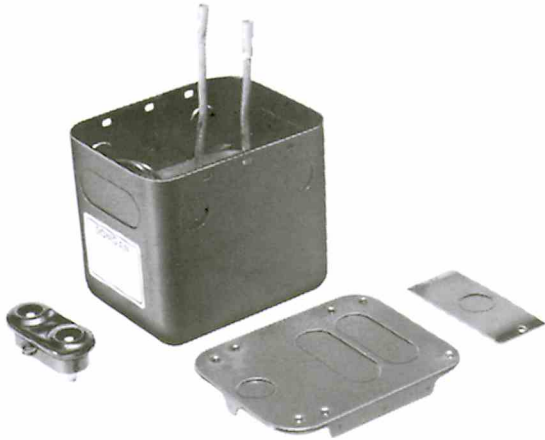
A10-LN2X Pri 120 V 60 Hz
Sec. 10,000 22 ma 250 va



epoxy filled

LJH-90 MULTIFORMER

LJH-90-A 120 V. Pri. 60 Hz
 LJH-90-C 240 V. 60 Hz
 Secondary 10,000 Volts
 22MA 250 VA Weight 9 lbs.



UNIVERSAL REPLACEMENT TRANSFORMER

IGNITION TRANSFORMER TESTER

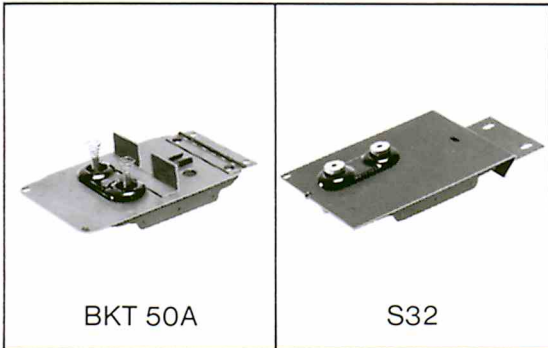
MODEL 1909-82



- Tool Box Carrying Case
- Checks Mid-Point and End Ground transformers
- Checks line voltage
- Checks transformer under actual operating conditions

SPECIAL REPLACEMENT BASES

for use with LJH-90A multiformer only

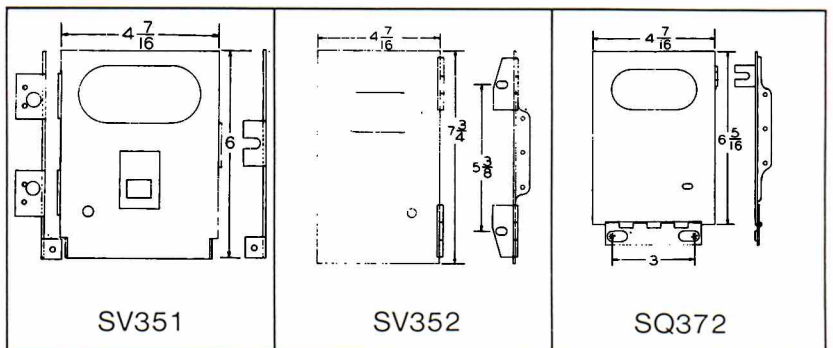


BKT 50A

S32

SPECIAL BASES WITH BUSHING ASSEMBLY

for use with LJH-90A multiformer only



SV351

SV352

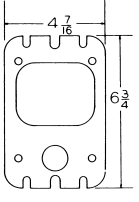
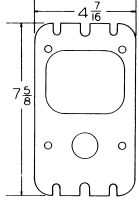
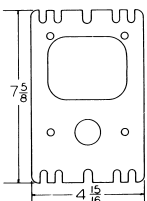
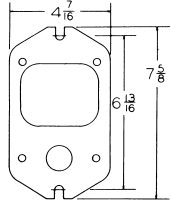
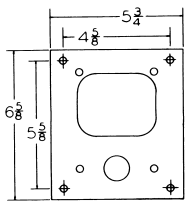
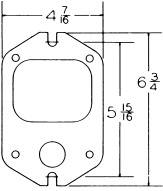
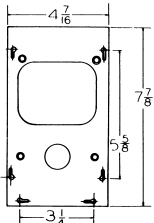
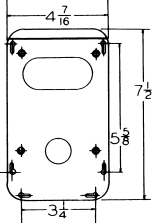
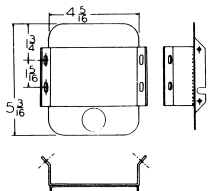
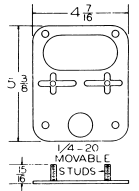
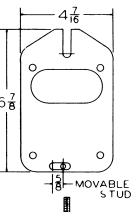
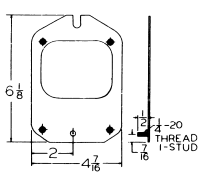
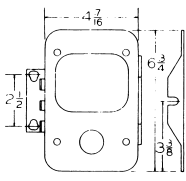
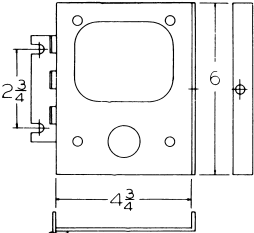
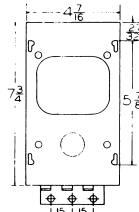
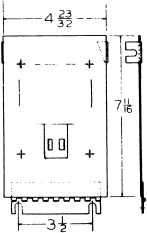
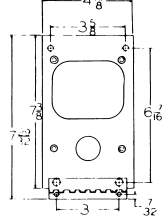
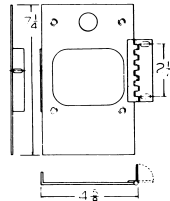
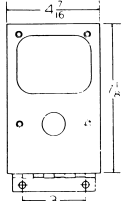
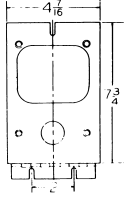
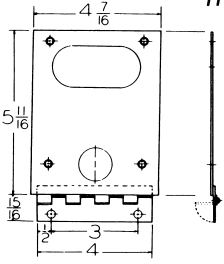
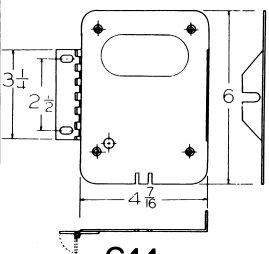
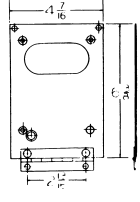
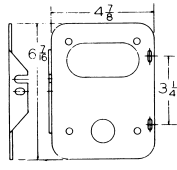
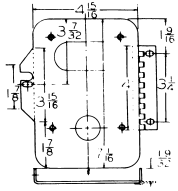
SQ372

TERMINAL ACCESSORIES



MOUNTING PLATES

F = Flat H = Hinged S = Stud FL = Flanged

<p style="text-align: right;"><i>F</i></p>  <p style="text-align: center;">FS1</p>	<p style="text-align: right;"><i>F</i></p>  <p style="text-align: center;">FM2</p>	<p style="text-align: right;"><i>F</i></p>  <p style="text-align: center;">LW3</p>	<p style="text-align: right;"><i>F</i></p>  <p style="text-align: center;">QL6</p>	<p style="text-align: right;"><i>F</i></p>  <p style="text-align: center;">SJ4</p>
<p style="text-align: right;"><i>F</i></p>  <p style="text-align: center;">Q12</p>	<p style="text-align: right;"><i>F</i></p>  <p style="text-align: center;">W21B</p>	<p style="text-align: right;"><i>F</i></p>  <p style="text-align: center;">G43</p>	<p style="text-align: right;"><i>FL</i></p>  <p style="text-align: center;">BT4</p>	<p style="text-align: right;"><i>S</i></p>  <p style="text-align: center;">SM5</p>
<p style="text-align: right;"><i>S</i></p>  <p style="text-align: center;">G18</p>	<p style="text-align: right;"><i>S</i></p>  <p style="text-align: center;">A33</p>	<p style="text-align: right;"><i>H</i></p>  <p style="text-align: center;">H10</p>	<p style="text-align: right;"><i>H</i></p>  <p style="text-align: center;">A17</p>	<p style="text-align: right;"><i>H</i></p>  <p style="text-align: center;">W21H</p>
<p style="text-align: right;"><i>H</i></p>  <p style="text-align: center;">H30-31</p>	<p style="text-align: right;"><i>H</i></p>  <p style="text-align: center;">H32</p>	<p style="text-align: right;"><i>H</i></p>  <p style="text-align: center;">H34</p>	<p style="text-align: right;"><i>H</i></p>  <p style="text-align: center;">M38</p>	<p style="text-align: right;"><i>H</i></p>  <p style="text-align: center;">C39</p>
<p style="text-align: right;"><i>H</i></p>  <p style="text-align: center;">A42</p>	<p style="text-align: right;"><i>H</i></p>  <p style="text-align: center;">C44</p>	<p style="text-align: right;"><i>H</i></p>  <p style="text-align: center;">H47</p>	<p style="text-align: right;"><i>H</i></p>  <p style="text-align: center;">B182</p>	<p style="text-align: right;"><i>H</i></p>  <p style="text-align: center;">B183</p>

DONGAN IGNITION TRANSFORMERS

- OIL AND GAS BURNER REPLACEMENTS
- INDUSTRIAL APPLICATIONS
- OEM APPLICATIONS
- SPECIAL APPLICATIONS – CONSULT FACTORY

DONGAN ELECTRIC MFG. CO.

2987 FRANKLIN STREET

DETROIT, MICHIGAN 48207

PHONE: 313 • 567 • 8500

DISTRIBUTED BY:

