

gas and oil burner transformers dual and multipole



A15-LA61

Primary 120 V. 60 Hz
Secondary Two Unit
2 x 7,500 Volts
30 MA. 560 VA. Weight 30#

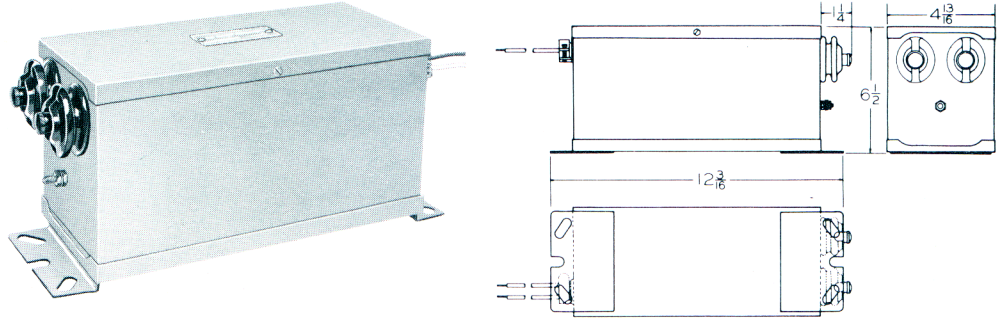


Fig. 40

A15-LA6 3 UNIT GAS

Primary 120 V. 60 Hz
Secondary Three Unit
3 x 5,000 Volts
22 MA. 375 VA. Weight 20#

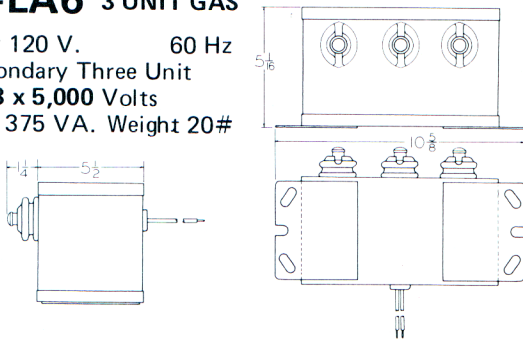


Fig. 41

A20-LA7 4 UNIT GAS

Primary 120 V. 60 Hz
Secondary Four Unit
4 x 5,000 Volts
22 MA. 500 VA. Weight 26#

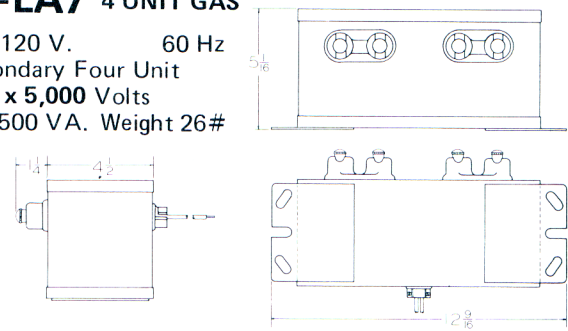


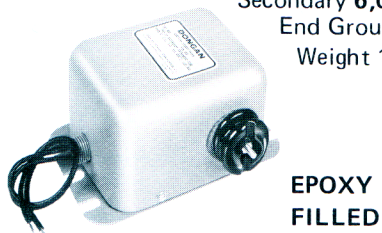
Fig. 42

epoxy-filled heavy duty industrial types

Dongan Ignition Transformers are supplied with standard compound filling for operation in ambient temperatures up to 120° F. For ambient temperatures from 120° F to 150° F some units, as indicated below

are available EPOXY-FILLED for a slightly higher price. Epoxy-Filled units are also recommended for unusually humid environments.

A06-SA6X Primary 120 V. 60 Hz 20 MA. 175 VA.
C06-SA6X Primary 240 V. 60 Hz



EPOXY FILLED

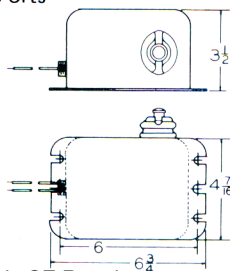


Fig. 43
F06-SA6XE Primary 220 V. 50 Hz CE Rated

A10-LA2X Primary 120 V. 60 Hz. 22 MA. 250 VA.
C10-LA2X Primary 240 V. 60 Hz



EPOXY FILLED

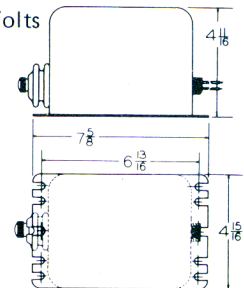
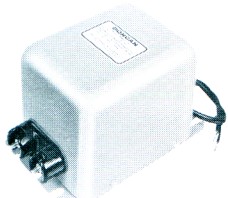


Fig. 44

A10-LF3X Primary 120 V. 60 Hz 22 MA. 250 VA.
C10-LF3X Primary 240 V. 60 Hz
N10-LF3X Primary 480 V. 60 Hz
Secondary 2 x 5,000 Volts
Weight 15#



EPOXY FILLED

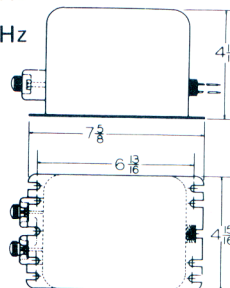
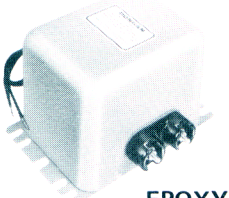


Fig. 45

A10-LF3X2 Primary 120 V. 60 Hz 22 MA. 250 VA.
C10-LF3X2 Primary 240 V. 60 Hz
N10-LF3X2 Primary 480 V. 60 Hz
Secondary 2 x 5,000 Volts
Weight 15#



EPOXY FILLED

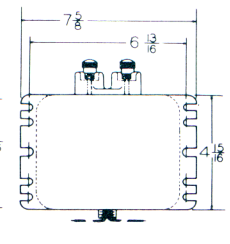


Fig. 46

