



# SUPRA SPARK

## ELECTRONIC IGNITERS



Fuel Oil  
OEM Replacement



Fuel Oil  
Universal  
Replacement  
SSI-UR200



Compact Gas  
Series 4,000 &  
6,000 Volt  
OEM Replacements



Gas  
Enclosed  
Universal 6,000 Volt  
Replacement SSI-SAA06

### Series SSI Solid State Igniter

Dongan is pleased to bring more than 90 years of transformer design experience to our newest ignition transformer series - the SSI Series Solid State Igniters. Combining the latest in high tech electronics with good old fashioned workmanship, the SSI Series provides cool operating temperatures, a hot arc and long life dependability for your fuel oil and gas ignition needs.

From our first UL approved ignition transformer in 1922, to the LJH - 90A Multiformer™, to the SSI Series Solid State Igniters - Dongan is your full spectrum source for oil and gas ignition applications.

## FUEL OIL

**14,000 Volts, 35 mA RMS,  
Midpoint Ground**

- 14,000 volt spark for safe, sure burner ignition
- Designed for constant or interrupted Ignition
- Multi-versatile universal replacement model
- OEM replacement models for:
 

Aero	Beckett
Carlin	Ducane
Wayne	Other models available
- Universal model will accept most competitor's mounting plates
- Vacuum epoxy impregnation insures long igniter life and superior moisture protection
- UL Recognized File E209963, CUL Recognized E209963

## GAS

**4,000 and 6,000 Volt,  
End Ground Gas**

- 4,000 or 6,000 volt spark for safe, sure burner ignition
- Designed for constant or interrupted ignition
- OEM replacement models for:
 

Gordan & Piatt
Power Flame
Cleaver Brooks
Many others
- Mounting plates for all major 6kV OEM's
- Vacuum Epoxy impregnation insures long igniter life and superior moisture protection
- UL Recognized File E209963, CUL Recognized E209963



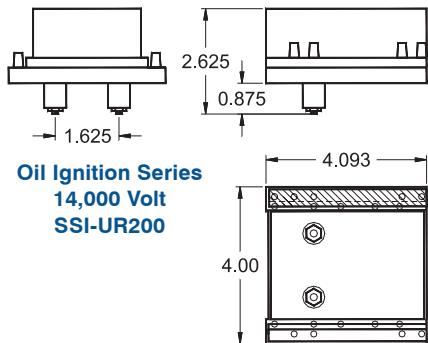
# Series SSI Solid State Igniter

DONGAN ELECTRIC MANUFACTURING CO. • 2987 FRANKLIN • DETROIT, MI 48207  
 800.428.2626 • 313.567.8500 • FAX 313.567.8828 • www.dongan.com

## FUEL OIL

SOLID STATE OEM & REPLACEMENT OIL IGNITERS			
PRIMARY 120V, SECONDARY 14,000V, 60 Hz, 35 mA, MID-POINT GROUND			
Cross Reference			
Dongan	Burner	France	Allanson
<b>SSI-UR200</b>	Interchangeable Replacement System	10SAY-01	2275
<b>SSI-WN202</b>	Wayne M & MH	SAY-03	2275 Type 619
<b>SSI-BK103</b>	Beckett A, AF, AFG	SAY-04	2275 Type 628
<b>SSI-BK204</b>	Beckett S		2275 Type 605
<b>SSI-CR205</b>	Carlin 99, 100, 101 CRD Miser	SAY-15	2275 Type 630
<b>SSI-WN208</b>	Wayne E	SAY-30	2275 Type 620
<b>SSI-AR211</b>	Aero	SAY-56	2275 Type 456
<b>SSI-DC212</b>	Ducane		

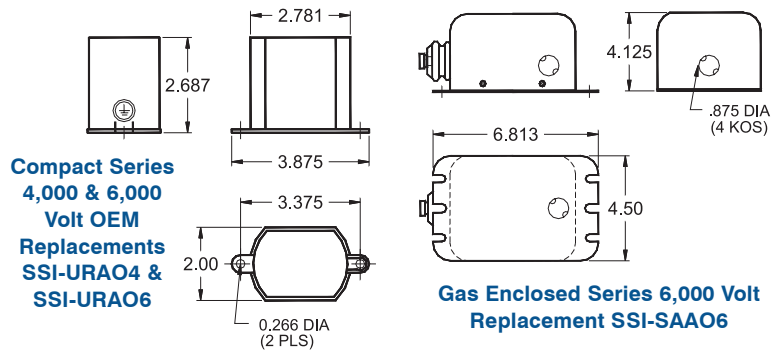
### Dimensions



## GAS

SOLID STATE OEM & REPLACEMENT GAS IGNITERS	
PRIMARY 120V, SECONDARY 6,000V, 60 Hz, 35 mA, END GROUND	
Dongan	Burner
<b>SSI-URAO4</b>	Interchangeable Replacement 4,000 Volt Secondary
<b>SSI-URAO6</b>	Interchangeable Replacement 6,000 Volt Secondary
<b>SSI-SAA06</b>	Interchangeable Replacement 6,000 Volt Secondary Enclosed with Base
OEM UNITS AVAILABLE	
<b>SSI-CBA06-SJ4</b>	Cleaver Brooks
<b>SSI-DBA06</b>	Dunham-Bush
<b>SSI-GPA06</b>	Gordon & Piatt
<b>SSI-GPA06-SV12</b>	Gordon & Piatt
<b>SSI-PFA06</b>	Power Flame

### Dimensions



## Service Replacement Kit

The Dongan Field Service Replacement Kit is a handy way of keeping several universal replacement igniters and the most common base plates ready for all your service needs. Included in the kit are replacement terminals for all the most popular OEM's.



### Field Replacement Kit SSI-RK01 Contents:

- Igniters:
- 2 SSI-UR200 Igniters
- Base Plates:
- 1 E202WN      2 E103BK
- 1 E204BK      1 E205CR
- 1 E208WN      1 E211AR
- 1 Accessory / Terminal Pack