



PP-C3R HCR Series

NEMA 3R, Wallmount Enclosure



Features & Benefits

- ❑ Formed and spot welded from 16 or 14 gauge galvanized steel.
- ❑ Drip shield top and seam-free sides, front and back.
- ❑ Stainless steel continuous hinge.
- ❑ Cover fastened with captive plated screws.
- ❑ Padlocking hasp.
- ❑ Collar studs provided for mounting optional panels.
- ❑ External mounting feet.
- ❑ Oil resistant gaskets are permanently secured.
- ❑ Enclosure and cover are finished inside and out in ANSI 61 gray powder coating.
- ❑ A bonding stud is provided on the door and a grounding screw is provided for the enclosure
- ❑ Base, wrapper and door are finished in ANSI 61 gray powder coating.
- ❑ Enclosure and door are finished in ANSI 61 gray powder coating.
- ❑ Inner panel is finished in white powder coating.

Applications

- ❑ Designed for use as a wiring/junction box.
- ❑ Provides protection against rain, sleet, snow and dripping water.

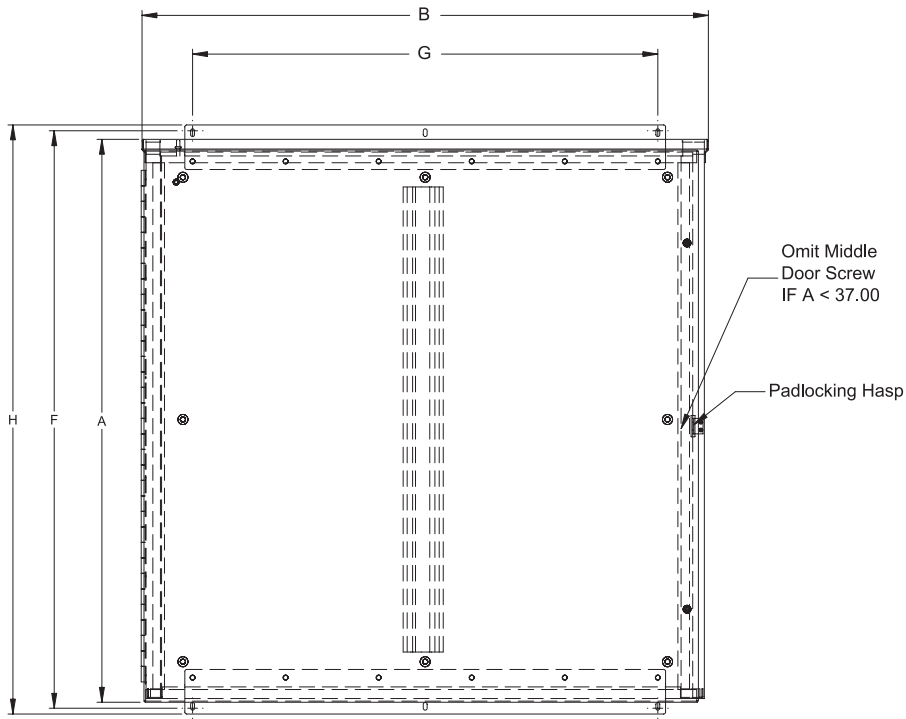
Standards

- ❑ UL-50 Type 3R
- ❑ CSA Type 3R
- ❑ Complies with:
 - ❑ NEMA Type 3R
 - ❑ IEC 60529, IP24

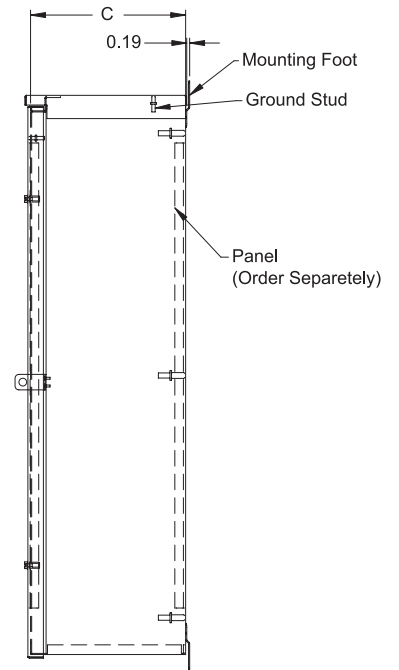
Model Selection

Part No.	Optional Panel Part Number	Panel Size			Mounting		Overall	Shipping Wt. lbs		
		A	B	C	D	E			F	G
PP-C3R16126HCR	PP-18P1309	16.00	12.00	6.00	13.00	9.00	17.00	5.00	18.00	17
PP-C3R16166HCR	PP-18P1313	16.00	16.00	6.00	13.00	13.00	17.00	13.00	18.00	18
PP-C3R18186HCR	PP-18P1515	18.00	18.00	6.00	15.00	15.00	19.00	13.00	20.00	20
PP-C3R20166HCR	PP-18P1713	20.00	16.00	6.00	17.00	13.00	21.00	13.00	22.00	25
PP-C3R20208HCR	PP-18P1717	20.00	20.00	8.00	17.00	17.00	21.00	13.00	22.00	38
PP-C3R24208HCR	PP-18P2117	24.00	20.00	8.00	21.00	17.00	25.00	13.00	26.00	41
PP-C3R24248HCR	PP-18P2121	24.00	24.00	8.00	21.00	21.00	25.00	13.00	26.00	53
PP-C3R30248HCR	PP-18P2721	30.00	24.00	8.00	27.00	21.00	31.00	13.00	32.00	62
PP-C3R30308HCR	PP-18P2727	30.00	30.00	8.00	27.00	27.00	31.00	27.00	32.00	64
PP-C3R181810HCR	PP-18P1515	18.00	18.00	10.00	15.00	15.00	19.00	13.00	20.00	22
PP-C3R242410HCR	PP-18P2121	24.00	24.00	10.00	21.00	21.00	25.00	13.00	26.00	59
PP-C3R302410HCR	PP-18P2721	30.00	24.00	10.00	27.00	21.00	31.00	13.00	32.00	71
PP-C3R363610HCR	PP-18P3333	36.00	36.00	10.00	33.00	33.00	37.00	30.00	38.00	82
PP-C3R303012HCR	PP-18P2727	30.00	30.00	12.00	27.00	27.00	31.00	27.00	32.00	102
PP-C3R362412HCR	PP-18P3321	36.00	24.00	12.00	33.00	21.00	37.00	13.00	38.00	102
PP-C3R363012HCR	PP-18P3327	36.00	30.00	12.00	33.00	27.00	37.00	27.00	38.00	103
PP-C3R423012HCR	PP-18P3927	42.00	30.00	12.00	39.00	27.00	43.00	27.00	44.00	113
PP-C3R363612HCR	PP-18P3333	36.00	36.00	12.00	33.00	33.00	37.00	27.00	38.00	119
PP-C3R423612HCR	PP-18P3933	42.00	36.00	12.00	39.00	33.00	43.00	27.00	44.00	131
PP-C3R483612HCR	PP-18P4533	48.00	36.00	12.00	45.00	33.00	49.00	27.00	50.00	153
PP-C3R603612HCR	PP-18P5733	60.00	36.00	12.00	57.00	33.00	61.00	27.00	62.00	176
PP-C3R303016HCR	PP-18P2727	30.00	30.00	16.00	27.00	27.00	31.00	27.00	32.00	105
PP-C3R483616HCR	PP-18P4533	48.00	36.00	16.00	45.00	33.00	49.00	27.00	50.00	155

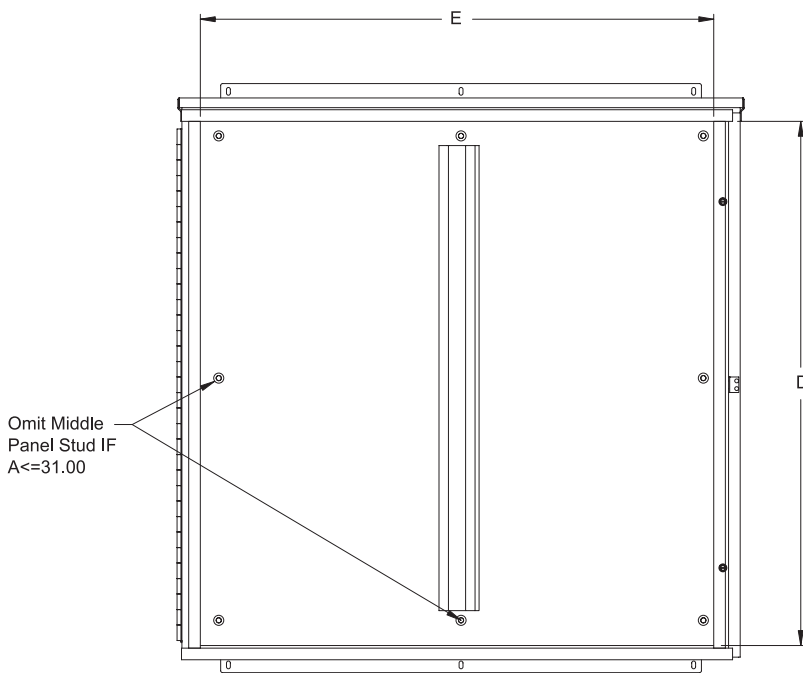
Dimensions



FRONT VIEW



SIDE VIEW



FRONT VIEW - COVER REMOVED

Specifications subject to change without notice.
Distech Controls, and the Distech Controls logo are trademarks of Distech Controls Inc. All other trademarks are property of their respective owner.
©, Distech Controls Inc., 2015. All rights reserved.