



# PP-C3R SC Series

NEMA 3R, Junction Box



## Features & Benefits

- ❑ Formed and spot welded from 16 or 14 gauge galvanized steel.
- ❑ Drip shield top and seam-free sides, front and back.
- ❑ Slip-on removable cover fastened with plated steel screws.
- ❑ Door handles on body type C enclosures.
- ❑ Embossed mounting holes on back of enclosure.
- ❑ Easily removed knockouts on bottom of enclosure.
- ❑ Padlocking hasp.
- ❑ No Gasket.

## Applications

- ❑ Designed for use as a wiring/junction box.
- ❑ Provides protection against rain, sleet, snow and dripping water.

## Finish

- ❑ Enclosure and cover are finished in ANSI 61 gray powder coating.

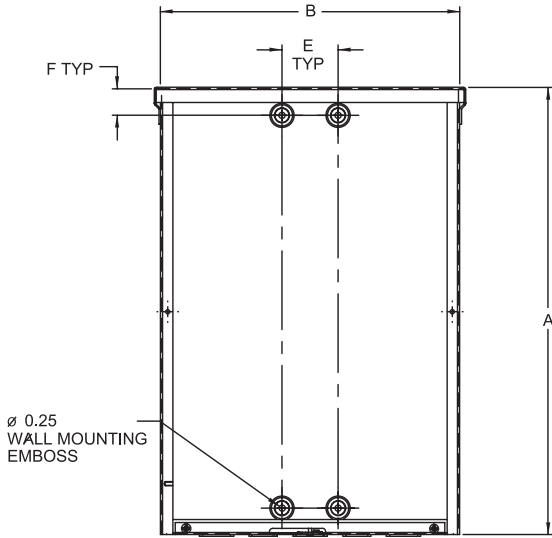
## Model Selection

Part No.	Body Type					Mounting		Knockout Pattern	Ship Wt. Lbs
		A	B	C	D	E	F		
PP-C3R444SC	A	4.00	4.00	4.00	-	1.88	2.00	2-3	2
PP-C3R644SC	A	6.00	4.00	4.00	-	1.88	1.06	2-3	2
PP-C3R1244SC	A	12.00	4.00	4.00	-	1.88	1.06	2-3	3
PP-C3R664SC	A	6.00	6.00	4.00	-	2.25	1.06	2-3-4	4
PP-C3R864SC	A	8.00	6.00	4.00	-	2.25	1.06	2-3-4	5
PP-C3R884SC	A	8.00	8.00	4.00	-	2.25	1.06	6-7-8-9	5
PP-C3R1084SC	A	10.00	8.00	4.00	-	2.25	1.06	6-7-8-9	7
PP-C3R1284SC	A	12.00	8.00	4.00	-	2.25	1.06	6-7-8-9	7
PP-C3R10104SC	A	10.00	10.00	4.00	-	2.25	1.06	3-4-5-6-7	7
PP-C3R12104SC	A	12.00	10.00	4.00	-	2.25	1.06	3-4-5-6-7	9
PP-C3R12124SC	A	12.00	12.00	4.00	-	2.25	1.06	3-4-5-6-7	10
PP-C3R18124SC	A	18.00	12.00	4.00	-	2.25	1.06	3-4-5-6-7	13
PP-C3R18184SC	B	18.00	18.00	4.00	-	13.00	1.12	1-2-3-4-5-6-7-8-9	19
PP-C3R666SC	A	6.00	6.00	6.00	-	2.25	1.06	2-3-4	5
PP-C3R1866SC	A	18.00	6.00	6.00	-	2.25	1.06	2-3-4	12
PP-C3R886SC	A	8.00	8.00	6.00	-	2.25	1.06	6-7-8-9	6
PP-C3R1086SC	A	10.00	8.00	6.00	-	2.25	1.06	6-7-8-9	11
PP-C3R10106SC	A	10.00	10.00	6.00	-	2.25	1.06	3-4-5-6-7	13
PP-C3R1286SC	A	12.00	8.00	6.00	-	2.25	1.06	6-7-8-9	11
PP-C3R12106SC	A	12.00	10.00	6.00	-	2.25	1.06	3-4-5-6-7	12
PP-C3R12126SC	A	12.00	12.00	6.00	-	2.25	1.06	3-4-5-6-7	12
PP-C3R15126SC	A	15.00	12.00	6.00	-	2.25	1.06	3-4-5-6-7	13
PP-C3R16126SC	A	16.00	12.00	6.00	-	2.25	1.06	3-4-5-6-7	14
PP-C3R18126SC	A	18.00	12.00	6.00	-	2.25	1.06	3-4-5-6-7	15
PP-C3R18186SC	B	18.00	18.00	6.00	-	13.00	1.12	1-2-3-4-5-6-7-8-9	16
PP-C3R24126SC	B	24.00	12.00	6.00	-	13.00	1.12	3-4-5-6-7	25
PP-C3R24186SC	B	24.00	18.00	6.00	-	13.00	1.12	1-2-3-4-5-6-7-8-9	33
PP-C3R24246SC	B	24.00	24.00	6.00	-	13.00	1.12	1-2-3-4-5-6-7-8-9	40
PP-C3R888SC	A	8.00	8.00	8.00	-	2.25	1.06	6-7-8-9	8
PP-C3R2488SC	A	24.00	8.00	8.00	-	2.25	1.06	6-7-8-9	17
PP-C3R12128SC	A	12.00	12.00	8.00	-	2.25	1.06	3-4-5-6-7	13
PP-C3R15128SC	A	15.00	12.00	8.00	-	2.25	1.06	3-4-5-6-7	14
PP-C3R18128SC	A	18.00	12.00	8.00	-	2.25	1.06	3-4-5-6-7	19
PP-C3R24168SC	B	24.00	16.00	8.00	-	13.00	1.12	3-4-5-6-7	22
PP-C3R18188SC	B	18.00	18.00	8.00	-	13.00	1.12	1-2-3-4-5-6-7-8-9	25
PP-C3R24188SC	B	24.00	18.00	8.00	-	13.00	1.12	1-2-3-4-5-6-7-8-9	38

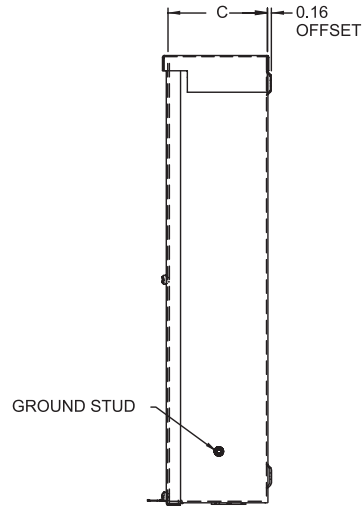
Part No.	Body Type					Mounting		Knockout Pattern	Ship Wt. Lbs
		A	B	C	D	E	F		
PP-C3R24188SC	B	24.00	18.00	8.00	-	13.00	1.12	1-2-3-4-5-6-7-8-9	38
PP-C3R24208SC	B	24.00	20.00	8.00	-	13.00	1.12	1-2-3-4-5-6-7-8-9	39
PP-C3R24248SC	C	24.00	24.00	8.00	-	13.00	1.12	1-2-3-4-5-6-7-8-9	44
PP-C3R30248SC	C	30.00	24.00	8.00	-	13.00	1.12	1-2-3-4-5-6-7-8-9	53
PP-C3R48368SC	C	48.00	36.00	8.00	-	33.00	1.50	1-2-3-4-5-6-7-8-9	150
PP-C3R181810SC	C	18.00	18.00	10.00	-	13.00	1.12	1-2-3-4-5-6-7-8-9	25
PP-C3R241810SC	C	24.00	18.00	10.00	-	13.00	1.12	1-2-3-4-5-6-7-8-9	38
PP-C3R242410SC	C	24.00	24.00	10.00	-	13.00	1.12	1-2-3-4-5-6-7-8-9	49
PP-C3R302410SC	C	30.00	24.00	10.00	-	13.00	1.12	1-2-3-4-5-6-7-8-9	55
PP-C3R242412SC	C	24.00	24.00	12.00	-	13.00	1.12	1-2-3-4-5-6-7-8-9	54
PP-C3R303012SC	C	30.00	30.00	12.00	-	27.00	1.50	1-2-3-4-5-6-7-8-9	125
PP-C3R363012SC	C	36.00	30.00	12.00	-	27.00	1.50	1-2-3-4-5-6-7-8-9	128
PP-C3R363012SC	C	36.00	30.00	12.00	-	33.00	1.50	1-2-3-4-5-6-7-8-9	130
PP-C3R303016SC	C	30.00	30.00	16.00	-	27.00	1.50	1-2-3-4-5-6-7-8-9	127
PP-C3R483616SC	C	48.00	36.00	16.00	-	33.00	1.50	1-2-3-4-5-6-7-8-9	155

# Dimensions

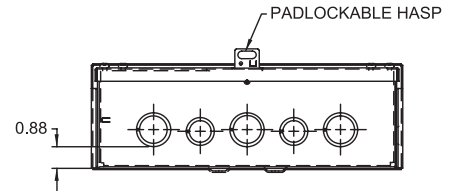
## Body Type A



**Front View - Cover Removed**

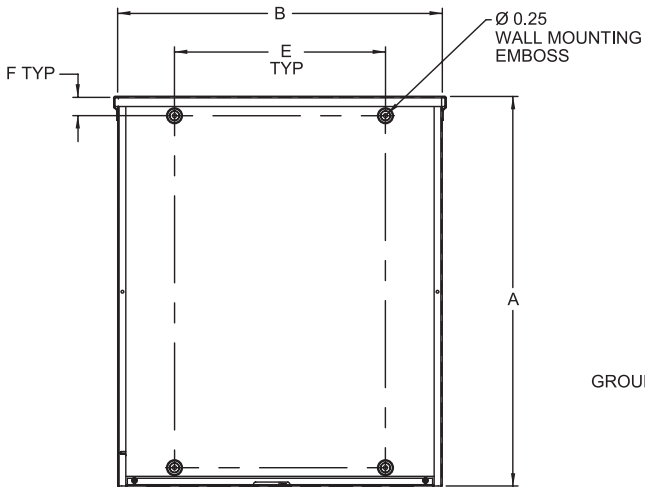


**Side View**

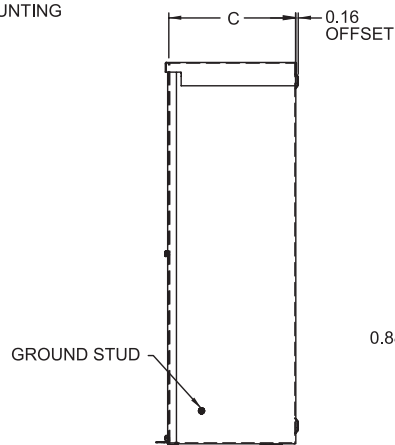


**Bottom View**  
(SEE KNOCKOUT PATTERN FOR DETAILS)

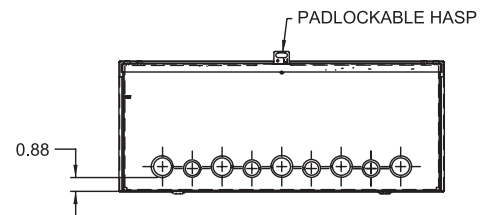
## Body Type B



**Front View - Cover Removed**

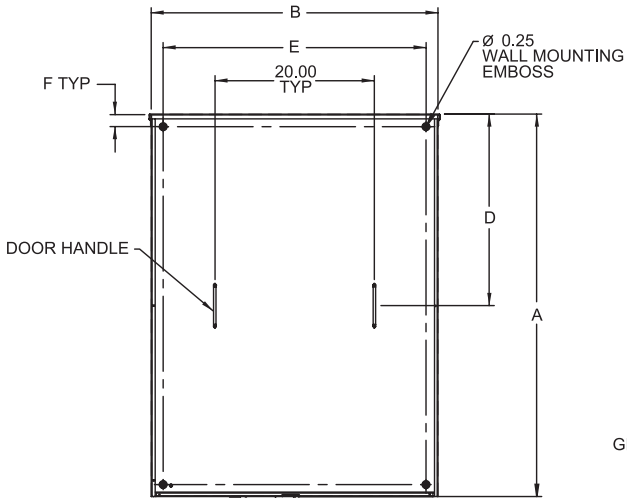


**Side View**

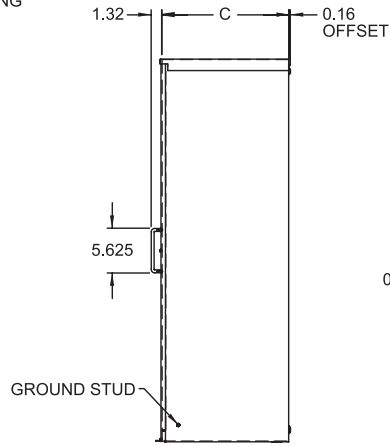


**Bottom View**  
(SEE KNOCKOUT PATTERN FOR DETAILS)

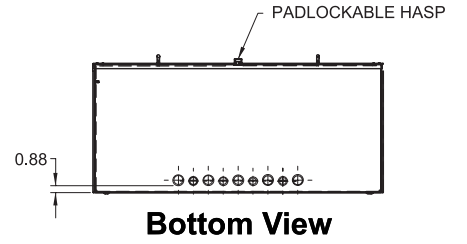
# Body Type C



**Front View - Cover Removed**

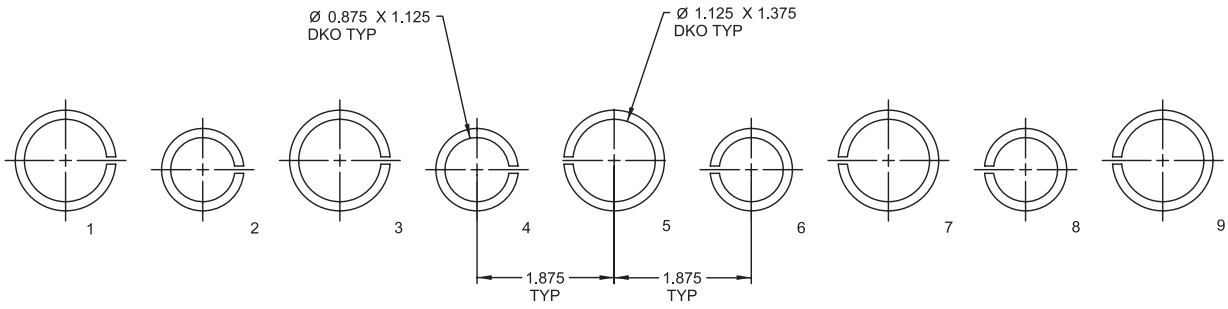


**Side View**



**Bottom View**

# Knockout Pattern



Specifications subject to change without notice.  
Distech Controls, and the Distech Controls logo are trademarks of Distech Controls Inc. All other trademarks are property of their respective owner.  
©, Distech Controls Inc., 2015. All rights reserved.