

N1WF - SERIES

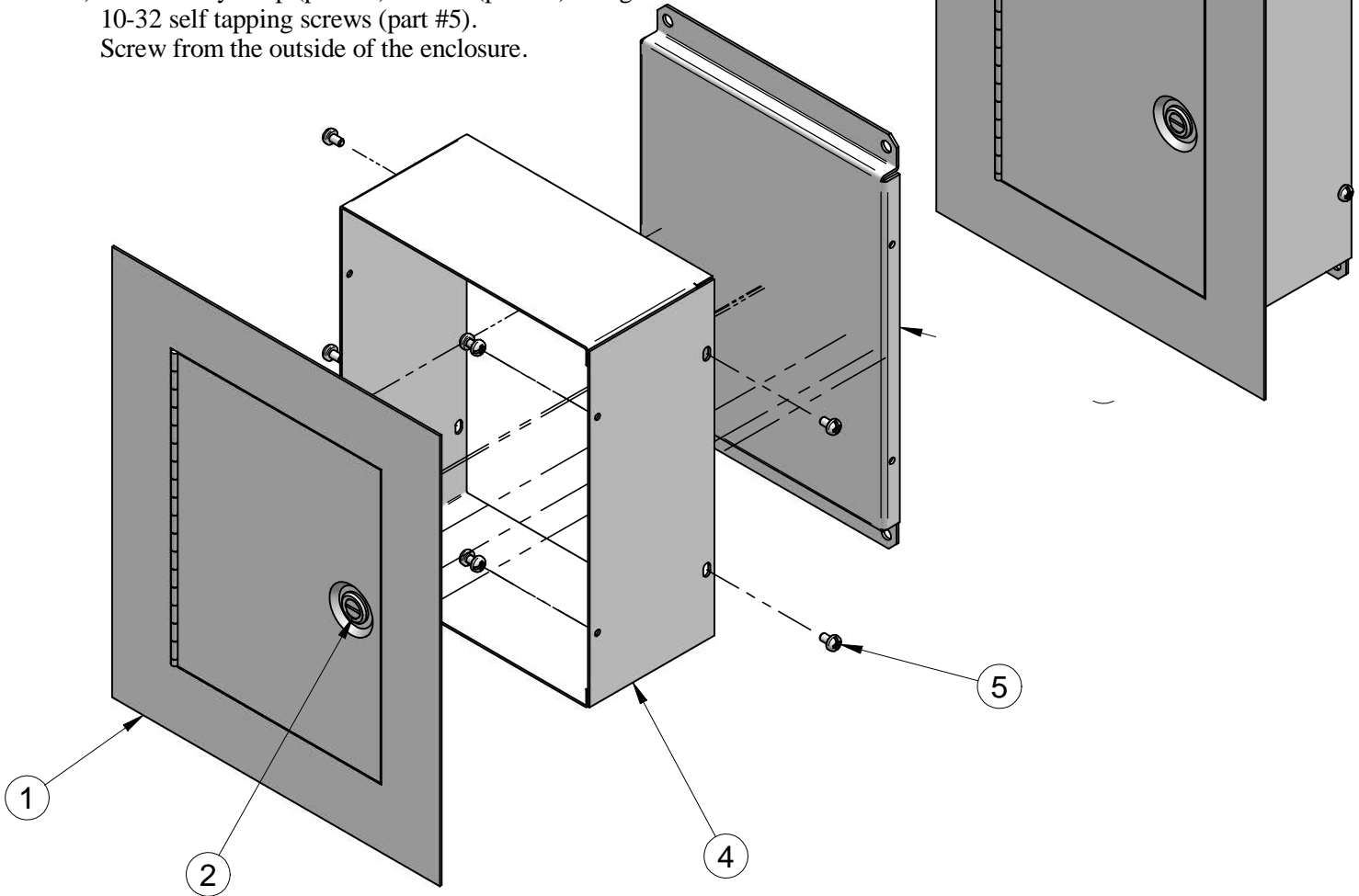
BUL10339

REV. B

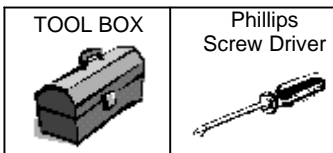
ASSEMBLY INSTRUCTIONS FOR FLUSH MOUNTING TYPE 1 PANEL ENCLOSURE

ASSEMBLY INSTRUCTIONS

- A) Attach body wrap (part #4) to cover assembly (part #1) using 10-32 self tapping screws (part #5). Screw from the inside of the enclosure.
- B) Attach body wrap (part #4) to base (part #3) using 10-32 self tapping screws (part #5). Screw from the outside of the enclosure.



Item Number	Quantity	Description
1	1	Cover Assembly
2	1	1/4 Turn Lock
3	1	Base
4	1	Body Wrap
5	8 or 10	Screw 10-32 X 5/16



**HAMMOND
MANUFACTURING™
ENCLOSURES**