



TS-FS Series

Low Limit Freeze Protection Switches



Overview

The TS-FS Low Limit Freeze Protection Switch series protects cooling coils in air handler systems by preventing frost build up on the coils. By sensing the lowest temperature along any 30 cm (1 foot) section of capillary, the DPDT manual or automatic reset relays signal the building management system, as well as cut off the fan. Set points can be adjusted as low as 1° C (34°F) utilizing the visual set point indicator and set point screw.

Applications

- Used to prevent frost build up on cooling coils

Features & Benefits

- Manual and auto reset relays
- Adjustable set points
- Includes mounting clips for easy installation

Model Selection

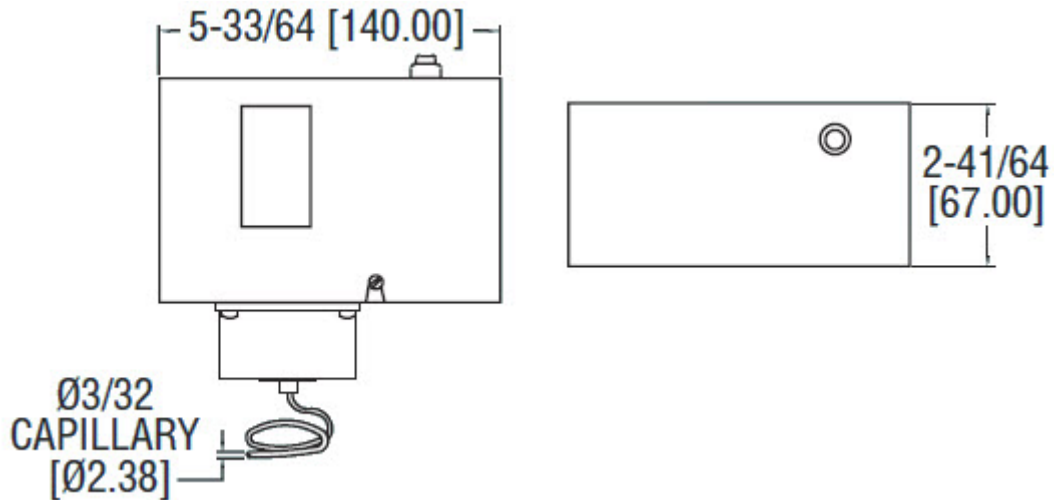
TS-FS-50-DIS	Manual reset; 20' (609 cm)
TS-FS-53-DIS	Automatic reset; 20' (609 cm)
TS-FS-61-DIS	Manual reset; 10' (305 cm)
TS-FS-64-DIS	Automatic reset; 10' (305 cm)

Product Specifications

Wetted Material _____ Vapor-filled copper capillary, 10' or 20'
Housing Material _____ Plated steel case, painted steel cover, plastic set point window
Temperature Limit:
 Operating _____ -60 to 160°F (-51 to 71°C)
 Sensing element _____ 300°F (149°C) max
Switch Type _____ 2XSPDT (DPDT) snap acting
Electrical Ratings:
 _____ Inductive: 14 FLA, 82 LRA, 3/4 hp @ 120VAC; 12 FLA, 72 LRA, 2 hp @ 240 VAC
 _____ Pilot Duty: 720 VA max. @ 120 to 600 VAC; 144 VA max. @ 24 VAC
Reset Action _____ Manual or automatic
Adjustable Range _____ 34 to 70°F (1 to 21°C)
Deadband _____ 4.5°F (2.5°C), fixed
Agency Approvals _____ cUL, UL, CE, RoHS



Dimensions



Specifications subject to change without notice.
Distech Controls, and the Distech Controls logo are trademarks of Distech Controls Inc. All other trademarks are property of their respective owner.
©, Distech Controls Inc., 2019. All rights reserved.