

<http://www.functionaldevices.com>

RIB023P

Enclosed Relay 20 Amp TPST-NO with 208-277Vac/dc Coil



Functional Devices, Inc. A600A 2003

GENERAL SPECIFICATIONS

Relays & Contact Type: One (1) TPST Continuous Duty Coil
Expected Relay Life: 10 million cycles minimum mechanical
Operating Temperature: -30 to 140° F
Operate Time: 20mS
Relay Status: LED On = Activated
Dimensions: 4" x 4" x 1.8" with 1/2" NPT nipple
Wire Length: 16", 600V Rated
Approvals: UL Listed, UL916, UL864, C-UL Canada
 California State Fire Marshal
Housing Rating: Plenum, NEMA 1
Gold Flash: No
Override Switch: No

CONTACT RATINGS

20 Amp resistive	300 Vac, 28 Vdc
15 Amp resistive	600 Vac
1 HP	120 Vac, 1 Ph
2 HP	240-277 Vac, 1 Ph
3 HP	480-600 Vac, 1 Ph
5 HP	240 Vac, 3 Ph
7.5 HP	480 Vac, 3 Ph
20 Amp Ballast	277-480 Vac
770 VA	120 Vac, 1 Ph
1158 VA	240 Vac, 1 Ph
1110 VA	277 Vac, 1 Ph
1640 VA	480 Vac, 1 Ph
1466 VA	240 Vac, 3 Ph
2112 VA	480 Vac, 3 Ph
Heavy Pilot Duty	600 Vac

COIL CURRENT

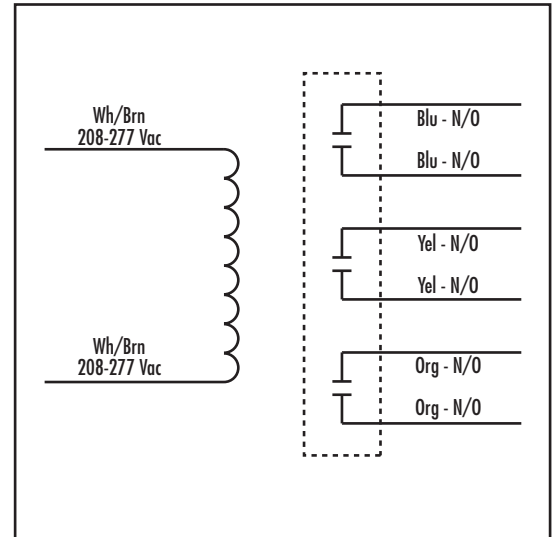
170 mA @ 208-277 Vac

COIL VOLTAGE INPUT

208-277 Vac; 50-60 Hz
 DROP OUT = 60 Vac
 PULL IN = 160 Vac

NOTES

Can be ordered Normally Closed by adding
 ".NC" to the end of the model name.



NOTES: