

T-3300

# Dual Temperature Dual Pressure Thermostat



## Description

The T-3300 Dual Temperature Dual Pressure Thermostat is designed to maintain space comfort in accordance with the temperature of air returning to a terminal air conditioning unit.

## Features

- includes external set point adjusting dial on top of cover
- features tabs for the pointer that permit restricting the temperature adjusting range
- factory calibrated for a nominal adjustment of  $\pm 7.5^{\circ}\text{F}$  ( $\pm 4^{\circ}\text{C}$ ) from a set point of  $75^{\circ}\text{F}$  ( $24^{\circ}\text{C}$ )

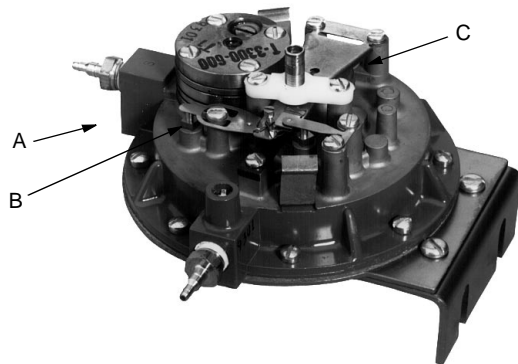
- mounts in a variety of positions with the attached bracket

## To Order

Specify the code number from the following selection chart.

## Selection Chart

Code Number	Description
T-3300-1	Direct Acting, 15 psig
	Reverse Acting, 20 psig
T-3300-2	Direct Acting, 20 psig
	Reverse Acting, 15 psig



## Accessories

Code Number	Callout	Description
T-3100-605	A	Supply Inlet Filter (Order in Multiples of 100)
T-4002-600	B	Control Port
T-275-602	C	Element Assembly Remote "B" Bulb
T-275-100		Bulb Holder
T-271-6000		Knob (Package of 2)