

T46 Series

# Fan Coil Thermostat



T46

## Description

The T46 Series Thermostat is used to control line voltage, fan coil, and heating zone valves on heating, cooling, and combination heating and cooling systems. Models are available with SPST or SPDT contact action for standard duty (nominal 1/4 hp, 6 amp non-inductive) applications. Thermostats are available with or without fan speed control or built-in thermometers. Various system switch combinations are available, including fan speed selection.

Field-installable faceplate combinations of knob or concealed adjustment are possible. Also, the T46 is available with or without thermometer indication. These thermostats have plastic locking covers with an Allen-head screw to discourage unauthorized tampering. Standard models are supplied with the thermostat faceplate installed with knob adjustment and thermometer.

## Features

- knob or concealed setpoint adjustment
- low and high temperature dial stops that are concealed and adjustable throughout setpoint range
- can be set for a locked dial
- narrow differential without the need for anticipator
- standard internal dual Celsius and Fahrenheit scales

- switch mechanism and wiring connections go into the switch box to isolate electrical circuits from the sensing element
- mounts on a standard double outlet box
- separable mounting plate allows easy mounting and wiring without removing thermostat cover
- locking cover reduces unauthorized tampering
- high-impact plastic enclosure
- smooth action multiposition slide switches for dependable service

## Applications

These thermostats control fan coil and zone heating valves on a wide variety of heating and cooling combinations for conditioned space.

## To Order

Specify the code number from the following selection chart.

## Electrical Ratings

Motor Ratings	120 V	208 V	240 V	277 V
<b>T46 System and Fan Switches</b>				
AC Full Load Amp	12.0	6.9	6.0	5.2
AC Locked Rotor Amp	34.8	19.1	17.4	14.4
AC Non-Inductive Amp	6.5	6.5	6.5	–
Pilot Duty—125 VA, 24 to 277 VAC				
<b>T46 Thermostat Only</b>				
AC Full Load Amp	6.0	3.5	3.0	–
AC Locked Rotor Amp	34.8	19.1	17.4	–
AC Non-Inductive Amp	6.5	6.5	6.5	–
Pilot Duty—125 VA, 24 to 277 VAC				

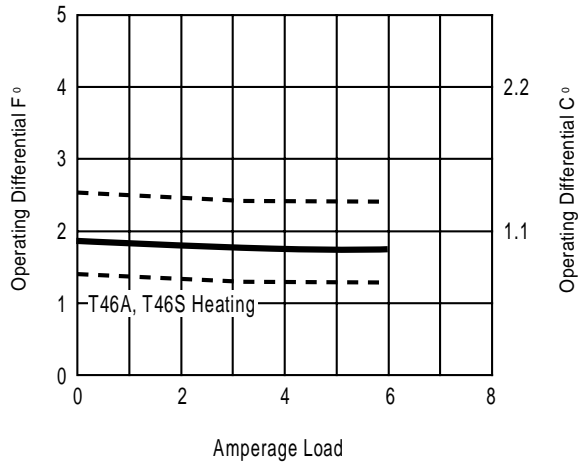
## Selection Chart

Code Number	System Switch	Fan Switch
<b>Heating</b>		
T46ABH-1	Auto-off-fan	None
T46ADH-1	Off-auto	None
<b>Cooling</b>		
T46JBH-1	Auto-off-fan	None
★ T46JDH-1	Off-auto	None
T46JEA-1	On-off	Low-med-high
<b>Heating and Cooling</b>		
T46SAA-1	Heat-off-cool	Low-med-high
T46SAH-1	Heat-off-cool	None
T46SDA-1	Off-auto	Low-med-high
T46SDH-1	Off-auto	None

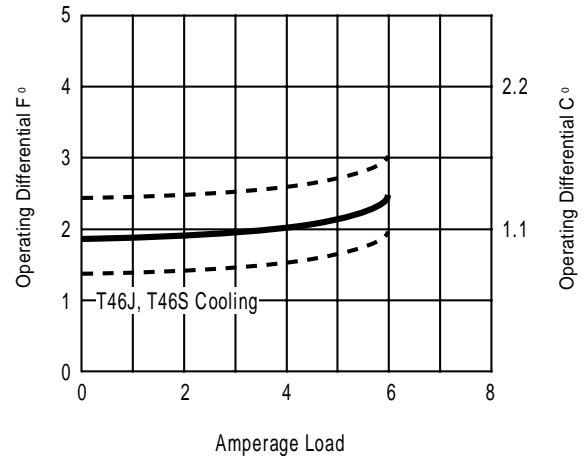
## Specifications

<b>T46 Series Fan Coil Thermostats</b>	
<b>Product</b>	T46 Line Voltage Thermostats
<b>Range</b>	<b>Thermostat</b> 40 to 90°F (5 to 30°C)
	<b>Thermometer</b> 50 to 90°F (10 to 30°C)
<b>Differential</b>	<b>Mechanical</b> Approximately 0.7°F (0.4°C)
	<b>Operating</b> See next page
<b>Finish</b>	<b>Cover</b> Almond
	<b>Faceplate</b> Gold metallic with dark brown border and lettering
<b>Mounting</b>	Double gang box, separable mounting plate
<b>Material</b>	<b>Base</b> 0.050 in. (1.27 mm) cold rolled steel
	<b>Cover</b> 0.090 in. (2.29 mm) high-impact plastic
<b>Sensing Element</b>	Liquid filled for positive trouble-free operation
<b>Shipping Weight</b>	<b>Individual Pack</b> 1 lb (0.45 Kg)
	<b>Overpack of 20 Units</b> 20 lb (9.07 Kg)
<b>Thermometer</b>	Bimetal type for accuracy and clarity, can be field-calibrated
<b>Wiring Connections</b>	Color coded No. 16 AWG wires, 8 in. long (203mm)

**T46 Series Fan Coil Thermostat (Continued)**



**Operating Differential for T46A and Heating Side of T46S**



**Operating Differential for T46J and Cooling Side of T46S**

The heavy line in each of the above figures is the nominal operating temperature differential. Production thermostats may vary from the norm, as indicated by the dotted line.

**Accessories**

Faceplate Selection				
Code Number	Mounting Position	Type of Adjustment	Thermometer Cutout	Temperature Scale
★PLT333-1R (a)	Vertical	Knob	Yes	Fahrenheit
PLT333-3R	Vertical	Concealed	Yes	Fahrenheit
★PLT333-5R	Vertical	Knob	Yes	Celsius
PLT333-12R	Vertical	Concealed	No	—

(a) Supplied with standard wholesaler models

**Note:** Faceplates must be ordered in multiples of 10

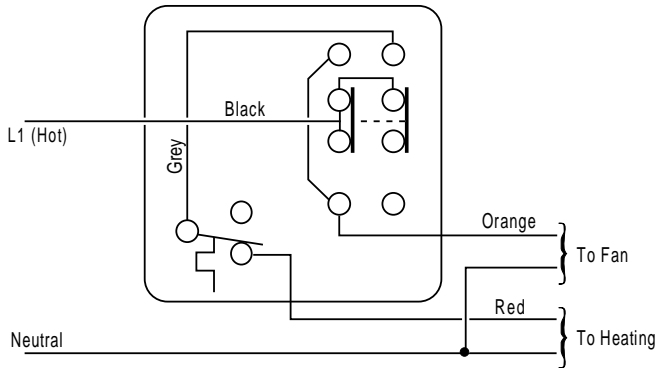
**Replacement Parts**

Code Number	Description
★CVR88A-600R	Thermostat Cover Assembly for knob adjustment models with thermometer, °F scale, faceplate supplied unassembled
★KNB26A-600R	Plastic push on knob for thermostat
★BKT48A-600R	Mounting plate for T46

**T46 Series Fan Coil Thermostat (Continued)**

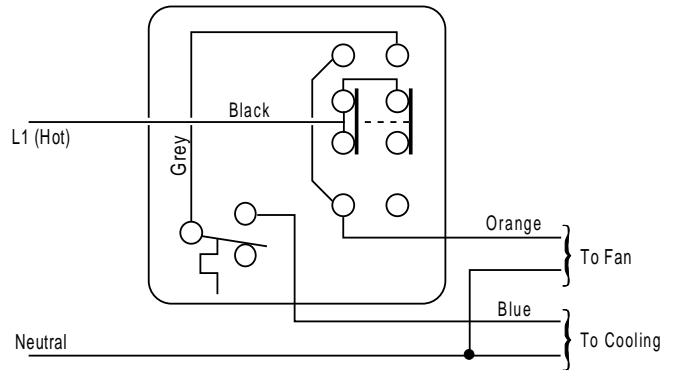
**Typical Wiring Applications**

**Heating**



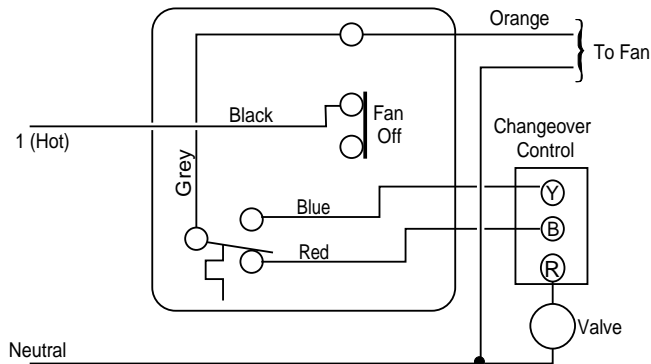
**T46ABH Auto-Off-Fan Selector Switch with Continuous Fan (Heating Only)**

**Cooling**



**T46JBH Auto-Off-Fan Selector Switch with Continuous Fan (Cooling Only)**

**Combination**



**T46SDH Off-Auto Selector Switch. Used on Fan-Coil Unit with Cycling Valve and Continuous Fan. Terminal Markings Shown for A19CAC Changeover Control (Heating and Cooling)**