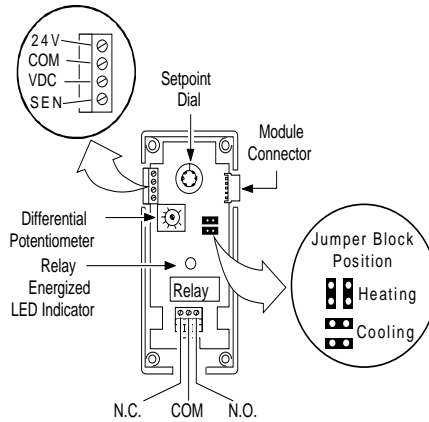


A350A/B Series

Electronic On/Off Temperature Control



A350



Features

- field selectable heat/cool mode
- adjustable setpoint and differential
- surface or DIN rail mounting
- LED indication of relay status
- 5-pin connectors eliminate wiring between modules

Accessories

The base silicon sensor (A99BC-25C, not immersible) is included with each A350A/B Control.

Applications

- frozen/refrigerated food cases
- space temperature control
- cooling tower control
- beverage coolers
- chiller staging

To Order

Specify code number from the selection chart below, along with additional staging, display, and power modules, and temperature sensing enclosures, if required.

Description

The A350A/B Series are On/Off temperature controls with a SPDT relay output and LED indication. These controls are used in conjunction with the A99B Series (PTC silicon) Temperature Sensors.

Two basic models cover a temperature range of -30 to 250°F with an adjustable differential of 1 to 30F°. A350A controls incorporate Fahrenheit scales; the A350B models have Celsius scales. The S350 Stage, D350 Display, and Y350R Power Modules can be used with the A350A/B.

Selection Chart

Code Number	Output	Range	Adj. Diff.	Offset	Sensor (Included)
A350AA-1C	SPDT Relay	-30 to 130°F	1 to 30F°	1 to 30F°	A99BC-25C
A350AA-2C		90 to 250°F			
A350AA-3C ^(a)		-30 to 130°F			
A350BA-1C		-35 to 55°C	0.5 to 17C°	0.5 to 17C°	
A350BA-2C		30 to 121°C			

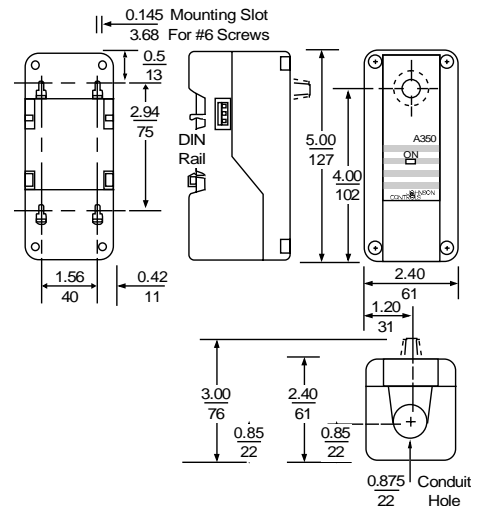
(a) Concealed setpoint, only adjustable by removing cover.

Specifications

A350 Series ON/OFF Temperature Control	
Product	A350AA On/Off Temperature Control with Fahrenheit scale A350BA On/Off Temperature Control with Celsius scale
Temperature Range	-30 to 130°F (-35 to 55°C); 90 to 250°F (30 to 121°C)
Differential Range	1 to 30F° (0.5 to 17C°)
Supply Voltage ^(a)	Transformer 20 to 30 VAC, 50/60 Hz, Class 2 Y350R 120/240 VAC, 50/60 Hz
Relays	SPDT enclosed relays, contacts rated at 10 amp, non-inductive (resistive), 1/2 hp 120/240 VAC
Power Consumption	1.4 VA Maximum
Ambient Temperature	Operating -30 to 150°F (-34 to 66°C) Shipping -40 to 185°F (-40 to 85°C)
Humidity	0 to 95% RH non-condensing
Case and Cover Material	NEMA 1, high-impact thermoplastic

(a) Only one voltage source may be used.

A350A/B Dimensions, in. (mm)



Relay Ratings

Voltage AC	120	208/240
Full Load Amp	9.8	4.9
Locked Rotor Amp	58.8	29.4
Non-Inductive Amp 10 at 24/240 VAC		
Pilot Duty --125 VA at 24/240 VAC		