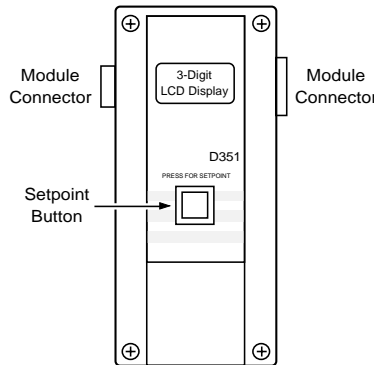


D351

Humidity Display Module



D351

Description

The D351 Digital Display Module is used in conjunction with the W351 and W351P Humidity Controls. A 3-digit LCD display provides continuous readout of the actual humidity sensed by the HE-67S3-0N0BT or HE-67S3-0N00P Series Humidity Transmitters. By pressing and holding the setpoint button for three seconds, the humidity setpoint will be displayed.

Features

- display of actual space humidity and setpoint
- remote display mounting with WHA29A cable (up to 50 ft)
- 5-pin connectors eliminate wiring between modules

Applications

- humidity indication (local or remote) in conjunction with the W351 and W351P Controls

To Order

Specify the code number from the following selection chart.

Selection Chart

Code Number	Display Range (% RH)	Display Characters
D351AA-1C	10 to 90% RH	0.35 in. LCD

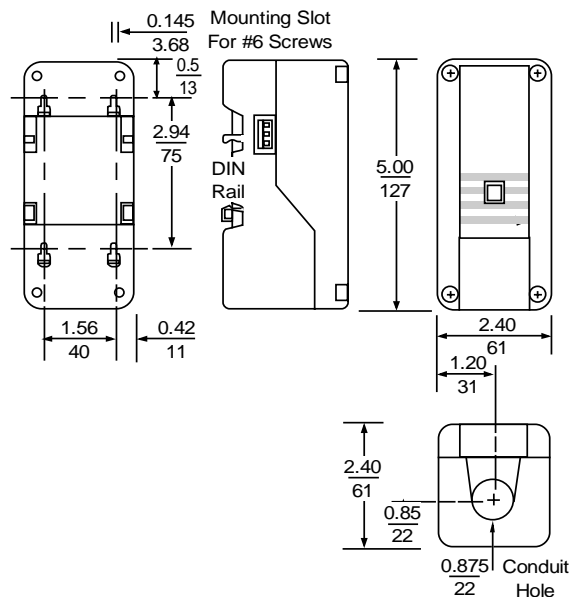
Accessories

For remote mounting of the D351 Display Module, specify the code number and cable length from the Accessories table below.

Code Number	Cable Length
WHA29A-600R	3 ft (0.9 m)
WHA29A-603R	25 ft (7.6 m)
WHA29A-604R	50 ft (15.2 m)

Specifications

D351 Humidity Display Module	
Read-out	3-Digit LCD continuous display
Supply Voltage	12 VDC provided by the W351 Humidity Control
Mounting	Wall or DIN Rail
Ambient Temperature	Operating -30 to 150°F (-34 to 66°C) Shipping -40 to 167°F (-40 to 75°C)
Ambient Humidity	0 to 95% RH non-condensing
Case and Cover Material	NEMA 1, high-impact thermoplastic



D351 Dimensions, in. (mm)