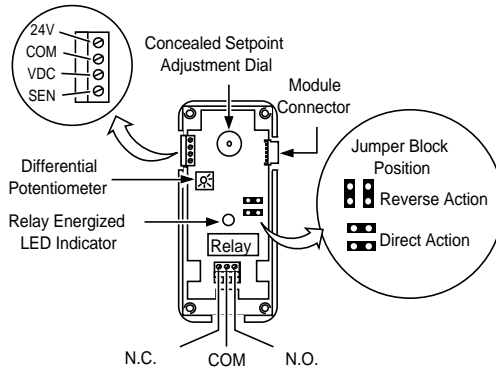


P352AB

Electronic On/Off Pressure Control



Features

- field selectable reverse/direct acting mode
- adjustable setpoint, differential, and offset capabilities
- wall or DIN rail mounting
- stage (S352), display (D352), and power (Y350R) modules plug-together via 5-pin connectors

Applications

- condenser fan cycling
- compressor unloading
- high pressure indication

To Order

Specify the code number from the following selection chart.

Description

The P352AB Electronic On/Off Pressure Control features SPDT relay output and LED indication. This control is used in conjunction with a pressure transducer and wiring harness. The pressure range is 0 to 600 psig with adjustable differential and offset ranges.

P352AB

The P352AB control can be used as a standalone device or in conjunction with accessory modules to control a wide variety of single and multi-stage HVAC and refrigeration applications.

The Y350 Power Module, S352 Stage Module, and D352 Display Module can be used with the P352AB.

Selection Chart

Code Number	Output	Pressure Range (psig)	Differential (psi)	Pressure Transducer and Cable	Display
P352AB-2C	SPDT Relay	0 to 100	2 to 50	P399AAA-1-200C or P399AAC-1-200C	D352AA-2C
P352AB-3C		90 to 250	10 to 100	P399BAA-1-200C or P399BAC-1-200C	
P352AB-4C		240 to 600		P399CAA-1-200C or P399CAC-1-200C	

Specifications

P352AB Electronic On/Off Pressure Control	
Supply Voltage (a)	Transformer 20 to 30 VAC, 50/60 Hz, Class 2 Y350R 120/240 VAC, 50/60 Hz
Power Consumption	2.3 VA Maximum
DC Power Supply	P352AB-2C P352AB-3C P352AB-4C 5 VDC provided to pressure transducer
Relay	SPDT enclosed relay, contacts rated at 10 amp non-inductive 1/2 hp 120/240 VAC
Case and Cover Material	NEMA 1, high-impact thermoplastic
Ambient Temperature	Operating -30 to 150°F (-34 to 66°C) Shipping -40 to 185°F (-40 to 85°C)
Ambient Humidity	0 to 95% RH non-condensing

(a) Only one input voltage source may be used.

Relay Contact Ratings

Voltage AC	120	208/240
Full Load Amp	9.8	4.9
Locked Rotor Amp	58.8	29.4
Non-Inductive Amp 10 at 24/240 VAC		
Pilot Duty – 125 VA at 24/240 VAC		

P352AB Dimensions, in. (mm)

