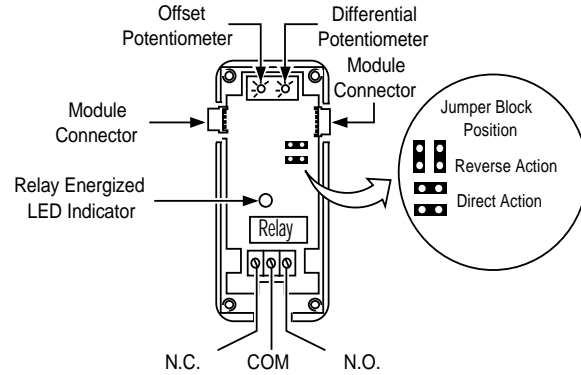


S352

# Pressure Stage Module



S352



## Description

The S352 Stage Module is used in conjunction with the P352 On/Off Pressure Control to add multi-stage capability. Using a Y350R, up to five S352s can be added to the P352 via the 5-pin plug-together connector. Using a 40 VA or greater external transformer, up to nine S352s can be added.

The S352 has a SPDT output relay and three adjustments including offset (stage setpoint), differential and mode (reverse or direct acting).

## Features

- reverse or direct acting mode, field selectable

- adjustable differential and offset
- 5-pin connector for easy installation

## Applications

- multiple staging of condenser fans

## To Order

Specify the code number from the following selection chart.

## Selection Chart

Code Number	Output	Differential Adjustment	Offset Adjustment
S352AA-2C	SPDT Relay	2 to 50 psi	2 to 50 psi

## Specifications

S352AA-2C Pressure Stage Module	
Differential Range	2 to 50 psi
Offset Range	2 to 50 psi
Supply Voltage	24 volt power supply provided by P352 or Y350R
Power Consumption	1 VA Maximum
Ambient Temperature	Operating -30 to 150°F (-34 to 66°C)
Shipping Temperature	-40 to 185°F (-40 to 85°C)
Humidity	0 to 95% RH non-condensing
Relay	SPDT enclosed relays. Contacts rated at 10 amp non-inductive, 1/2 hp, 120/240 VAC
Case and Cover Material	NEMA 1, high-impact thermoplastic
Mounting	Wall or DIN Rail

## Relay Contact Ratings

Voltage AC	120	208/240
Full Load Amp	9.8	4.9
Locked Rotor Amp	58.8	29.4
Non-Inductive Amp 10 at 24/240 VAC		
Pilot Duty – 125 VA at 24/240 VAC		

## S352 Dimensions, in. (mm)

