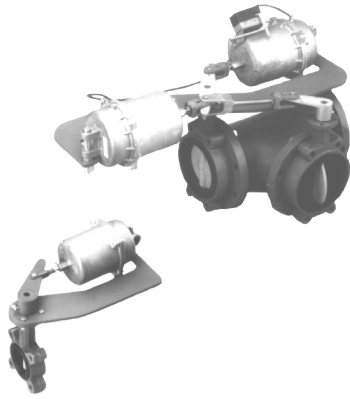


D-3153, D-3244, D-3246

# Pneumatic Actuators for VF Series Butterfly Valves



### Description

The D-3153, D-3244, D-3246 Pneumatic Actuators position the VF Butterfly Valve's disc in response to a pneumatic signal from a controller.

### Features

Easily field mounted to VF Series 2-way Butterfly Valves. Refer to mounting kits on *Linkage Kits for Field Coupling Johnson Controls Actuators to Johnson Controls Valves*.

### Applications

Used with *VF Series Butterfly Valve Bodies, 2 Through 20 in.*

### To Order

Specify code number from the selection chart shown below. Also, refer to *Pneumatic Valve and Actuator Selection Charts*.

### Repair Parts

Actuator Series	Replacement Diaphragm
D-3153 Series	D-315-600
D-3244 and D-3246 Series	D-3244-615

### Specifications

Pneumatic Actuators for VF Series Butterfly Valves	
Maximum Control Pressure	25 psig (175 kPa) maximum except D-3153 without positioner, 30 psig (210 kPa) maximum.
Temperature Limits	-20 to 150° F (-29 to 66° C)
Available Spring Range	8 to 13 psig (56 to 91 kPa)
Air Connection	1/8 in. NPT Barbed Fitting for 5/32 or 1/4 in. O.D. Poly tubing.

### Selection Chart

Code Number	Description	VF Series Butterfly Valve Size
D-3153-5120	Pneumatic Actuator with D-9502 positioner For use with VF Series Butterfly Valves	2, 2.5, 3 in. High Pressure, 4 in. Low Pressure
D-3153-5130	Pneumatic Actuator For use with VF Series Butterfly Valves	2, 2.5, 3 in. High Pressure, 4 in. Low Pressure
D-3244-5100	Pneumatic Actuator with D-9502 positioner For use with VF Series Butterfly Valves	4 in. High Pressure, 5 in. Low Pressure
D-3244-5110	Pneumatic Actuator For use with VF Series Butterfly Valves	4 in. High Pressure, 5 in. Low Pressure
D-3246-5100	Pneumatic Actuator with D-9502 positioner For use with VF Series Butterfly Valves	5 in. High Pressure, 6 in. High or Low Pressure, 8 or 10 in. Low Pressure
D-3246-5110	Pneumatic Actuator For use with VF Series Butterfly Valves	5 in. High Pressure, 6 in. High or Low Pressure, 8 or 10 in. Low Pressure