

Hawkeye® Solid-Core Adjustable Setpoint Current Switches 735 Series with Patented Integral Command Relay

COMMAND & STATUS IN A SINGLE DEVICE!



FIVE-YEAR
5
WARRANTY

US Patent No. 6,005,760

The Hawkeye 735 Series is the ideal solution for the automation installer. These units combine a current switch and relay into a single package, reducing the space required for total control of fans and pumps. The integral current switch and relay operate independently of one another. The 735-759 products facilitate the functions of start/stop and status with one device instead of two.

APPLICATIONS

- Starting/stopping and monitoring positive status of fan and pump motors
- Replaces pressure switches and other electromechanical devices

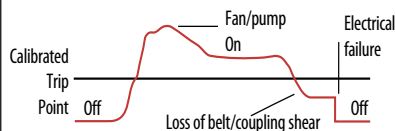
Combines command relay & fan/pump status sensor in a single, easy to install unit

- Reduces number of components installed—fits better in small starter enclosures
- Command relay and status in a single unit
- Replace pressure switches and other electromechanical devices
- Detect belt loss and motor failure...ideal for fan and pump status
- H748 features SPDT command relay

Now— one device does the job of two

- Reduced charges from electrician
- Relay and status LEDs for easy setup
- Polarity insensitive status output
- 1 to 135A adjustable setpoint for current sensor status
- 5-year limited warranty

Detects belt loss/coupling shear!



Now you can easily detect when drive belts slip, break, or pump couplings shear. In fact, a typical HVAC motor that loses its load has a reduction of current draw of up to 50%. That's why our sensors are the industry standard for status.



ORDERING INFORMATION

H735 Form A (SPST) 5(3)@250VAC,30VDC, 1/6HP...24VAC/DC 10mA Output: 0.1A@30VAC/DC N.O. Solid-State

(Command Relay: Contact...Coil)

H7

3 = Form A (SPST), 10(5)@250VAC,30VDC, 1/3HP...24VAC/DC 10mA

4 = Form C (SPDT), 8(3.5)@250VAC,30VDC, 1/4HP...24VAC/DC 10mA

5 = Form A (SPST), 10(5)@250VAC, 30VDC, 1/3HP...9-12VDC 20mA

(Status Output)

8 = 1.0A@30VAC/DC N.O. Solid State

9 = 0.2A@120VAC/DC N.O. Solid State

Example:

H7 

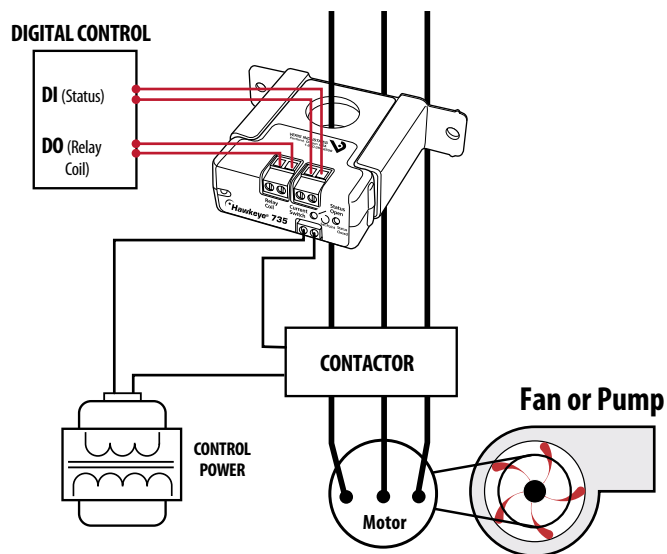
Available only on 735, 738, 748

ACCESSORIES

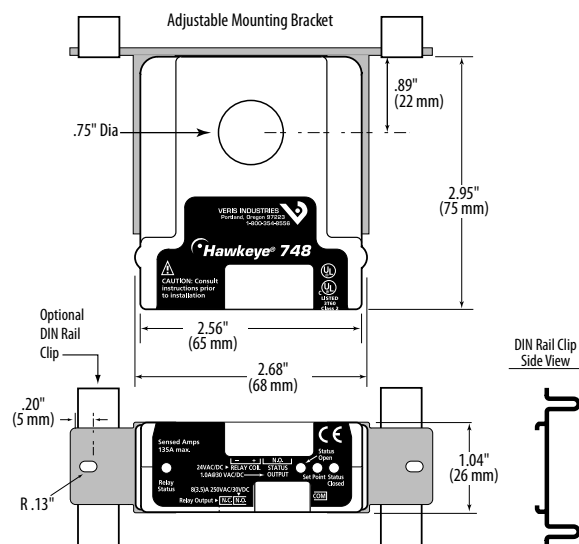
MODEL	DESCRIPTION
AH01	DIN Rail Mounting Clip Set
AH13	Relay Snubber (TVS)

APPLICATIONS/WIRING EXAMPLE

Monitoring & Controlling Motor Loads...New Construction



- A command relay and status sensor in a single unit; a clean, cost-effective solution for monitoring and controlling electrical loads
- All units feature status open and status closed LEDs for a meter-free calibration
- All units feature a relay power LED for easy indication of relay status

DIMENSIONAL DRAWINGS**SPECIFICATIONS**

Amperage Range	1-135A
Sensor Power	Induced
Output	Digital Switch (see ordering table)
Insulation Class	600VAC rms
Frequency Range	50/60Hz.
Temperature Range	-15° to 60°C
Humidity Range	0-95% non-condensing
Setpoint	Adjustable 1-135A
Hysteresis	10% Typical
Dimensions... (L x W x H)	2.95" x 2.68" x 1.04"
Sensor Opening Size	.75" Dia.