

<http://www.functionaldevices.com>

RIBMU15M

4" Track-Mount Relay 15 Amp SPST + Override + Monitor with 10-30Vac/dc/120Vac Coil



Functional Devices, Inc. A600A 2003

GENERAL SPECIFICATIONS

Relays & Contact Type: One (1) SPST Continuous Duty Coil
Expected Relay Life: 10 million cycles minimum mechanical
Operating Temperature: -30 to 140° F
Operate Time: 20mS
Relay Status: LED On = Activated
Dimensions: 2" x 4" x 1.75"
Approvals: UL Listed, UL916, UL864, C-UL Canada
 California State Fire Marshal
Gold Flash: Yes
Override Switch: Yes (with monitor)

CONTACT RATINGS

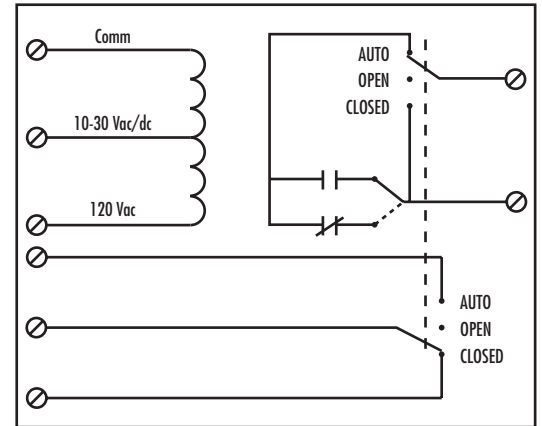
15 Amp Resistive	150 Vac
10 Amp Resistive	277 Vac
480 VA Pilot Duty	277 Vac
480 VA Ballast	277 Vac
600 Watt Tungsten	120 Vac N.O.
240 Watt Tungsten	120 Vac N.C.
1/3 HP for N.O.	120-240 Vac
1/6 HP for N.C.	120-240 Vac
1/4 HP for N.O.	277 Vac
1/8 HP for N.C.	277 Vac

COIL CURRENT

30 mA @ 10 Vac	12 mA @ 10 Vdc
32 mA @ 12 Vac	14 mA @ 12 Vdc
42 mA @ 24 Vac	16 mA @ 24 Vdc
50 mA @ 30 Vac	18 mA @ 30 Vdc
25 mA @ 120 Vac	

COIL VOLTAGE INPUT

10-30 Vac / dc, 120 Vac; 50-60 Hz
 DROP OUT = 2.1 Vac / 2.8 Vdc
 PULL IN = 9 Vac / 10 Vdc



NOTES

- Normally Open or Normally Closed selected by yellow jumper wire.
- Second pole of override switch can be connected to digital-in of controller to report position of override switch.
- Rating of second pole is 50 Vac/dc, 0.25 Amp max.

NOTES: