

RIBMU2C

4" Track-Mount Relays 15 Amp 2 SPDT with 10-30Vac/dc/120Vac Coil



Functional Devices, Inc. A600A 2003

GENERAL SPECIFICATIONS

Relays & Contact Type: Two (2) SPDT Continuous Duty Coil
Expected Relay Life: 10 million cycles minimum mechanical
Operating Temperature: -30 to 140° F
Operate Time: 20mS
Relay Status: LED On = Activated
Dimensions: 2.45" x 4" x 1.75"
Approvals: UL Listed, UL916, UL864, C-UL Canada
 California State Fire Marshal
Gold Flash: Yes
Override Switch: No

CONTACT RATINGS

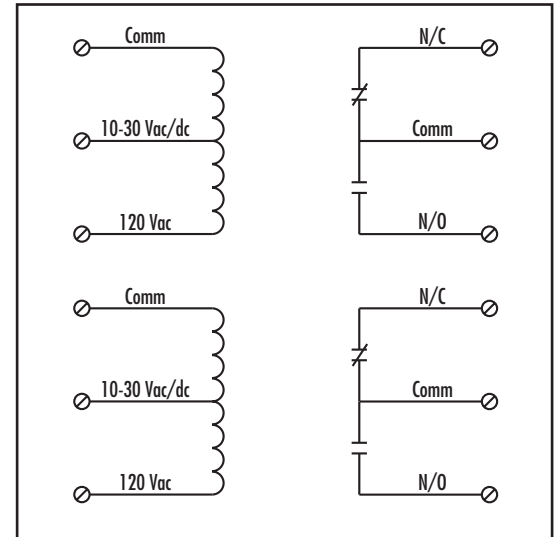
10 Amp Resistive	120-277 Vac, 28 Vdc
15 Amp Resistive	150 Vac, 28 Vdc
15 Amp Inductive	150 Vac
480 VA Pilot Duty	240-277 Vac
480 VA Ballast	277 Vac
600 Watt Tungsten	120 Vac N.O.
240 Watt Tungsten	120 Vac N.C.
1/3 HP for N.O.	120-240 Vac
1/6 HP for N.C.	120-240 Vac
1/4 HP for N.O.	277 Vac
1/8 HP for N.C.	277 Vac

COIL CURRENT

30 mA @ 10 Vac	12 mA @ 10 Vdc
32 mA @ 12 Vac	14 mA @ 12 Vdc
42 mA @ 24 Vac	16 mA @ 24 Vdc
50 mA @ 30 Vac	18 mA @ 30 Vdc
25 mA @ 120 Vac	

COIL VOLTAGE INPUT

10-30 Vac / dc, 120 Vac; 50-60 Hz
 DROP OUT = 2.1 Vac / 2.8 Vdc
 PULL IN = 9 Vac / 10 Vdc



NOTES: