

T-7900 Strap-On Line Voltage Thermostat for Heating-Cooling Changeover

The T-7900 Thermostat is designed for wiring in series with a space thermostat to provide automatic heating-cooling changeover on terminal air conditioning units. It consists of a single-pole, double-throw 3-wire switch and temperature sensor enclosed in a housing which protects the unit against damage from moisture or dirt. The unit is furnished with a mounting clip that facilitates strapping it onto a water pipe.

Operation

The T-7900 has fixed temperature switching points at 65°F (18°C) and 85°F (30°C). In a typical application, when the circulated water temperature in a terminal unit reaches 85°F, the T-7900 completes the circuit to the heating contact of the space thermostat. This allows the space thermostat to function only as a heating thermostat regardless of the setting chosen by the occupant. In a similar manner, the T-7900 completes the circuit to the cooling contact of the space thermostat when the circulated water temperature reaches 65°F. The space thermostat will then function only as a cooling thermostat.

Mounting

The T-7900 may be mounted in any position on the water pipe with the stainless steel spring clip provided. To assure accurate heat transfer, the surface of the pipe should be clean so that the T-7900 sensing element makes a good direct contact with the surface of the pipe.



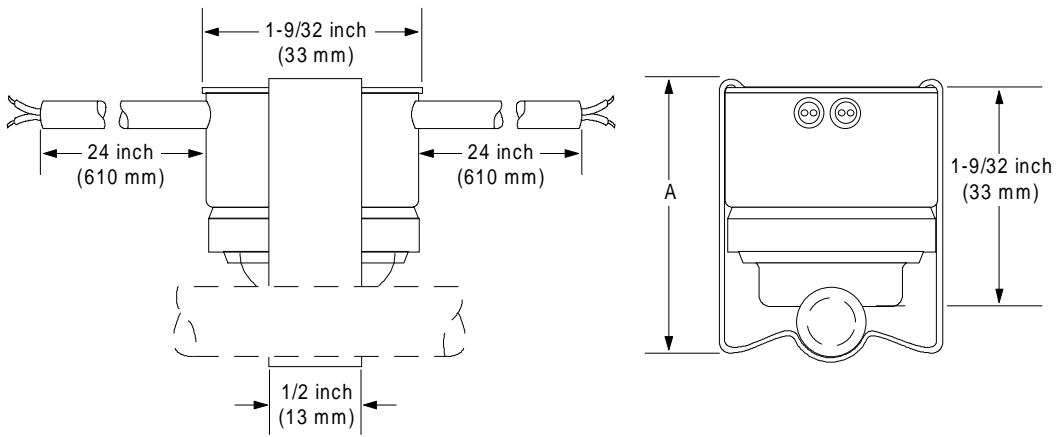
T-7900 Strap-On Thermostat

Wiring

The T-7900 is furnished with 24 in. color-coded insulated 16 AWG leads. The color-coding relates to the switch contacts -- black is common, red opens on a temperature rise, and brown closes on a temperature rise. All wiring must be in accordance with applicable electrical code requirements.

Table 1

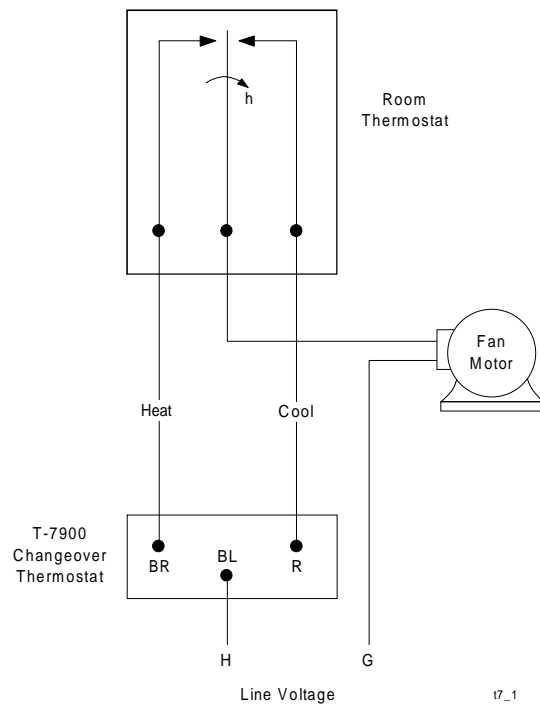
Maximum Motor Ratings	Leads	Contacts	120 Volts	240 Volts
AC Full Load Amperes	Black & Red	Open on Temp Rise	13	10
	Black & Brown	Close on Temp Rise	5.8	2.9
AC Locked Rotor Amperes	Black & Red	Open on Temp Rise	60	45
	Black & Brown	Close on Temp Rise	34.8	17.4



Size (in.)		A	
NOMINAL	OD	Inch	mm
3/8	1/2	1-11/16	43
1/2	5/8	1-13/16	46

t7900dm

Dimensions



t7_1

Typical Application



Controls Group
 507 E. Michigan Street
 P.O. Box 423
 Milwaukee, WI 53202

Printed in U.S.A.