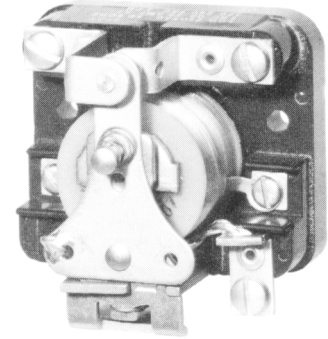


KZ-4000 General Purpose Relays

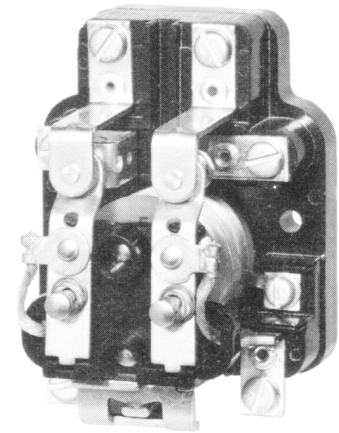
KZ-4000 General Purpose Relays are used to control large electrical loads from lower powered sources. Two relay contact arrangements are available; double-pole, double-throw and single-pole, double-throw. The nominal coil rating is 10 VA for all voltages. The self-wiping silver alloy contacts are rated for 25 ampere resistive loads and relay contact terminals are an integral part of the assembly.

Installation

KZ-4000 relays are designed for panel mounting. If an enclosure is required, a BZ-1000-11 enclosure must be ordered separately. Wiring connections are made to screw terminals on the relay. All wiring must be in accordance with applicable electrical code requirements.



SPDT Model

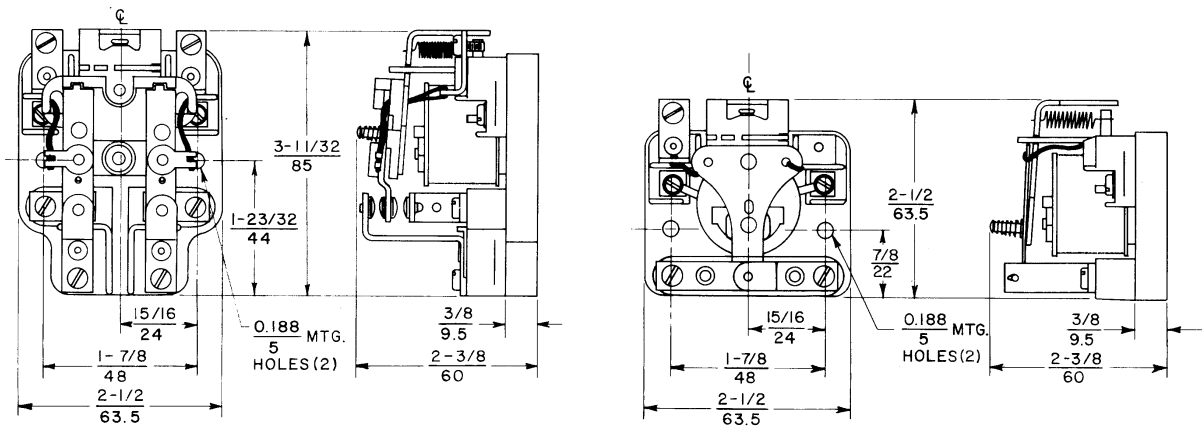


DPDT Model

Specifications

Product	KZ-4000 General Purpose Relays						
Models	Code No. Suffixes	-4	-5	-6	-7	-8	-9
	Coil Voltages (A.C.)	24	120	240	24	120	240
	Contacts	SPDT	SPDT	SPDT	DPDT	DPDT	DPDT
Coil Ratings	10 VA at 24, 120 or 240 volts, 50/60 Hz						
Pilot Duty Ratings	690 VA at 120 or 240 volts, 50/60 Hz						
Contact Load Ratings	25 Amperes (Resistive) or 1 HP (746 watts) at 120 or 240 volts, 50/60 Hz						

The performance specifications are nominal and conform to acceptable industry standards. For application at conditions beyond these specifications, consult the local Johnson Controls office. Johnson Controls, Inc. shall not be liable for damages resulting from misapplication or misuse of its products.



DPDT (left) and SPDT (right) Dimensions in./mm

Notes



Controls Group
507 E. Michigan Street
P.O. Box 423
Milwaukee, WI 53202

Printed in U.S.A.