

C-5226 Pneumatic Signal Transmitter

The C-5226 Signal Transmitter is a versatile auxiliary device designed for a wide variety of applications:

- **Signal Isolator or Repeater**
- **High Pressure Selector**
- **Low Pressure Selector**
- **High Signal Limiter**
- **Low Signal Limiter**
- **Differential Switchover Device**

The C-5226 operates at a 1:1 ratio to compensate for time lags and pressure drops inherent to long transmission lines. Minimal hysteresis gives the C-5226 a precise repeatability characteristic.

Mounting

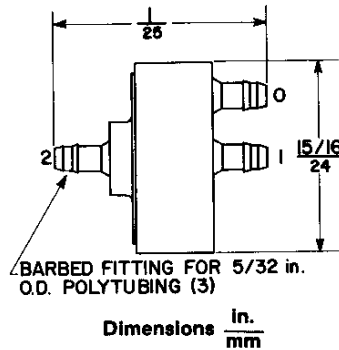
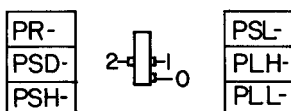
The C-5226 is designed for in-line mounting with barbed fittings for 5/32 in. O.D. polytubing. For jobs roughed in with 1/4 in. tubing, the C-5226 is furnished with 5/32 x 1/4 in. couplers and tubing connectors.

The C-5226 requires restricted air from a .005 or .007 in. restrictor. Check each application to see if the input to the C-5226 is from a low volume output controller or transmitter. If not, a restrictor must be ordered separately (see application drawings).

Repair Information

If the C-5226 fails to operate within its specifications, unit replacement is required. Field repairs cannot be made.

Application and Drawing Identification



**C-5226 Signal Transmitter
(Shown Actual Size)**

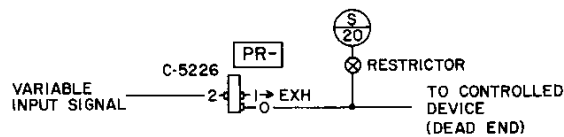


Fig. 1: C-5226 Used as a Signal Isolator or Repeater

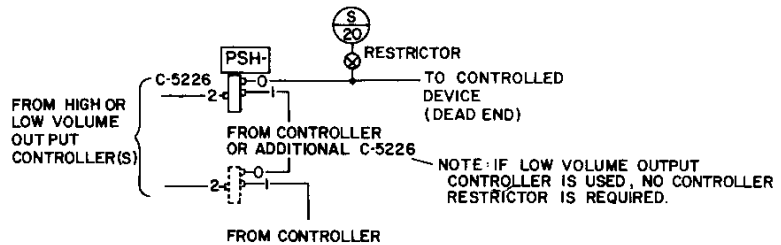


Fig. 2: C-5226 Used as a High Signal Selector

Specifications

Product	C-5226-3 Signal Transmitter
Action	Proportional, Direct Acting
Ratio	1:1
Maximum Pressure	25 PSIG (175 kPa)
Output Capacity and Air Consumption	25 SCIM (7 mL/s) with .005 in. Restrictor 45 SCIM (12 mL/s) with .007 in. Restrictor
Ambient Operating Temperature Limits	40 to 120F (5 to 50°C)
Ambient Storage Temperature Limits	-20 to 150F (-29 to 66°C)
Air Connections	Barbed Fittings for 5/32 in. O.D. Tubing With Couplers for 1/4 in. O.D. Tubing

The performance specifications are nominal and conform to acceptable industry standards. For application at conditions beyond these specifications, consult the local Johnson Controls office. Johnson Controls, Inc. shall not be liable for damages resulting from misapplication or misuse of its products.

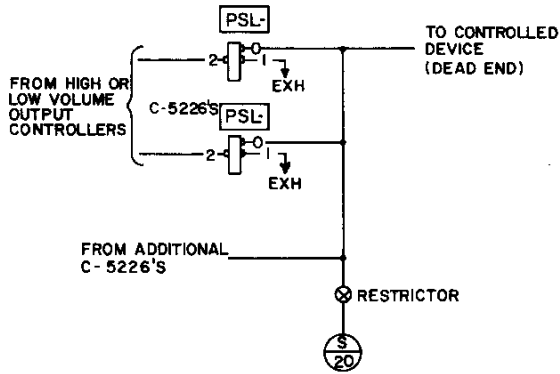


Fig. 3: C-5226 Used as a Low Pressure Selector

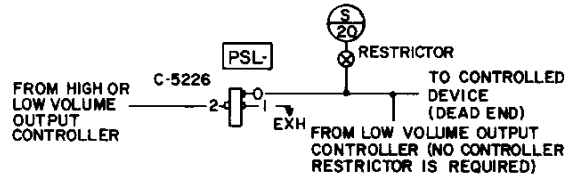


Fig. 4: C-5226 Used as a High Pressure Limiter

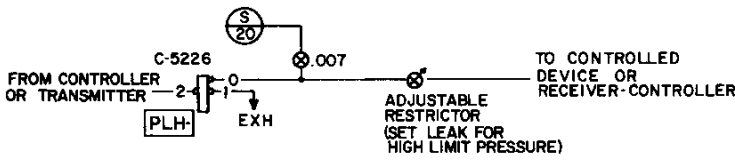


Fig. 5: C-5226 Used as a Low Pressure Limiter

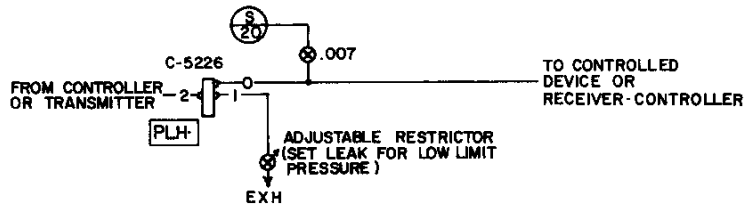


Fig. 6: C-5226 Used in a Differential Switchover Application

**JOHNSON
CONTROLS**

Controls Group
507 E. Michigan Street
P.O. Box 423
Milwaukee, WI 53202

Printed in U.S.A.